

# OUR EXPERTISE TO GUARD AGAINST INFECTIONS IN THE OR

**Our  
Commitment  
to you**

**Better  
Infection  
Protection**





# SOLUTIONS FOR SURGICAL SITE INFECTIONS

O&M Halyard offers a comprehensive range of surgical solutions designed to help reduce surgical site infections ranging from Surgical Drapes & Gowns, Face Masks to Sterilisation Wrap.



## DEPEND ON HALYARD EXPERTISE TO HELP GUARD AGAINST INFECTIONS IN THE OR

---

When you choose HALYARD\* Surgical Gowns, Drapes & Packs, you can be assured that you are selecting products that use innovative fabric technology and design to provide excellent strike-through resistance along with comfort.

O&M Halyard is committed to providing quality products that help reduce the toll infections take on patients, clinicians and facilities, assisting you in delivering optimal patient care.

Because we are as serious as you are about preventing infection in the OR, we have expanded our surgical gown and drape portfolio into multiple performance levels, to bring you a wide choice of protection without compromise on quality.

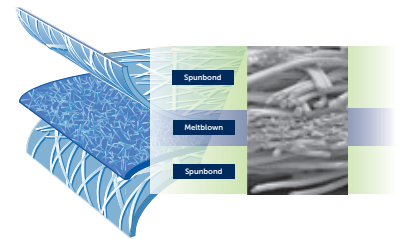
The products referenced in this catalogue do not contain natural rubber latex, nor is this material intentionally added during the manufacturing process.

## ADVANCED PROTECTION THROUGH SUPERIOR SMS

---

Halyard offers a extensive portfolio of Surgical Gowns, Drapes and Sterilisation Wrap based upon the HALYARD\* SMS technology (Spunbond, Meltblown, Spunbond). SMS is made up of three layers of polypropylene:

- The Spunbond outer layers provide exceptional strength and durability
- The Meltblown middle layer provides an effective barrier to bacteria and liquids
- The material has a low lint level, helping reduce the risk of contamination in the OR



## A WIDE PORTFOLIO OF GOWNS AND DRAPES DESIGNED TO OFFER THE RIGHT PROTECTION FOR DIFFERENT PROCEDURES

---

### Cost-effective solution for standard performance & protection

- For short duration, low fluid-intensive procedures
- For low risk, day & general surgery (minor procedures)

#### Basic Surgical Gowns

- HALYARD BASICS\* Standard gowns
- Standard SMS fabric

#### HALYARD BASICS\* Surgical Drapes & Packs

- Flexible, easy-to-use designs
- Reinforcement

### Best-value for enhanced performance & protection

- For low-to-moderate fluid-intensive procedures
- For low-to-moderate risk, general surgery

#### Standard Surgical Gowns

- EVOLUTION\* 4 Standard gowns
- ULTRA Standard gowns
- EVOLUTION\* 4 & ULTRA enhanced SMS fabric

#### Standard Surgical Drapes & Packs

- Wide selection for hundreds of different procedures
- CONTROL\* Plus Reinforcement

### Cost-effective for high performance & protection

- For more fluid-intensive procedures
- For moderate-to-high risk, specialised surgery

#### Reinforced Surgical Gowns

- ULTRA fabric-reinforced gowns

#### Reinforced Surgical Drapes & Packs

- Including ORTHOARTS<sup>†</sup> and CVARTS<sup>†</sup> drapes
- CONTROL<sup>†</sup> Plus Reinforcement

### Solution for high performance & perfection

- For long duration, high fluid-intensive procedures
- For complex, high risk specialised surgery

#### Protective Surgical Gowns

- AeroChrome<sup>†</sup>
- Cool Shield Core Technology, Aero Vent back
- Soft fabric S/F/SMS

## HALYARD<sup>†</sup> CPTs ARE PROFESSIONALLY TAILORED TO HELP FIT YOUR NEEDS<sup>1</sup>

### PRECISE

From fully customised trays to excellent value trays with functional equivalent components that helps meet your specifications. Based on your vision, our team can also help with tray standardisation.

### PROFESSIONAL

Assembled by CPT professionals at specialised CPT facilities, ensuring logical tray set-up and aseptic presentation in the OR.

### PREFERRED

HALYARD<sup>†</sup> Drapes and Gowns deliver an excellent balance of properties to keep your staff and patients protected in the OR:

- Fluid resistance
- Flame resistance
- Lint and abrasion resistance



<sup>1</sup>. Not available for the UK market.

# TABLE OF CONTENTS

## CONTENTS

### **ARCROYAL® CUSTOM PROCEDURE TRAYS** 10

---

CUSTOM PROCEDURE TRAYS .....	10
------------------------------	----

### **GENERAL SURGERY** 15

---

GENERAL SURGERY DRAPES .....	28
FENESTRATED DRAPES .....	28
U-DRAPES .....	32
BAR DRAPES .....	35
BOTTOM DRAPES .....	36
SIDE DRAPES .....	38
TOP DRAPES .....	39
ABSORBENT UNDERLEG DRAPES .....	40
SINGLE DRAPES .....	40
UTILITY DRAPES .....	42
LAPAROTOMY DRAPES .....	46
BREAST/CHEST DRAPES .....	48
LAPAROSCOPY DRAPES .....	49

### **ORTHOPAEDICS** 50

---

ORTHOPAEDIC PACKS .....	50
ORTHOPAEDIC DRAPES .....	62
ORTHOARTS® SPLIT / BAR DRAPES .....	62
IMPERVIOUS SPLIT DRAPES .....	62
EXTREMITY DRAPES .....	63
LOWER EXTREMITY DRAPES .....	63
UPPER EXTREMITY DRAPES .....	65
SHOULDER DRAPES .....	65
HAND DRAPES .....	66
HIP DRAPES .....	66
VERTICAL ISOLATION DRAPES .....	68
KNEE ARTHROSCOPY DRAPES .....	68
UNIVERSAL SPINE DRAPES .....	69
U-DRAPES .....	69

<b>GYNAECOLOGY &amp; OBSTETRICS</b>	70
GYNAECOLOGY & OBSTETRICS PACKS	70
GYNAECOLOGY & OBSTETRICS DRAPES	76
GYNAECOLOGY/UROLOGY DRAPES	76
C-SECTION DRAPES	76
LITHOTOMY DRAPES	78
<b>UROLOGY</b>	79
UROLOGY PACKS	79
UROLOGY PACKS & DRAPES	80
UROLOGY DRAPES	81
<b>OPHTHALMOLOGY</b>	82
OPHTHALMOLOGY PACKS	82
OPHTHALMOLOGY DRAPES	83
<b>ENT</b>	86
ENT PACKS	86
ENT DRAPES	88
ENT DRAPES	88
HEAD DRAPES	88
DENTAL DRAPES	88
<b>NEUROLOGY</b>	89
CRANIOTOMY DRAPES	89
<b>CARDIOVASCULAR &amp; ANGIOGRAPHY</b>	90
CARDIOVASCULAR & ANGIOGRAPHY PACKS	90
CARDIOVASCULAR DRAPES	93
CARDIOVASCULAR & ANGIOGRAPHY DRAPES	94
ANGIOGRAPHY DRAPES	97

<b>CATHETER PLACEMENT</b>	103
CATHETER PLACEMENT DRAPES .....	103
<b>PAEDIATRICS</b>	104
PAEDIATRICS PACKS .....	104
PAEDIATRICS DRAPES .....	108
FENESTRATED DRAPES .....	108
BREAST/CHEST DRAPES .....	109
ANGIOGRAPHY DRAPES .....	109
BABY BLANKETS .....	109
<b>EQUIPMENT COVERS</b>	110
MAYO STAND COVERS .....	110
STOOL COVERS .....	110
BACK TABLE COVERS .....	111
<b>ACCESSORIES</b>	112
UNDER BUTTOCKS DRAPES .....	112
CLEAR DRAPES .....	112
PERINEAL COVER DRAPES .....	113
IMPERVIOUS STOCKINETTES .....	113
ARMBOARD COVERS .....	114
LEGGINGS .....	114
TOWELS .....	114
TAPE STRIPS .....	115
SLEEVES .....	115
POUCHES .....	115
FOOT COVERS .....	116
PITCHER .....	116
ROOM TURNOVER KITS .....	117

<b>HALYARD BASICS*</b>	118
HALYARD BASICS* SURGICAL GOWNS .....	118
<b>EVOLUTION* 4</b>	119
EVOLUTION* 4 SURGICAL GOWNS .....	119
<b>ULTRA</b>	121
ULTRA SURGICAL GOWNS .....	121
<b>VALUESELECT*</b>	123
VALUESELECT* SURGICAL GOWNS .....	123
<b>AERO CHROME*</b>	124
AERO CHROME* SURGICAL GOWNS .....	124
<b>OPERATING ROOM SAFETY PRODUCTS</b>	125
SAFETY PRODUCTS .....	125
LIGHT HANDLE COVERS .....	125
NEEDLE COUNTERS .....	126
INSTRUMENT PADS .....	127
EQUIPMENT COVERS .....	128
SAFETY ACCESSORIES .....	131
ENDOSCOPY, LAPAROSCOPY & ELECTROSURGICAL PRODUCTS .....	133
TEMPERATURE MANAGEMENT .....	134
<b>HOLLOWARE MULTIPURPOSE BOWLS, BASINS AND TRAYS</b>	135
<b>INDEX BY CODE</b>	138

# ARCROYAL® CUSTOM PROCEDURE TRAYS

## CUSTOM PROCEDURE TRAYS

---

Owens & Minor's ArcRoyal® Custom procedure trays include all single-use medical devices needed for a specific surgical procedure.

As a brand neutral supplier, we work with all the leading manufacturers of CPT components across the globe to ensure we have the broadest range of components and the highest quality components available, whatever the procedure. You, the customer, can choose every single component contained within an ArcRoyal®CPT.



## WHY ARCROYAL® CPTS ARE DIFFERENT:

### WE DELIVER GENUINE SERVICE

#### Our Promise to our Customers:

- No Substitution of Branded Products - No Surprises in the Operating Room!
- Efficient Revision Turnaround - Reductions in Non-Use and Wastage
- World Class Quality & IT Support - Quality you can rely on time & time again

Service is in our DNA

### WE DELIVER REAL CHOICE

#### Customer Choice:

- We have the broadest range of components
- We offer multiple drapes and gown solutions
- Our global sourcing team is dedicated to locating high quality value options
- We are a brand neutral supplier

Your Tray. Your Way

### WE DELIVER ABSOLUTE QUALITY

#### Quality First & Always:

- Proprietary Systems: VidViz - Visual Bill of Materials
- Highest Standards of Cleanroom Control - Full gowning procedures in place
- Meticulous Attention to Detail - Components individually approved for inclusion

We build quality into everything we do

### WE DELIVER ON TIME, EVERY TIME

#### Our Culture:

Owens & Minor teammates go the extra mile for the customer, doing everything in our power to ensure the product is made right, packed right, shipped right and delivered right - and is on time, every time through our network of distribution centres.

Customer satisfaction is paramount



## CUSTOM PROCEDURE TRAYS

---

### COMPONENT CHOICE:

---

With an ArcRoyal® Custom procedure tray you have greater choice, as you decide exactly on your component mix, including the brand of drapes and gowns you prefer.



### FIELD OF APPLICATION

---

At Owens & Minor, we offer both surgical and minor Custom Procedure Trays. These span the following areas:

Robotics, Orthopaedics, Cardiology/Vascular, Cath Lab, Labour and Delivery, Laparoscopic, Gastric, Trauma, General Surgery, Neurology, Plastics, ENT, Angiography, Ophthalmology, and Gynaecology.



### ARCROYAL® CPT'S - MANUFACTURED TO HIGHEST QUALITY STANDARDS

Owens & Minor is committed to providing our customers with quality products and services in a timely and cost effective manner. To achieve this, we constantly strive to measure, analyse and improve quality in all aspects of our business, through a comprehensive Quality Management System developed to comply with the requirements of:

- ISO/EN 13485:2016 standards
- Annex V and Annex VII of the Medical Device Directive (93/42/EEC)
- All the relevant regulations of EMEA countries into which we supply our CPTs

Each individual component included in our CPT's is CE-marked and subject to a rigorous quality and testing procedure.

We have an extensive system of traceability in place, with every pack and every individual component therein traceable back to a specific vendor batch.

Within our Class 8 cleanroom facility we have developed a proprietary visual Bill of Materials IT system which ensures that all components are included in each pack and assembled exactly according to customer specification and preference.

### GUARANTEED STERILITY MAINTENANCE OF ARCROYAL® CPT'S

ArcRoyal® CPTs are sterilised after they have been assembled, boxed and prepared for final shipping. Sterility is maintained by specialised Tyvek packaging according to the packaging standard ISO 11607-1:2020. Our sterilisation system is compliant with ISO 11135-1:2014, and all chambers used for product sterilisation across various facilities have been validated.

Owens & Minor controls all transport to and from the steriliser, with all steriliser and freight suppliers subject to our strict validation processes.



# CUSTOM PROCEDURE TRAYS

---

## PROPERTIES

---

- ArcRoyal® Custom procedure trays contain a selection of customised single-use medical devices required for a specific surgical procedure.
- All trays are assembled exactly to clinician and hospital specifications and open sequentially as required.
- ArcRoyal® Custom procedure trays are presented in surgically compliant packaging which is compact and storage-friendly.
- All ArcRoyal® Custom procedure trays are sterile and ready for immediate use.



## BENEFITS

---

- Reduced set-up time: fewer products to open, freeing up theatre staff for other duties.
- More efficient product ordering: fewer products to order, resulting in more streamlined ordering and stock control processes.
- Waste Reduction: less packaging to dispose.
- Cost Saving: few component costs per procedure to track, resulting in more efficient cost control.
- Greater Safety: Presented in an easy sterilised format to reduce the risk of contamination.
- Quality Certification: All ArcRoyal® Custom Procedure Trays are ISO/EN 13485:2003 and ISO 9001:2008 certified, and fully compliant with European Medical Device Directives.
- Greater Traceability: Every component used in an ArcRoyal Custom Procedure Tray can be traced back to a specific vendor batch.

# GENERAL SURGERY

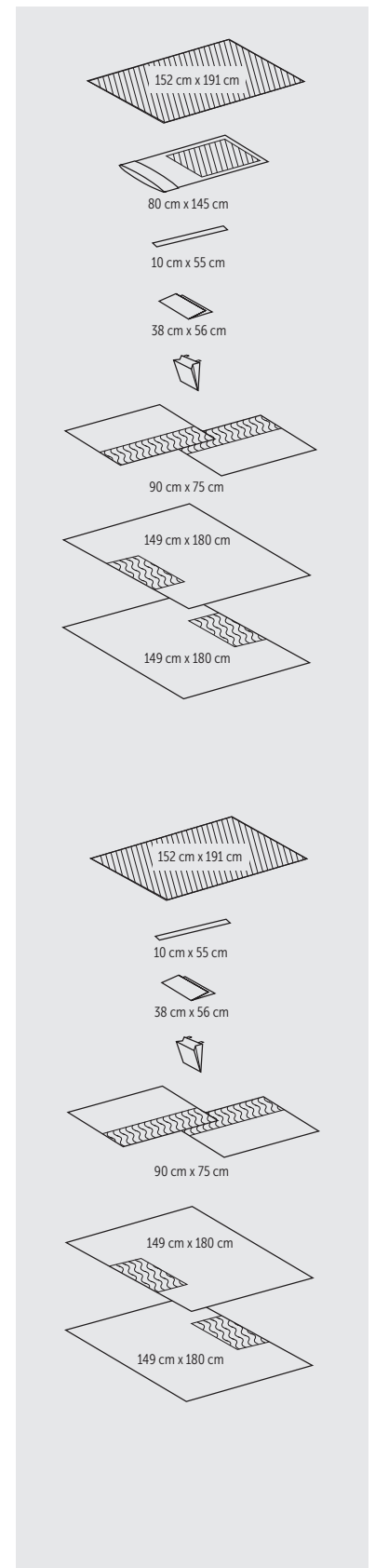
## GENERAL SURGERY PACKS

### UNIVERSAL PACK, SMALL

CODE	DESCRIPTION		ITEMS/CASE
<b>88762</b>	Universal Pack, Small, incl. Mayo Stand Cover		11
STERILE	NON-STERILE	CONTENTS	
-	-	1 Sterilisation Wrap 96 x 96 cm	
<b>89603</b>	79603	1 Mayo Stand Cover 80 x 145 cm	
<b>42222</b>	42428	1 Back Table Cover, Reinforced 152 x 191 cm	
<b>89053</b>	79053	1 Tape Strip 10 x 55 cm	
<b>89701</b>	79720	1 Absorbent Towel 38 x 56 cm	
-	-	1 Suture Bag	
-	-	2 Side Drapes 90 x 75 cm: • Positioning Tape, 2.5 cm width • CONTROL <sup>+</sup> Fabric Reinforcement	
-	79214	1 Bottom Drape 149 x 180 cm: • Positioning Tape, 2.5 cm width • CONTROL <sup>+</sup> Fabric Reinforcement	
-	79215	1 Top Drape 149 x 180 cm: • Positioning Tape, 2.5 cm width • CONTROL <sup>+</sup> Fabric Reinforcement	

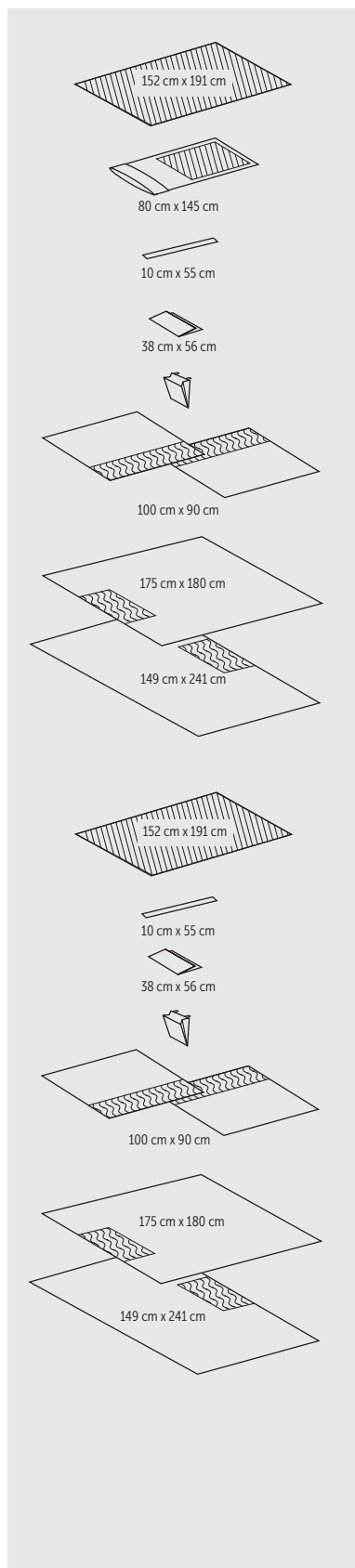
### UNIVERSAL PACK, SMALL

CODE	DESCRIPTION		ITEMS/CASE
<b>88763</b>	Universal Pack, Small, excl. Mayo Stand Cover		11
STERILE	NON-STERILE	CONTENTS	
-	-	1 Sterilisation Wrap 96 x 96 cm	
<b>42222</b>	42428	1 Back Table Cover, Reinforced 152 x 191 cm	
<b>89053</b>	79053	1 Tape Strip 10 x 55 cm	
<b>89701</b>	79720	1 Absorbent Towel 38 x 56 cm	
-	-	1 Suture Bag	
-	-	2 Side Drapes 90 x 75 cm: • Positioning Tape, 2.5 cm width • CONTROL <sup>+</sup> Fabric Reinforcement	
-	79214	1 Bottom Drape 149 x 180 cm: • Positioning Tape, 2.5 cm width • CONTROL <sup>+</sup> Fabric Reinforcement	
-	79215	1 Top Drape 149 x 180 cm: • Positioning Tape, 2.5 cm width • CONTROL <sup>+</sup> Fabric Reinforcement	



All codes in **bold** indicate a sterile product.

# GENERAL SURGERY PACKS



## UNIVERSAL PACK, LARGE

CODE	DESCRIPTION		ITEMS/CASE
<b>88764</b>	Universal Pack, Large, incl. Mayo Stand Cover		10
	STERILE	NON-STERILE	CONTENTS
	-	-	1 Sterilisation Wrap 96 x 96 cm
<b>89603</b>		79603	1 Mayo Stand Cover 80 x 145 cm
<b>42222</b>		42428	1 Back Table Cover, Reinforced 152 x 191 cm
<b>89053</b>		79053	1 Tape Strip 10 x 55 cm
<b>89701</b>		79720	1 Absorbent Towel 38 x 56 cm
	-	-	1 Suture Bag
	-	79216	2 Side Drapes 100 x 90 cm: • Positioning Tape • CONTROL* Fabric Reinforcement
	-	79217	1 Bottom Drape 175 x 180 cm: • Positioning Tape • CONTROL* Fabric Reinforcement
	-	79218	1 Top Drape 149 x 241 cm: • Positioning Tape • CONTROL* Fabric Reinforcement

## UNIVERSAL PACK, LARGE

CODE	DESCRIPTION		ITEMS/CASE
<b>88765</b>	Universal Pack, Large, excl. Mayo Stand Cover		10
	STERILE	NON-STERILE	CONTENTS
	-	-	1 Sterilisation Wrap 96 x 96 cm
<b>42222</b>		42428	1 Back Table Cover, Reinforced 152 x 191 cm
<b>89053</b>		79053	1 Tape Strip 10 x 55 cm
<b>89701</b>		79720	1 Absorbent Towel 38 x 56 cm
	-	-	1 Suture Bag
	-	79216	2 Side Drapes 100 x 90 cm: • Positioning Tape • CONTROL* Fabric Reinforcement
	-	79217	1 Bottom Drape 175 x 180 cm: • Positioning Tape • CONTROL* Fabric Reinforcement
	-	79218	1 Top Drape 149 x 241 cm: • Positioning Tape • CONTROL* Fabric Reinforcement

All codes in **bold** indicate a sterile product.

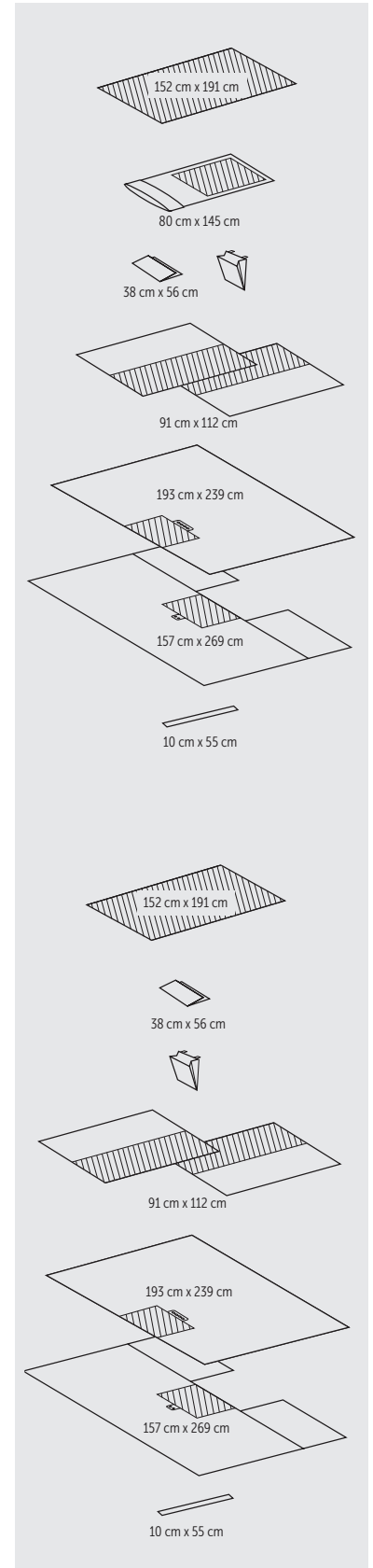
# GENERAL SURGERY PACKS

## UNIVERSAL PACK PLUS

CODE	DESCRIPTION		ITEMS/CASE
<b>88760</b>	Universal Pack Plus, incl. Mayo Stand Cover		8
STERILE	NON-STERILE	CONTENTS	
-	-	1 Sterilisation Wrap 89 x 89 cm	
<b>42222</b>	42428	1 Back Table Cover, Reinforced 152 x 191 cm	
<b>89603</b>	79603	1 Mayo Stand Cover 80 x 145 cm	
<b>89053</b>	79053	1 Tape Strip 10 x 55 cm	
<b>89701</b>	79720	1 Absorbent Towel 38 x 56 cm	
-	-	1 Suture Bag	
-	76365	2 Side Drapes 91 x 112 cm: • Positioning Tape • CONTROL <sup>+</sup> Plus Fabric Reinforcement	
-	78961	1 Bottom Drape 193 x 239 cm: • Positioning Tape • CONTROL <sup>+</sup> Plus Fabric Reinforcement • Tube Holders	
-	76363	1 Bar Drape 157 x 269 cm: • Armboard Covers • Positioning Tape • CONTROL <sup>+</sup> Plus Fabric Reinforcement • Tube Holders	

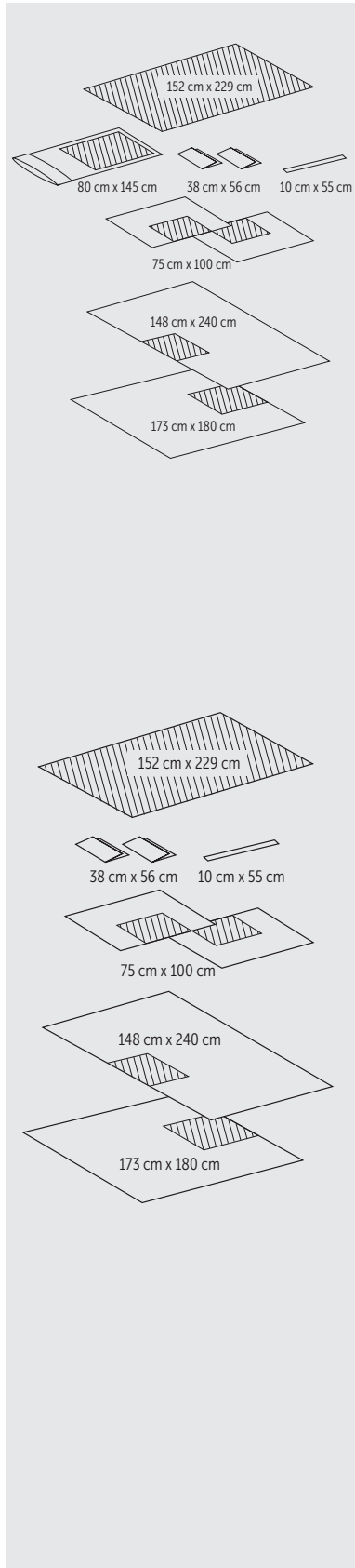
## UNIVERSAL PACK PLUS

CODE	DESCRIPTION		ITEMS/CASE
<b>88767</b>	Universal Pack Plus, excl. Mayo Stand Cover		9
STERILE	NON-STERILE	CONTENTS	
-	-	1 Sterilisation Wrap 89 x 89 cm	
<b>42222</b>	42428	1 Back Table Cover, Reinforced 152 x 191 cm	
<b>89053</b>	79053	1 Tape Strip 10 x 55 cm	
<b>89701</b>	79720	1 Absorbent Towel 38 x 56 cm	
-	-	1 Suture Bag	
-	76365	2 Side Drapes 91 x 112 cm: • Positioning Tape • CONTROL <sup>+</sup> Plus Fabric Reinforcement	
-	78961	1 Bottom Drape 193 x 239 cm: • Positioning Tape • CONTROL <sup>+</sup> Plus Fabric Reinforcement • Tube Holders	
-	76363	1 Bar Drape 157 x 269 cm: • Armboard Covers • Positioning Tape • CONTROL <sup>+</sup> Plus Fabric Reinforcement • Tube Holders	



All codes in **bold** indicate a sterile product.

# GENERAL SURGERY PACKS



## UNIVERSAL PACK

CODE	DESCRIPTION	ITEMS/CASE
<b>88100</b>	Universal Pack, incl. Mayo Stand Cover	12
STERILE	NON-STERILE	CONTENTS
<b>42224</b>	42451	1 Back Table Cover, Reinforced 152 x 229 cm
<b>89603</b>	79603	1 Mayo Stand Cover 80 x 145 cm
<b>89053</b>	79053	1 Tape Strip 10 x 55 cm
<b>89701</b>	79720	2 Absorbent Towels 38 x 56 cm
-	79012	2 Side Drapes 75 x 100 cm: • Positioning Tape • CONTROL <sup>+</sup> Plus Fabric Reinforcement
-	79011	1 Bottom Drape 173 x 180 cm: • Positioning Tape • CONTROL <sup>+</sup> Plus Fabric Reinforcement
-	79010	1 Top Drape 148 x 240 cm: • Positioning Tape • CONTROL <sup>+</sup> Plus Fabric Reinforcement

## UNIVERSAL PACK

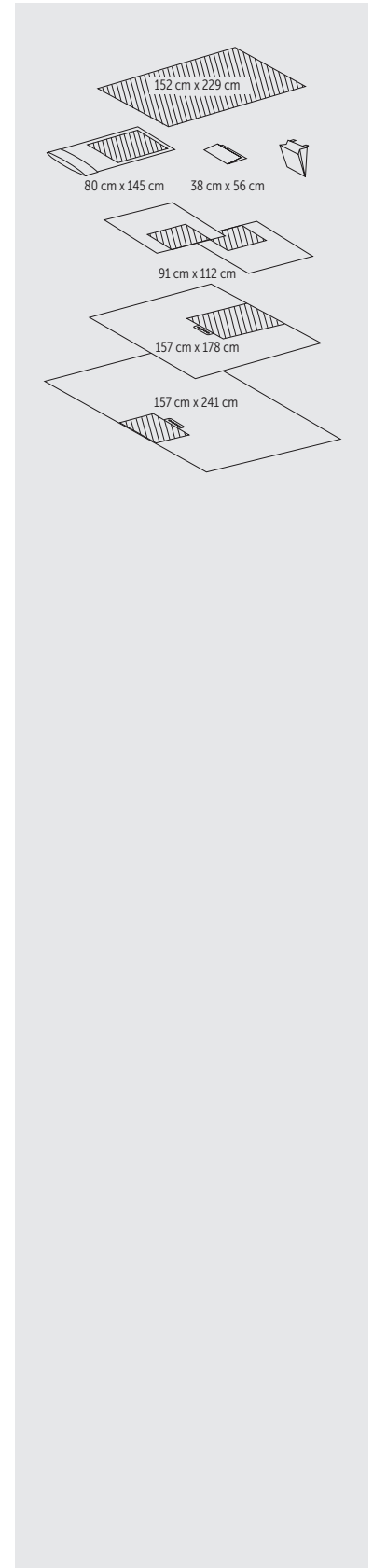
CODE	DESCRIPTION	ITEMS/CASE
<b>88103</b>	Universal Pack, excl. Mayo Stand Cover	12
STERILE	NON-STERILE	CONTENTS
-	-	1 Sterilisation Wrap 96 x 96 cm
<b>42224</b>	42451	1 Back Table Cover, Reinforced 152 x 229 cm
<b>89053</b>	79053	1 Tape Strip 10 x 55 cm
<b>89701</b>	79720	2 Absorbent Towels 38 x 56 cm
-	79012	2 Side Drapes 75 x 100 cm: • Positioning Tape • CONTROL <sup>+</sup> Plus Fabric Reinforcement
-	79011	1 Bottom Drape 173 x 180 cm: • Positioning Tape • CONTROL <sup>+</sup> Plus Fabric Reinforcement
-	79010	1 Top Drape 148 x 240 cm: • Positioning Tape • CONTROL <sup>+</sup> Plus Fabric Reinforcement

All codes in **bold** indicate a sterile product.

## GENERAL SURGERY PACKS

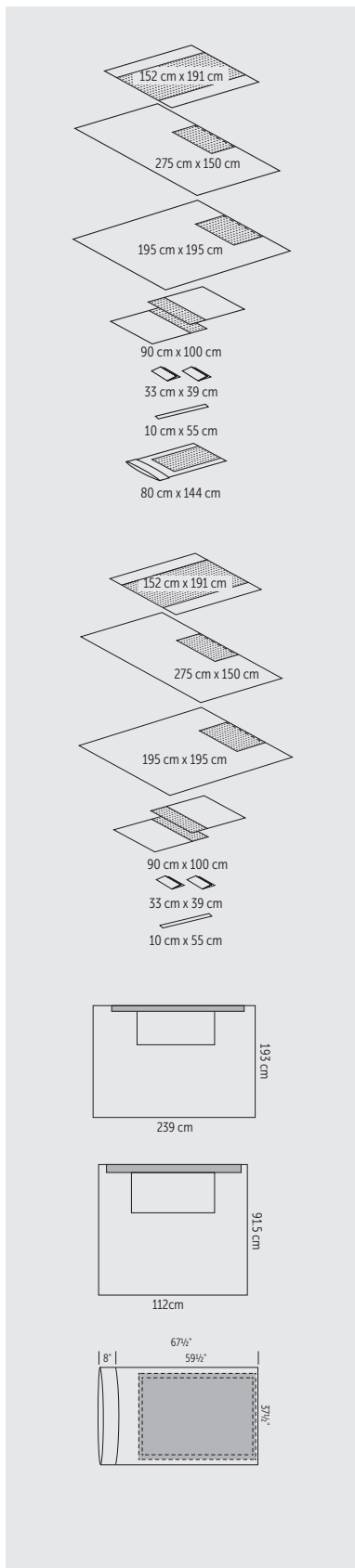
### UNIVERSAL PACK IV

CODE	DESCRIPTION		ITEMS/CASE
<b>7772</b>	Universal Pack IV, incl. Mayo Stand Cover		8
STERILE	NON-STERILE	CONTENTS	
-	-	1 Sterilisation Wrap 89 x 89 cm	
-	42451	1 Back Table Cover, Reinforced 152 x 229 cm	
<b>89603</b>	79603	1 Mayo Stand Cover 80 x 145 cm	
<b>89701</b>	79720	1 Absorbent Towel 38 x 56 cm	
-	-	1 Suture Bag	
-	76365	2 Side Drapes 91 x 112 cm: • Positioning Tape • CONTROL <sup>+</sup> Plus Fabric Reinforcement	
-	76366	1 Bottom Drape 157 x 178 cm: • Positioning Tape • CONTROL <sup>+</sup> Plus Fabric Reinforcement • Tube Holders	
-	76367	1 Top Drape 157 x 241 cm: • Positioning Tape • CONTROL <sup>+</sup> Plus Fabric Reinforcement	



All codes in **bold** indicate a sterile product.

# GENERAL SURGERY PACKS



## HALYARD BASICS\* UNIVERSAL PACK I

CODE	DESCRIPTION		ITEMS/CASE
<b>88900</b>	HALYARD BASICS* Universal Pack I, incl. Mayo Stand Cover		5
	STERILE	NON-STERILE	CONTENTS
<b>88673</b>		78669	1 Back Table Cover, Zone Reinforced 152 x 191 cm
<b>47348</b>		-	1 Mayo Stand Cover, Zone Reinforced 80 x 144 cm
-		79790	1 Top Drape 275 x 150 cm
-		79787	1 Bottom Drape 195 x 195 cm
-		-	2 Side Drapes 90 x 100 cm
-		-	1 Tape Strip 10 x 55 cm
-		-	2 Absorbent Towels 33 x 39 cm

## HALYARD BASICS\* UNIVERSAL PACK II

CODE	DESCRIPTION		ITEMS/CASE
<b>88901</b>	HALYARD BASICS* Universal Pack II, excl. Mayo Stand Cover		5
	STERILE	NON-STERILE	CONTENTS
<b>88673</b>		78669	1 Back Table Cover, Zone Reinforced 152 x 191 cm
-		79790	1 Top Drape 275 x 150 cm
-		79787	1 Bottom Drape 195 x 195 cm
-		-	2 Side Drapes 90 x 100 cm
-		-	1 Tape Strip 10 x 55 cm
-		-	2 Absorbent Towels 33 x 39 cm

## UNIVERSAL PACK

CODE	DESCRIPTION		ITEMS/CASE
<b>K887603</b>	Universal Pack, incl. Mayo Stand Cover		54
	STERILE	NON-STERILE	CONTENTS
-		-	1 Mayo Stand Cover, 80 x 145 cm
-		-	1 Back Table Cover, 152 x 190 cm
-		-	2 Side Drapes 91 x 115 cm
			• Positioning Tape
			• CONTROL* Fabric Reinforcement 40.5 x 61 cm
-		-	2 Surgical Drapes 193 x 239 cm
			• Positioning Tape
			• CONTROL* Fabric Reinforcement 61 x 81 cm

All codes in **bold** indicate a sterile product.

## GENERAL SURGERY PACKS

### UNIVERSAL PACK

CODE	DESCRIPTION	ITEMS/CASE
<b>K887621</b>	Universal Pack, Bi-laminated Fabric, Sterile	6
SIZE	DESCRIPTION	
152 x 254 cm	Top Drape -Positioning Tape	
90 x 90 cm	Outer Wrap	
152 x 191 cm	Back Table Cover	
76 x 89 cm	2 Side Drape -Positioning Tape	
196 x 196 cm	Bottom Drape -Positioning Tape	
10 x 51 cm	ISO-SEAL__Drape Tape	
43 x 51 cm	Absorbent Towel	

### UNIVERSAL PACK WITH MAYO STAND COVER

CODE	DESCRIPTION	ITEMS/CASE
<b>K887625</b>	Universal Pack, incl. Mayo Stand Cover, Bi-laminated, Sterile	6
SIZE	DESCRIPTION	
152 x 254 cm	Top Drape -Positioning Tape	
75 x 127 cm	Mayo Stand Cover	
90 x 90 cm	Outer Wrap	
152 x 191 cm	Back Table Cover	
76 x 89 cm	2 Side Drape -Positioning Tape	
196 x 196 cm	Bottom Drape -Positioning Tape	
10 x 51 cm	ISO-SEAL Drape Tape	
43 x 51 cm	Absorbent Towel	

### UNIVERSAL PACK WITH LARGE TOP DRAPE

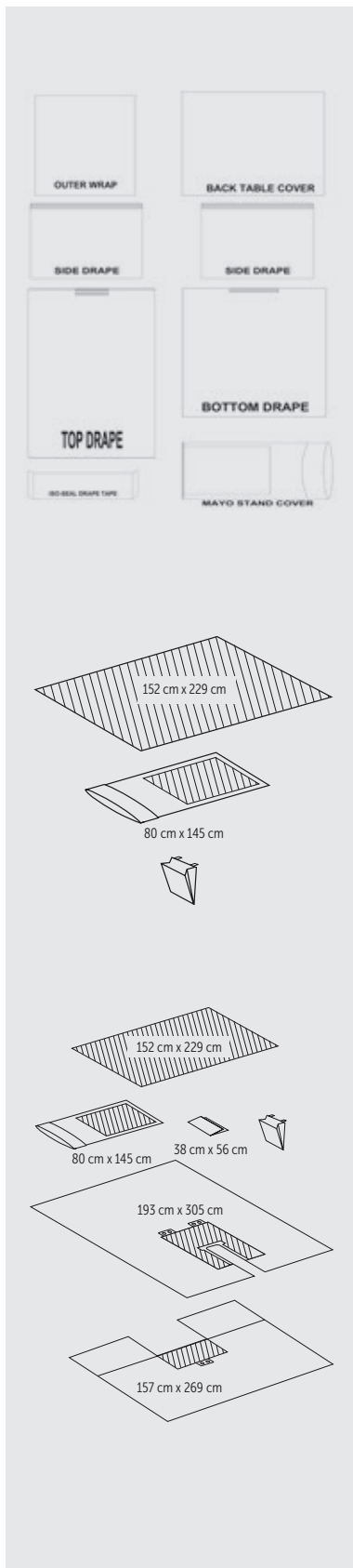
CODE	DESCRIPTION	ITEMS/CASE
<b>K887623</b>	Universal Pack, Top Drape L, Bi-laminated Fabric, Sterile	6
SIZE	DESCRIPTION	
176 x 300 cm	Top Drape -Positioning Tape	
90 x 90 cm	Outer Wrap	
152 x 191 cm	Back Table Cover	
76 x 89 cm	2 Side Drape -Positioning Tape	
196 x 196 cm	Bottom Drape -Positioning Tape	
10 x 51 cm	ISO-SEAL Drape Tape	
43 x 51 cm	Absorbent Towel	



All codes in **bold** indicate a sterile product.

# GENERAL SURGERY PACKS

## UNIVERSAL PACK WITH MAYO STAND COVER AND LARGE TOP DRAPE



CODE	DESCRIPTION	ITEMS/CASE
<b>K887626</b>	Universal Pack, incl. Mayo Stand Cover, Top Drape L, Bi-laminated Fabric, Sterile	6
SIZE	DESCRIPTION	
175 x 300 cm	Top Drape -Positioning Tape	
80 x 127 cm	Mayo Stand Cover	
90 x 90 cm	Outer Wrap	
152 x 191 cm	Back Table Cover	
76 x 89 cm	2 Side Drape -Positioning Tape	
196 x 196 cm	Bottom Drape -Positioning Tape	
10 x 51 cm	ISO-SEAL Drape Tape	
43 x 51 cm	Absorbent Towel	

## BASIC PACK VIII

CODE	DESCRIPTION	ITEMS/CASE
<b>88113</b>	Basic Pack VIII	24
STERILE	NON-STERILE	CONTENTS
<b>42224</b>	42451	1 Back Table Cover, Reinforced 152 x 229 cm
<b>89603</b>	79603	1 Mayo Stand Cover 80 x 145 cm
-	-	1 Suture Bag

## U-BAR\* PACK VI

CODE	DESCRIPTION	ITEMS/CASE
<b>77794</b>	U-BAR* Pack VI	9
STERILE	NON-STERILE	CONTENTS
-	-	1 Sterilisation Wrap 96 x 96 cm
-	42451	1 Back Table Cover, Reinforced 152 x 229 cm
<b>89603</b>	79603	1 Mayo Stand Cover 80 x 145 cm
<b>89701</b>	79720	1 Absorbent Towel 38 x 56 cm
-	-	1 Suture Bag
-	76361	1 U-Drape 193 x 305 cm: <ul style="list-style-type: none"> <li>• Split 10 x 101 cm</li> <li>• Positioning Tape</li> <li>• CONTROL* Plus Fabric Reinforcement</li> <li>• Tube Holders</li> </ul>
-	76363	1 Bar Drape 157 x 269 cm: <ul style="list-style-type: none"> <li>• Armboard Covers</li> <li>• Positioning Tape</li> <li>• CONTROL* Plus Fabric Reinforcement</li> <li>• Tube Holders</li> </ul>

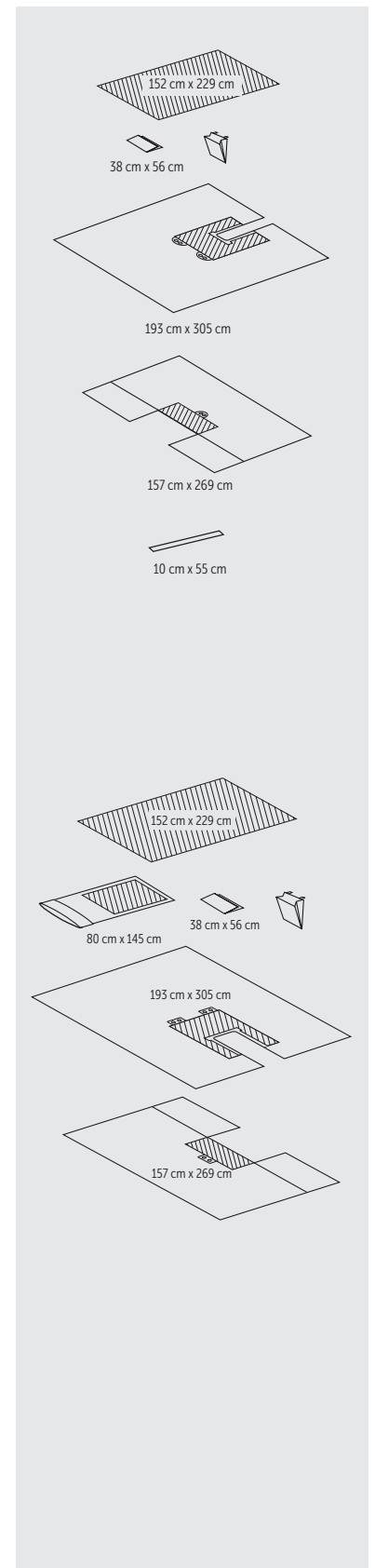
All codes in **bold** indicate a sterile product.

U-BAR\* PACK

CODE	DESCRIPTION		ITEMS/CASE
<b>77853</b>	U-BAR* Pack		10
	STERILE	NON-STERILE	CONTENTS
-	-	-	1 Sterilisation Wrap 89 x 89 cm
-	-	42451	1 Back Table Cover, Reinforced 152 x 229 cm
<b>89701</b>	-	79720	1 Absorbent Towel 38 x 56 cm
-	-	-	1 Suture Bag
-	-	76361	1 U-Drape 193 x 305 cm: <ul style="list-style-type: none"> <li>• Split 10 x 101 cm</li> <li>• Positioning Tape</li> <li>• CONTROL* Plus Fabric Reinforcement</li> <li>• Tube Holders</li> </ul>
-	-	76363	1 Bar Drape 157 x 269 cm: <ul style="list-style-type: none"> <li>• Armboard Covers</li> <li>• Positioning Tape</li> <li>• CONTROL* Plus Fabric Reinforcement</li> <li>• Tube Holders</li> </ul>
<b>89053</b>	-	79053	1 Tape Strip 10 x 55 cm

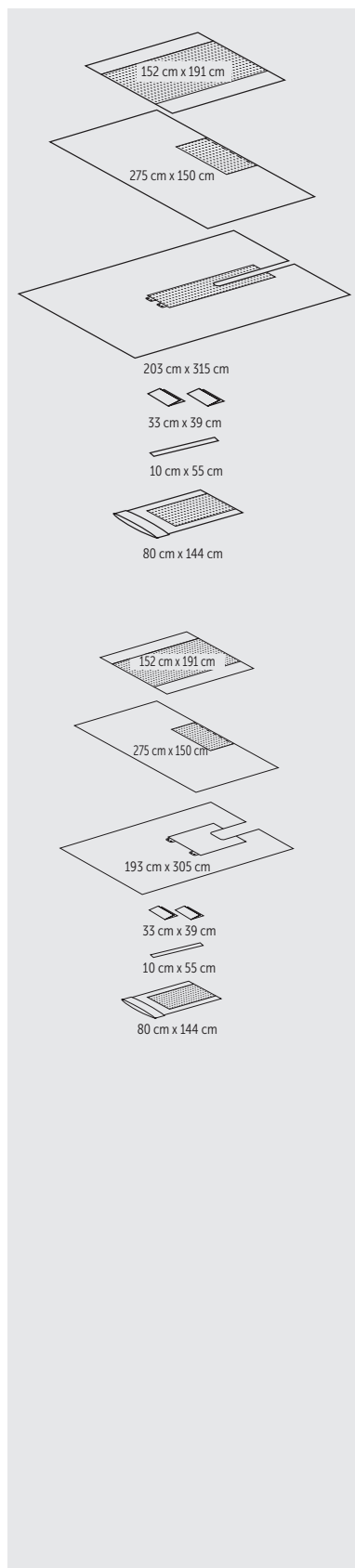
U-BAR\* PACK VII

CODE	DESCRIPTION		ITEMS/CASE
<b>77769</b>	U-BAR* Pack VII		10
	STERILE	NON-STERILE	CONTENTS
-	-	-	1 Sterilisation Wrap 89 x 89 cm
-	-	42451	1 Back Table Cover, Reinforced 152 x 229 cm
<b>89603</b>	-	79603	1 Mayo Stand Cover 80 x 145 cm
<b>89701</b>	-	79720	1 Absorbent Towel 38 x 56 cm
-	-	-	1 Suture Bag
-	-	76364	1 Breast/Chest U-Drape 193 x 305 cm: <ul style="list-style-type: none"> <li>• Split 30 x 76 cm</li> <li>• Positioning Tape</li> <li>• CONTROL* Plus Fabric Reinforcement</li> <li>• Tube Holders</li> </ul>
-	-	76363	1 Bar Drape 157 x 269 cm: <ul style="list-style-type: none"> <li>• Armboard Covers</li> <li>• Positioning Tape</li> <li>• CONTROL* Plus Fabric Reinforcement</li> <li>• Tube Holders</li> </ul>



All codes in **bold** indicate a sterile product.

# GENERAL SURGERY PACKS



## HALYARD BASICS\* U-BAR\* PACK I

CODE	DESCRIPTION		ITEMS/CASE
<b>88902</b>	HALYARD BASICS* U-BAR* Pack I		10
	STERILE	NON-STERILE	CONTENTS
<b>88673</b>		78669	1 Back Table Cover, Zone Reinforced 152 x 191 cm
<b>47348</b>		-	1 Mayo Stand Cover, Zone Reinforced 80 x 144 cm
-		79790	1 Top Drape 275 x 150 cm
-		79532	1 U-Drape 203 x 315 cm: • Split 10 x 112 cm
-		-	1 Tape Strip 10 x 55 cm
-		-	2 Absorbent Towels 33 x 39 cm

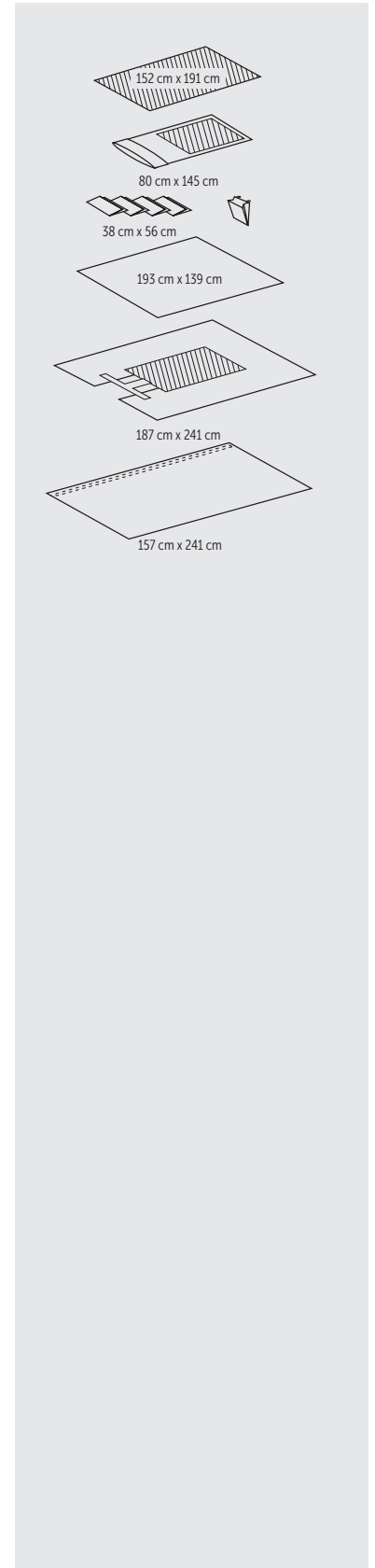
## HALYARD BASICS\* U-BAR\* PACK III

CODE	DESCRIPTION		ITEMS/CASE
<b>88904</b>	HALYARD BASICS* U-BAR* Pack III		10
	STERILE	NON-STERILE	CONTENTS
<b>88673</b>		78669	1 Back Table Cover, Zone Reinforced 152 x 191 cm
<b>47348</b>		-	1 Mayo Stand Cover, Zone Reinforced 80 x 144 cm
-		79790	1 Top Drape 275 x 150 cm
-		-	1 Breast and Chest U-Drape 193 x 305 cm: • Split 30 x 76 cm
-		-	1 Tape Strip 10 x 55 cm
-		-	2 Absorbent Towels 33 x 39 cm

All codes in **bold** indicate a sterile product.

VEIN STRIPPING PACK

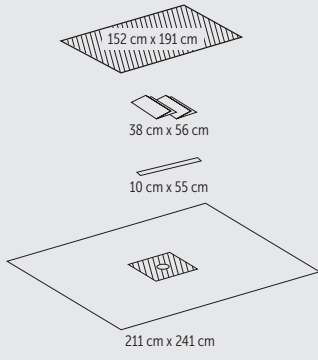
CODE	DESCRIPTION		ITEMS/CASE
<b>59709</b>	Vein Stripping Pack		5
STERILE	NON-STERILE	CONTENTS	
<b>42222</b>	42428	1 Back Table Cover, Reinforced 152 x 191 cm	
<b>89603</b>	79603	1 Mayo Stand Cover 80 x 145 cm	
<b>89701</b>	79720	4 Absorbent Towels 38 x 56 cm	
-	-	1 Suture Bag	
<b>47622</b>	47623	1 Large Drape 193 x 139 cm	
-	76356	1 Perineal Drape 187 x 241 cm: <ul style="list-style-type: none"> <li>• Split 44 x 95 cm</li> <li>• Positioning Tape</li> <li>• CONTROL<sup>+</sup> Plus Fabric Reinforcement</li> </ul>	
<b>76291</b>	76492	1 Drape with Tape 157 x 241 cm	



All codes in **bold** indicate a sterile product.

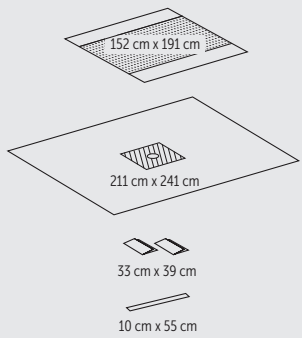
# GENERAL SURGERY PACKS

## SMALL PROCEDURE PACK II



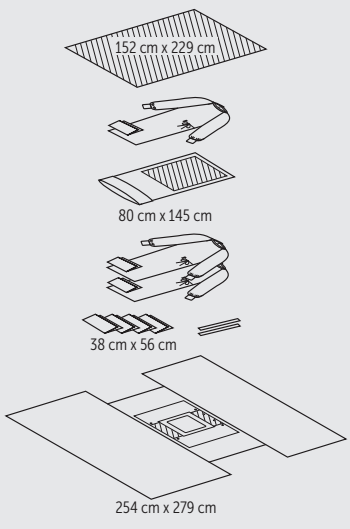
CODE	DESCRIPTION	ITEMS/CASE
<b>7717</b>	Small Procedure Pack II	10
	<b>STERILE</b>	<b>NON-STERILE</b>
-	-	1 Sterilisation Wrap 89 x 89 cm
<b>42222</b>	42428	1 Back Table Cover, Reinforced 152 x 191 cm
-	-	1 Fenestrated Drape 211 x 241 cm: <ul style="list-style-type: none"> <li>• Circular Fenestration 12 cm, centered</li> <li>• CONTROL<sup>®</sup> Plus Fabric Reinforcement</li> </ul>
<b>89701</b>	79720	2 Absorbent Towels 38 x 56 cm
<b>89053</b>	79053	1 Tape Strip 10 x 55 cm

## HALYARD BASICS\* SMALL PROCEDURE PACK II



CODE	DESCRIPTION	ITEMS/CASE
<b>89686</b>	HALYARD BASICS* Small Procedure Pack II	10
	<b>STERILE</b>	<b>NON-STERILE</b>
<b>88673</b>	78669	1 Back Table Cover, Zone Reinforced 152 x 191 cm
-	79745	1 Fenestrated Drape 211 x 241 cm: <ul style="list-style-type: none"> <li>• Circular Fenestration 12 cm, centered</li> <li>• Absorbent Reinforcement</li> </ul>
-	-	1 Tape Strip 10 x 55 cm
-	-	2 Absorbent Towels 33 x 39 cm

## LAPAROSCOPY PACK



CODE	DESCRIPTION	ITEMS/CASE
<b>76216</b>	Laparoscopy pack	6
	<b>STERILE</b>	<b>NON-STERILE</b>
-	-	1 Sterilisation Wrap 63 x 63 cm
<b>42224</b>	42451	1 Back Table Cover, Reinforced 152 x 229 cm
<b>89603</b>	79603	1 Mayo Stand Cover 80 x 145 cm
<b>90013</b>	79973	3 Surgical Gowns, Large, X-long
<b>89701</b>	79720	7 Absorbent Towels 38 x 56 cm
-	-	2 Iso-Seal Tape Strips 12 x 59 cm
-	76374	1 Laparoscopy Drape with Attached Leggings 254 x 177 x 279 cm <ul style="list-style-type: none"> <li>• 2 Pockets 27 x 71 cm</li> <li>• Abdominal Fenestration 30 x 33 cm</li> <li>• Positioning Tape</li> </ul>

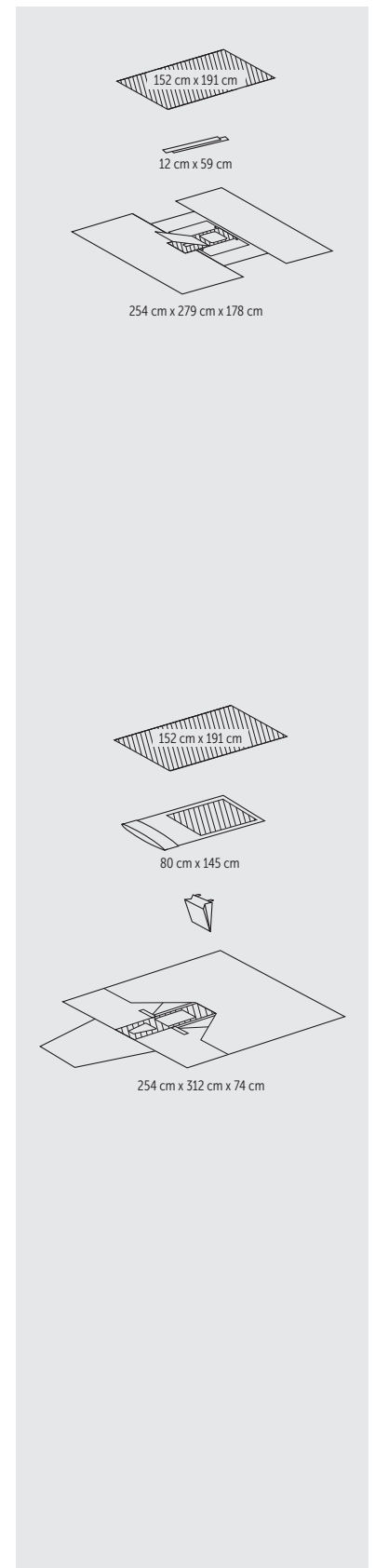
All codes in **bold** indicate a sterile product.

**UNIVERSAL LAPAROSCOPY / PELVISCOPY PACK WITH SIDE POCKETS**

CODE	DESCRIPTION		ITEMS/CASE
<b>76263</b>	Universal Laparoscopy / Pelviscopy Pack		8
STERILE	NON-STERILE	CONTENTS	
-	-	1 Sterilisation Wrap 89 x 89 cm	
<b>42222</b>	42428	1 Back Table Cover, Reinforced 152 x 191 cm	
-	76377	1 Laparoscopy Drape with Attached Leggings 254 x 279 x 178 cm and side pouches 28 x 58 cm: <ul style="list-style-type: none"> <li>• Abdominal Fenestration (30 x 33 cm) with 5 cm Tape Width</li> <li>• Perineal Fenestration (22 x 10 cm) with 2.5 cm Tape Width</li> <li>• CONTROL<sup>+</sup> Plus Fabric Reinforcement</li> <li>• With Flap over both Fenestrations</li> </ul>	
-	-	2 Iso-Seal Tape Strips 12 x 59 cm	

**LAPAROSCOPY PELVISCOPY PACK V**

CODE	DESCRIPTION		ITEMS/CASE
<b>77792</b>	Laparoscopy Pelviscopy Pack V		6
STERILE	NON-STERILE	CONTENTS	
-	-	1 Sterilisation Wrap 89 x 89 cm	
<b>42222</b>	42428	1 Back Table Cover, Reinforced 152 x 191 cm	
<b>89603</b>	79603	1 Mayo Stand Cover 80 x 145 cm	
-	-	1 Suture Bag	
-	76380	1 Laparoscopy Drape 254 x 312 x 74 cm, with Attached Leggings: <ul style="list-style-type: none"> <li>• 23 x 28 cm Abdominal Fenestration</li> <li>• 7.6 x 18 cm Trapezoidal Perineal Fenestration with Flap</li> <li>• Positioning Tape on both Fenestrations</li> <li>• Tube Holders</li> <li>• CONTROL<sup>+</sup> Fabric Reinforcement</li> </ul>	



All codes in **bold** indicate a sterile product.

# GENERAL SURGERY DRAPES

## SMALL SURGICAL DRAPE PACK

CODE	DESCRIPTION	ITEMS/CASE
<b>76243</b>	Small Surgical Drape Pack	25
STERILE	NON-STERILE	CONTENTS
-	-	1 Sterilisation Wrap 89 x 89 cm
-	42446	1 Back Table Cover, Reinforced 112 x 112 cm
<b>89363</b>	79293	4 Utility Drapes 90 x 90 cm

## FENESTRATED DRAPES

### MINOR PROCEDURE FENESTRATED DRAPE, 76 X 76 CM

- Fenestration 3 x 5 cm
- CONTROL\* Fabric Reinforcement 12 x 20 cm
- Positioning Tape

CODE	DESCRIPTION	ITEMS/CASE	ITEMS/DISPENSER	DISPENSERS/CASE
<b>89206</b>	Minor Procedure Fenestrated Drape, Sterile	100	25 x 4	4
79206	Minor Procedure Fenestrated Drape Non-Sterile	250	-	-

### MINOR PROCEDURE FENESTRATED DRAPE, 122 X 152 CM

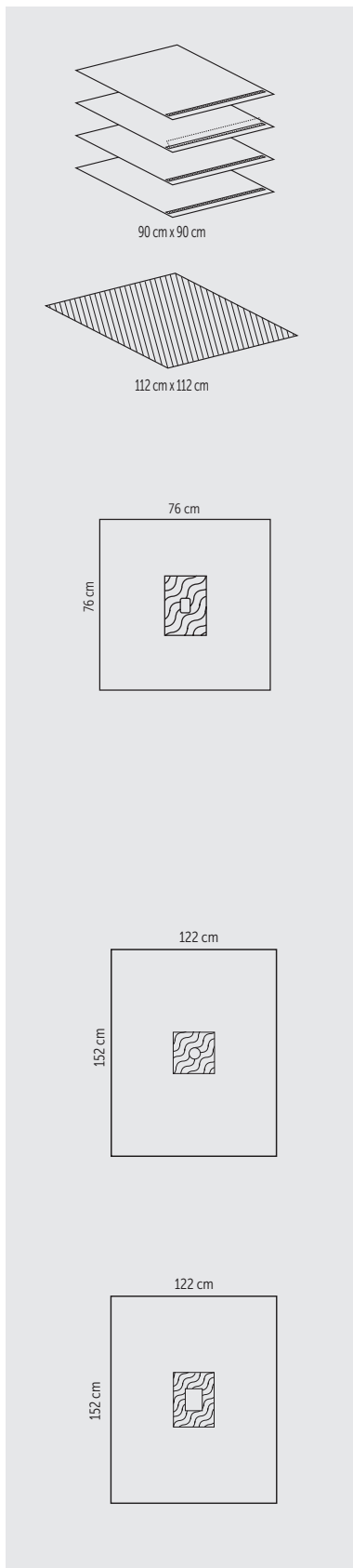
- Fenestration (Diameter 7 cm)
- CONTROL\* Fabric Reinforcement 31 x 31 cm
- Positioning Tape

CODE	DESCRIPTION	ITEMS/CASE
<b>89207</b>	Minor Procedure Fenestrated Drape, Sterile	40
79207	Minor Procedure Fenestrated Drape, Non-Sterile	60

### MINOR PROCEDURE FENESTRATED DRAPE, 122 X 152 CM

- Fenestration 12 x 15 cm
- CONTROL\* Fabric Reinforcement 41 x 31 cm
- Positioning Tape

CODE	DESCRIPTION	ITEMS/CASE
<b>89208</b>	Minor Procedure Fenestrated Drape, Sterile	40
79208	Minor Procedure Fenestrated Drape, Non-Sterile	60



All codes in **bold** indicate a sterile product.

## MINOR PROCEDURE FENESTRATED DRAPE, 193 X 315 CM

- Fenestration 15 x 15 cm
- CONTROL\* Fabric Reinforcement 51 x 67 cm
- Positioning Tape

CODE	DESCRIPTION	ITEMS/CASE
<b>89209</b>	Minor Procedure Fenestrated Drape, Sterile	19
79209	Minor Procedure Fenestrated Drape, Non-Sterile	23

## MINOR PROCEDURE FENESTRATED DRAPE, 119 X 152 CM

- SMS
- Fenestration 12 x 15 cm
- CONTROL\* Plus Fabric Reinforcement 30 x 40 cm

CODE	DESCRIPTION	ITEMS/CASE
K792610	Minor Procedure Fenestrated Drape, Non-Sterile	60

## HALYARD BASICS\* EPIDURAL DRAPE WITH TAPE, 50 X 75 CM

- Oval Fenestration 8 x 10 cm, centered
- Spunbond Film
- Lateral Tape 50 x 2.5 cm
- Tape around Fenestration
- Positioning Tape

CODE	DESCRIPTION	ITEMS/CASE
<b>14364</b>	HALYARD BASICS* Epidural Drape with Tape, Sterile	40
14365	HALYARD BASICS* Epidural Drape with Tape, Non-Sterile	160

## HALYARD BASICS\* FENESTRATED DRAPE, 75 X 75 CM

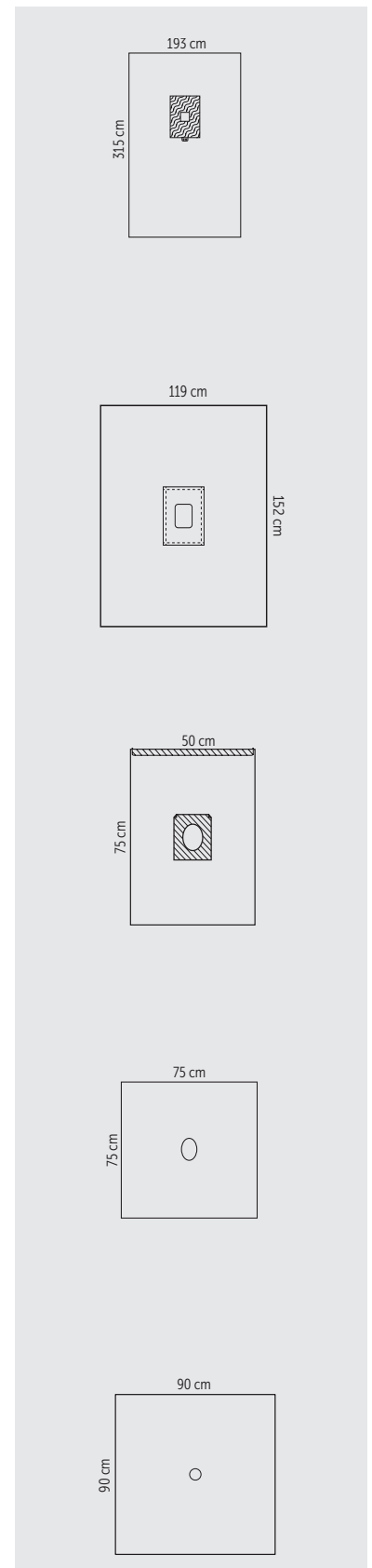
- Oval Fenestration 7 x 10 cm, centered
- Spunbond Film

CODE	DESCRIPTION	ITEMS/CASE
<b>89638</b>	HALYARD BASICS* Fenestrated Drape, Sterile	35

## HALYARD BASICS\* FENESTRATED DRAPE, 90 X 90 CM

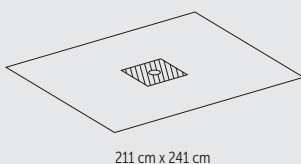
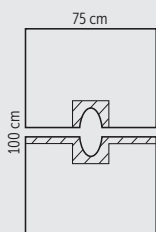
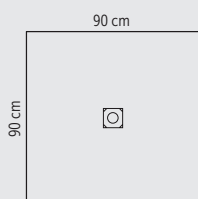
- Circular Fenestration 10 cm, centered
- Spunbond Film

CODE	DESCRIPTION	ITEMS/CASE
<b>89670</b>	HALYARD BASICS* Fenestrated Drape, Sterile	30
79692	HALYARD BASICS* Fenestrated Drape, Non-Sterile	120



All codes in **bold** indicate a sterile product.

# GENERAL SURGERY DRAPES



## SMALL FENESTRATED DRAPE

- 40GSM Bi-Laminated
- Circular Fenestration 5cm

CODE	SIZE	ITEMS/CASE
<b>K891027</b>	50x60cm	400
K791027	70x60cm	470

## HALYARD BASICS\* FENESTRATED DRAPE WITH TAPE, 90 X 90 CM

- Circular Fenestration 10 cm, centered
- Spunbond Film
- Positioning Tape

CODE	DESCRIPTION	ITEMS/CASE
<b>89671</b>	HALYARD BASICS* Fenestrated Drape with Tape, Sterile	30
79693	HALYARD BASICS* Fenestrated Drape with Tape, Non-Sterile	50

## HALYARD BASICS\* VARIABLE FENESTRATED DRAPE WITH TAPE, 75 X 100 CM

- Variable Fenestration: half circle on each drape
- Spunbond Film
- Positioning Tape

CODE	DESCRIPTION	ITEMS/CASE
<b>89680</b>	HALYARD BASICS* Variable Fenestrated Drape with Tape, Sterile	30
79784	HALYARD BASICS* Variable Fenestrated Drape with Tape, Non-Sterile	120

## HALYARD BASICS\* FENESTRATED DRAPE, 211 X 241 CM

- Circular Fenestration 12 cm, centered, with Positioning Tape
- SMS
- Absorbent Reinforcement

CODE	DESCRIPTION	ITEMS/CASE
79745	HALYARD BASICS* Fenestrated Drape, Non-Sterile	30

All codes in **bold** indicate a sterile product.

## VARIABLE FENESTRATED ABSORBENT DRAPE

- 40GSM Bi-Laminated
- Fenestration 18x2 4x6cm
- Positioning tape

CODE	SIZE	ITEMS/CASE
<b>K892031</b>	45x75cm per half	140
K792031	45x75cm per half	1700

## FENESTRATED DRAPE, 68 X 68 CM

- SMS
- Circular Fenestration 18 cm, centered
- CONTROL\* Fabric Reinforcement 30 x 30 cm

CODE	DESCRIPTION	ITEMS/CASE
K792015	Fenestrated Drape, Non-Sterile	180

## ABSORBENT FENESTRATED DRAPE

- 40GSM Bi-Laminated
- Ovale Fenestration 6.5x8.25cm
- Positioning tape 13cm

CODE	SIZE	ITEMS/CASE
<b>K892036</b>	120x150cm	180
K792036	120x150cm	235
K792035	50x60cm	450
<b>K892034</b>	75x75cm	230
K792034	75x75cm	230

## ABSORBENT FENESTRATED DRAPE

- 40GSM Bi-Laminated
- Circular Fenestration 10cm
- Positioning tape 15cm

CODE	SIZE	ITEMS/CASE
<b>K892033</b>	75x90cm	180
K792033	75x90cm	230



All codes in **bold** indicate a sterile product.

# GENERAL SURGERY DRAPES

## ABSORBENT FENESTRATED DRAPE

- 40GSM Bi-Laminated
- Circular Fenestration 5cm
- Positioning tape 10cm

CODE	SIZE	ITEMS/CASE
<b>K892032</b>	50x60cm	400
K792032	50x60cm	450

## U-DRAPES

### U-DRAPE, 193 X 305 CM

- Split 10 x 102 cm
- CONTROL\* or CONTROL\* Plus Fabric Reinforcement 122 x 61 cm
- Tube Holders
- Positioning Tape

CODE	DESCRIPTION	ITEMS/CASE
76361	U-Drape, CONTROL* Plus, Non-Sterile	15
13231	U-Drape, CONTROL*, Non-Sterile - handi-bin	190

### U-DRAPE, 193 X 305 CM

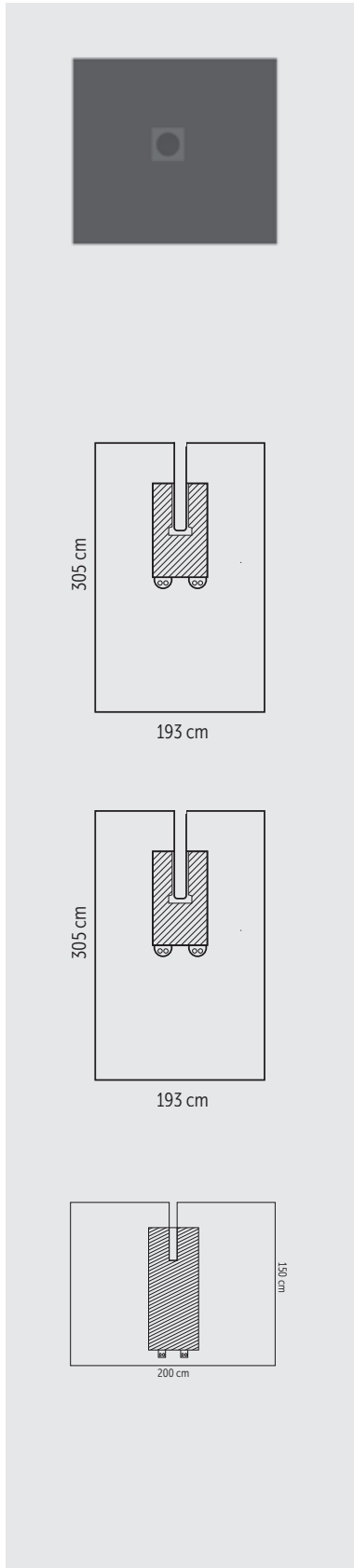
- Split 10 x 102 cm
- CONTROL\* Plus Fabric Reinforcement 122 x 61 cm
- Tube Holders
- Positioning Tape, width: 2 cm

CODE	DESCRIPTION	ITEMS/CASE
<b>89301</b>	U-Drape, CONTROL* Plus, Sterile	17

### U-DRAPE, 200 X 150 CM

- Split 8 x 64 cm
- SMS
- CONTROL\* Fabric Reinforcement

CODE	DESCRIPTION	ITEMS/CASE
K790790	U-Drape, Non-Sterile	22



All codes in **bold** indicate a sterile product.

## LARGE ORTHO U-DRAPE, 224 X 318 CM

- Split 15 x 137 cm
- CONTROL\* or CONTROL\* Plus Fabric Reinforcement 81 x 170 cm
- Tube Holders
- Positioning Tape

CODE	DESCRIPTION	ITEMS/CASE
<b>89311</b>	Large Ortho U-Drape, CONTROL* Plus, Sterile	11
79363	Large Ortho U-Drape, CONTROL*, Non-Sterile	15
K793630	Large Ortho U-Drape, CONTROL*, Non-Sterile	22
76368	Large Ortho U-Drape, CONTROL* Plus, Non-Sterile	15

## HALYARD BASICS\* U-DRAPE, 203 X 315 CM

- Split 10 x 112 cm
- SMS
- Absorbent Reinforcement

CODE	DESCRIPTION	ITEMS/CASE
79532	HALYARD BASICS* U-Drape, Non-Sterile	30

## SPLIT DRAPE 228 X 260 CM W/ U 20 X 100 CM

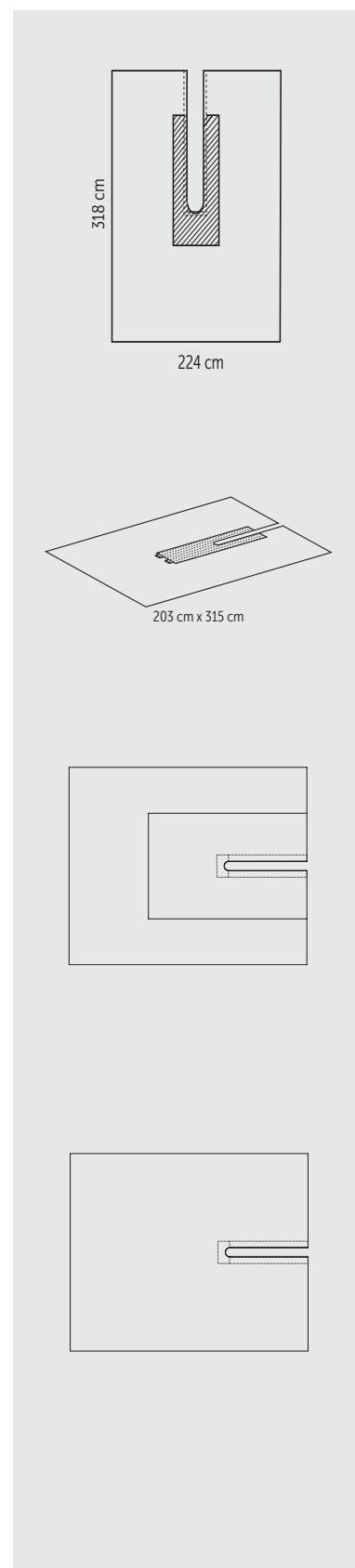
- Main Drape Size : 228 x 260 cm
- U-Split Size : 20 x 100 cm
- Reinforcement Size : 81.28 x 121.92 cm
- SMS

CODE	DESCRIPTION	ITEMS/CASE
K793214	Split Drape, 228 X 260 cm. W/split 20 X 100 cm, Non-Sterile	40

## TRI LAMINATED FABRIC SPLIT DRAPE, 228 X 260 CM U 20 X 100 CM

- Main Drape Size : 228 x 260 cm
- U-Split Size : 20 x 100 cm
- Tri-Laminated Fabric

CODE	DESCRIPTION	ITEMS/CASE
K793215	Split Drape, 228 X 260 cm. W/split 20 X 100 cm, Non-Sterile	40



All codes in **bold** indicate a sterile product.

## GENERAL SURGERY DRAPES

### HYBRID SPLIT SHEET, 250 CM X 430 CM

CODE	DESCRIPTION	ITEMS/CASE
<b>K893330</b>	Hybrid Split Sheet, Sterile	10
K793330	Hybrid Split Sheet, Non-Sterile	12

### BI LAMINATED FABRIC SPLIT DRAPE, 228 X 256 CM U 20 X 100 CM

- Main Drape Size : 228 x 256 cm
- U-Split Size : 20 cm x 100 cm
- Base material: Bi-Laminated fabric

CODE	DESCRIPTION	ITEMS/CASE
K793216	Split Drape, 228 X 256 cm. W/split 20 X 100 cm, Non-Sterile	40

### TRI LAMINATED FABRIC 152 X 183 CM. U 7 X 70 CM

- Main Drape Size : 152 x 183 cm.
- U-Split Size : 7 x 70 cm.
- Reinforcement Size : 81.28 x 121.92 cm
- Base material : SMS

CODE	DESCRIPTION	ITEMS/CASE
K793219	Split Drape, 152 X 183 cm. W/split 7 x 70 cm, Non-Sterile	40

### SMS 152 X 183 CM. U 7 X 70 CM

- Tri-Laminated Drape Size : 152 x 183 cm
- U-Split Size surrounded by medical tape : 7 x 70 cm
- Tri-Laminated Blue Fabric

CODE	DESCRIPTION	ITEMS/CASE
<b>K893217</b>	Split Drape, Sterile	40

All codes in **bold** indicate a sterile product.

**BAR DRAPES**

**ORTHO BAR DRAPE, 254 X 152 CM**

- CONTROL\* Plus Fabric Reinforcement 41 x 61 cm
- Tube Holders
- Positioning Tape

CODE	DESCRIPTION	ITEMS/CASE
<b>89381</b>	Ortho Bar Drape, Sterile	18
79360	Ortho Bar Drape, Non-Sterile	28

**BAR DRAPE WITH ARMBBOARD COVERS, 269 X 157 CM**

- Armboard Covers
- CONTROL\* or CONTROL\* Plus Fabric Reinforcement 41 x 61 cm
- Tube Holders
- Positioning Tape

CODE	DESCRIPTION	ITEMS/CASE
79375	Bar Drape, CONTROL*, Non-Sterile	28
76363	Bar Drape, CONTROL* Plus, Non-Sterile	26

**SURGICAL DRAPE, 195 X 241 CM**

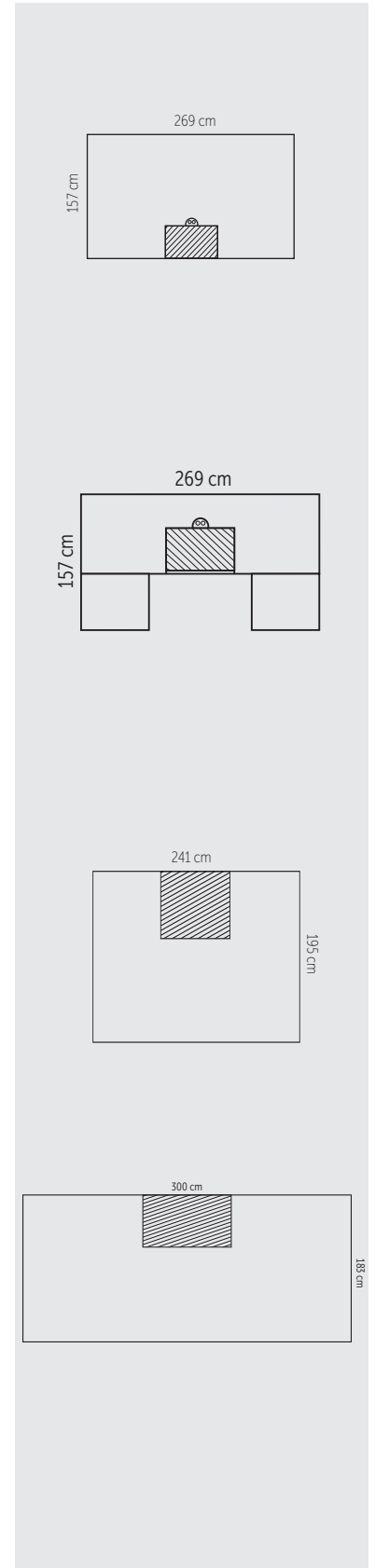
- SMS
- CONTROL\* Fabric Reinforcement
- Positioning Tape

CODE	DESCRIPTION	ITEMS/CASE
K791412	Surgical Drape, Non-Sterile	50

**BAR DRAPE, 183 X 300 CM**

- SMS
- CONTROL\* Fabric Reinforcement 20 x 150 cm
- Positioning Tape

CODE	DESCRIPTION	ITEMS/CASE
K793703	Bar Drape, Non-Sterile	40



All codes in **bold** indicate a sterile product.

# GENERAL SURGERY DRAPES

## BOTTOM DRAPES

### HALYARD BASICS\* BOTTOM DRAPE, 195 X 195 CM

- SMS

CODE	DESCRIPTION	ITEMS/CASE
79787	HALYARD BASICS* Bottom Drape, Non-Sterile	35

### BOTTOM DRAPE, 180 X 149 CM

- CONTROL\* Fabric Reinforcement 30 x 89 cm
- Positioning Tape

CODE	DESCRIPTION	ITEMS/CASE
79214	Bottom Drape, Non-Sterile	40

### BOTTOM DRAPE, 180 X 175 CM

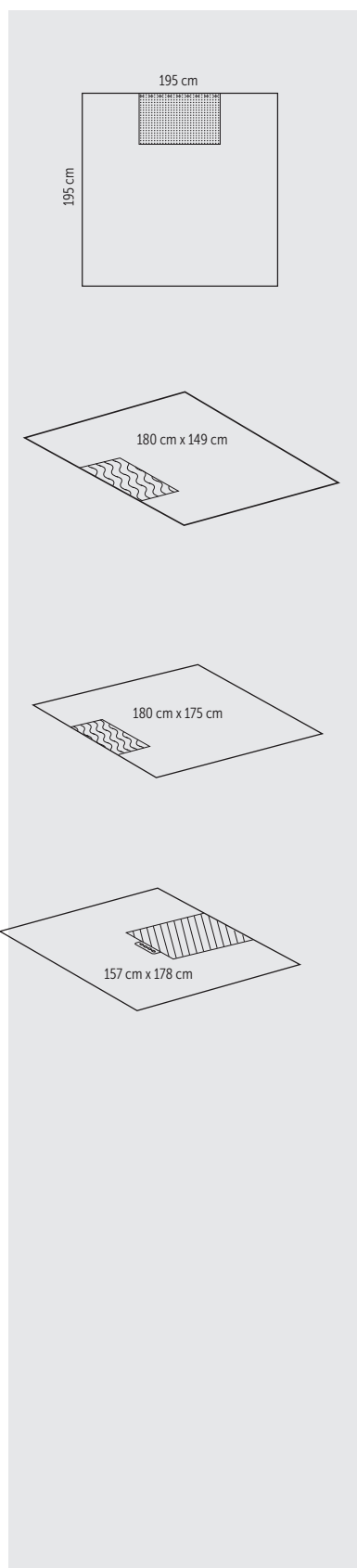
- CONTROL\* Fabric Reinforcement 30 x 89 cm
- Positioning Tape

CODE	DESCRIPTION	ITEMS/CASE
79217	Bottom Drape, Non-Sterile	35

### BOTTOM DRAPE, 157 X 178 CM

- CONTROL\* Plus Fabric Reinforcement 81 x 61 cm
- Tube Holders
- Positioning Tape

CODE	DESCRIPTION	ITEMS/CASE
76366	Bottom Drape, Non-Sterile	22



All codes in **bold** indicate a sterile product.

## BOTTOM DRAPE, 173 X 180 CM

- CONTROL\* Plus Fabric Reinforcement 63 x 61 cm
- Positioning Tape

CODE	DESCRIPTION	ITEMS/CASE
79011	Bottom Drape, Non-Sterile	50

## BOTTOM DRAPE, 183 X 230 CM

- CONTROL\* Fabric Reinforcement 10.6 x 50.8 cm
- Positioning Tape

CODE	DESCRIPTION	ITEMS/CASE
K795610	Bottom Drape, Non-Sterile	50
K795616	Bottom Drape, Non-Sterile	60

## BOTTOM DRAPE WITH ADHESIVE, 220 X 175 CM

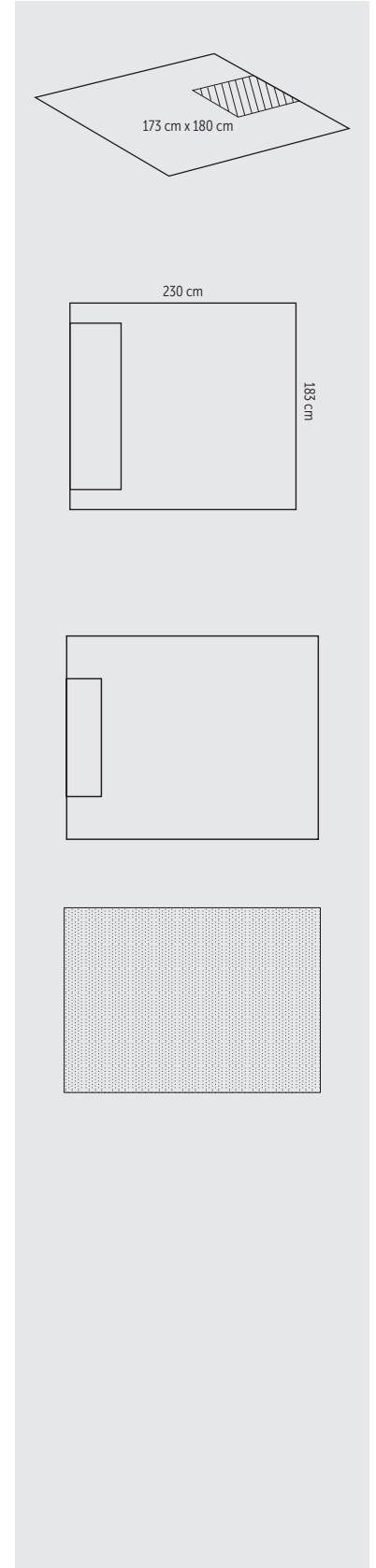
- Main Drape size : 220 x 175 cm
- Reinforcement size 30.5 x 101.6 cm
- Adhesive size : 2.5 x 101.6 cm.
- Base material : SMS fabric
- Reinforcement : Control Plus

CODE	DESCRIPTION	ITEMS/CASE
K795613	Bottom Drape W/Adhesive, Non-Sterile	50
K795614	Bottom Drape W/Adhesive, Non-Sterile	50

## BOTTOM DRAPE, 196 X 196 CM

- Bi-Laminated Blue Fabric

CODE	DESCRIPTION	ITEMS/CASE
K795615	Bottom Drape, Non-Sterile	50



All codes in **bold** indicate a sterile product.

# GENERAL SURGERY DRAPES

## SIDE DRAPES

### SIDE DRAPE, 90 X 100 CM

- CONTROL\* Fabric Reinforcement 99 x 31 cm
- Positioning Tape

CODE	DESCRIPTION	ITEMS/CASE
79216	Side Drape, Non-Sterile	70

### SIDE DRAPE, 75 X 100 CM

- CONTROL\* Plus Fabric Reinforcement 41 x 51 cm
- Positioning Tape

CODE	DESCRIPTION	ITEMS/CASE
79012	Side Drape, Non-Sterile	150

### SIDE DRAPE, 76 X 91 CM

- SMS
- CONTROL\* Fabric Reinforcement
- Positioning Tape 2.5 cm

CODE	DESCRIPTION	ITEMS/CASE
K792130	Side Drape, Non-Sterile	200

### SIDE DRAPE, 91 X 112 CM

- CONTROL\* Plus Fabric Reinforcement 46 x 112 cm
- Positioning Tape

CODE	DESCRIPTION	ITEMS/CASE
76365	Side Drape, Non-Sterile	54

### SIDE DRAPE WITH ADHESIVE, 75 X 89 CM

- Base material : Bi-Laminated

CODE	DESCRIPTION	ITEMS/CASE
K795806	Side Drape, Non-Sterile	50

### SIDE DRAPE WITH ADHESIVE, 120 X 100 CM

- SMS
- adhesive size 2,5cm x 120 cm

CODE	DESCRIPTION	ITEMS/CASE
K795805	Side Drape with Adhesive	70

### SIDE DRAPE 100 CM X130 CM

CODE	DESCRIPTION	ITEMS/CASE
K795809	Side Drape, Non-Sterile	100

All codes in **bold** indicate a sterile product.

**TOP DRAPES**

**TOP DRAPE, 149 X 241 CM**

- CONTROL\* Fabric Reinforcement
- Positioning Tape

CODE	DESCRIPTION	ITEMS/CASE
79218	Top Drape, Non-Sterile	35

**TOP DRAPE, 149 X 180 CM**

- CONTROL\* Fabric Reinforcement 30 x 89 cm
- Positioning Tape

CODE	DESCRIPTION	ITEMS/CASE
79215	Top Drape, Non-Sterile	4

**TOP DRAPE, 148 X 240 CM**

- CONTROL\* Plus Fabric Reinforcement 42 x 61 cm
- Positioning Tape

CODE	DESCRIPTION	ITEMS/CASE
79010	Top Drape, Non-Sterile	50

**TOP DRAPE 152 CM X 254 CM**

CODE	DESCRIPTION	ITEMS/CASE
K795713	Top Drape, Non-Sterile	34

**TOP DRAPE, 157 X 241 CM**

- CONTROL\* Plus Fabric Reinforcement 30 x 61 cm
- Positioning Tape

CODE	DESCRIPTION	ITEMS/CASE
76367	Top Drape, Non-Sterile	33

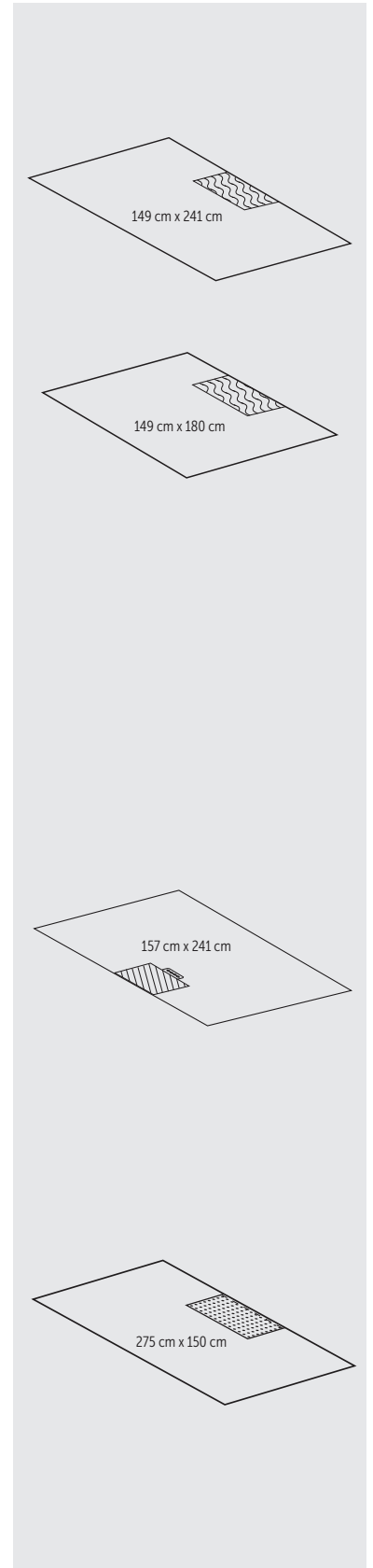
**TOP DRAPE 175 CM X 300 CM**

CODE	DESCRIPTION	ITEMS/CASE
K795714	Top Drape, Non-Sterile	34

**HALYARD BASICS\* TOP DRAPE, 275 X 150 CM**

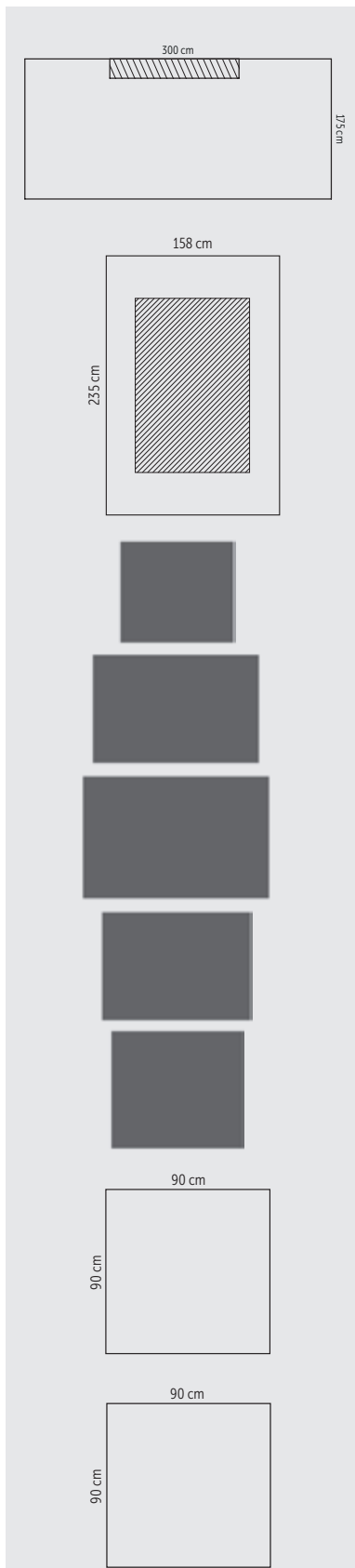
- SMS

CODE	DESCRIPTION	ITEMS/CASE
79790	HALYARD BASICS* Top Drape, Non-Sterile	35



All codes in **bold** indicate a sterile product.

# GENERAL SURGERY DRAPES



## TOP DRAPE WITH ADHESIVE, 300 X 175 CM

- Main Drape size : 300 x 175 cm
- Reinforcement size : 30.5 x 101.6 cm
- Base material: SMS fabric
- Reinforcement : Control Plus

CODE	DESCRIPTION	ITEMS/CASE
K795711	Top Drape W/Adhesive, Non-Sterile	40

## ABSORBENT UNDERLEG DRAPES

### POLY DRAPE, 158 X 235 CM

- CONTROL\* Plus Fabric Reinforcement 157 x 104 cm

CODE	DESCRIPTION	ITEMS/CASE
<b>59705</b>	Poly Drape, Sterile	14

## SINGLE DRAPES

### SMALL ABSORBENT DRAPES

- 40 GSM Bi-laminated

CODE	SIZE	ITEMS/CASE
<b>K891022</b>	45x50cm	400
K791022	45x50cm	470
<b>K891025</b>	75x90cm	440
K791025	75x90cm	450
K791026	112x145cm	235
<b>K891023</b>	45x75cm	400
K791023	45x75cm	460
<b>K891024</b>	75x75cm	400
K791024	75x75cm	450

## DRAPE, 90 X 90 CM

- SMS

CODE	DESCRIPTION	ITEMS/CASE
<b>89353</b>	Drape, Sterile	120
76323	Drape, Non-Sterile	200

## HALYARD BASICS\* DRAPE, 90 X 90 CM

- Spunbond Film

CODE	DESCRIPTION	ITEMS/CASE
<b>89678</b>	HALYARD BASICS* Drape, Sterile	30
79782	HALYARD BASICS* Drape, Non-Sterile	90

All codes in **bold** indicate a sterile product.

## GENERAL SURGERY DRAPES

### HALF DRAPE, 147 X 101 CM

- SMS

CODE	DESCRIPTION	ITEMS/CASE
<b>47614</b>	Half Drape, Sterile	60
47616	Half Drape, Non-Sterile	80

### HALYARD BASICS\* HALF DRAPE, 112 X 150 CM

- Spunbond Film

CODE	DESCRIPTION	ITEMS/CASE
<b>89672</b>	HALYARD BASICS* Half Drape, Sterile	40
79694	HALYARD BASICS* Half Drape, Non-Sterile	50

### LARGE DRAPE, 139 X 193 CM

- SMS

CODE	DESCRIPTION	ITEMS/CASE
<b>47622</b>	Large Drape, Sterile	32
47623	Large Drape, Non-Sterile	32

### HALYARD BASICS\* LARGE DRAPE, 150 X 193 CM

- Spunbond Film

CODE	DESCRIPTION	ITEMS/CASE
<b>89674</b>	HALYARD BASICS* Large Drape, Sterile	30
79696	HALYARD BASICS* Large Drape, Non-Sterile	40

### MEDIUM DRAPE, 185 X 101 CM

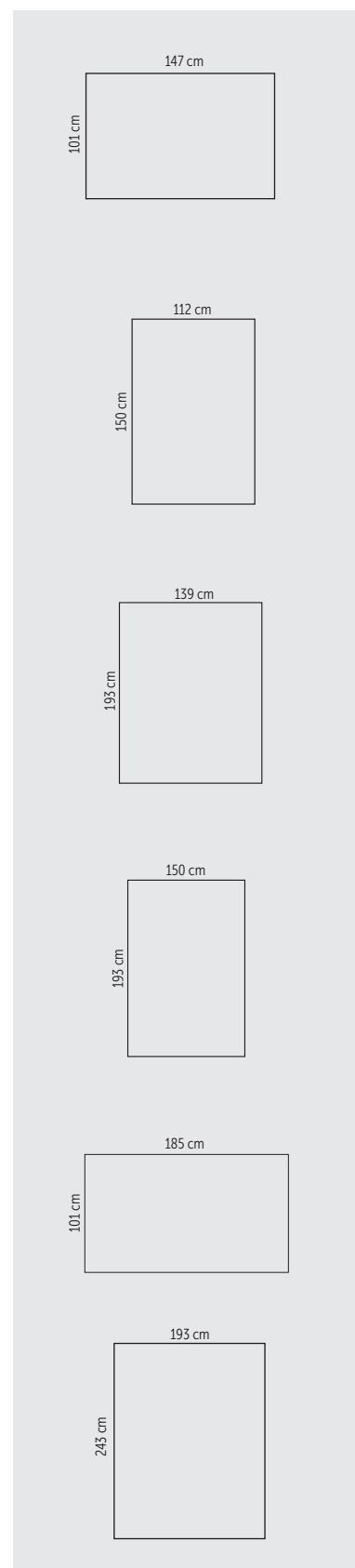
- SMS

CODE	DESCRIPTION	ITEMS/CASE
47618	Medium Drape, Non-Sterile	64

### X-LARGE DRAPE, 193 X 243 CM

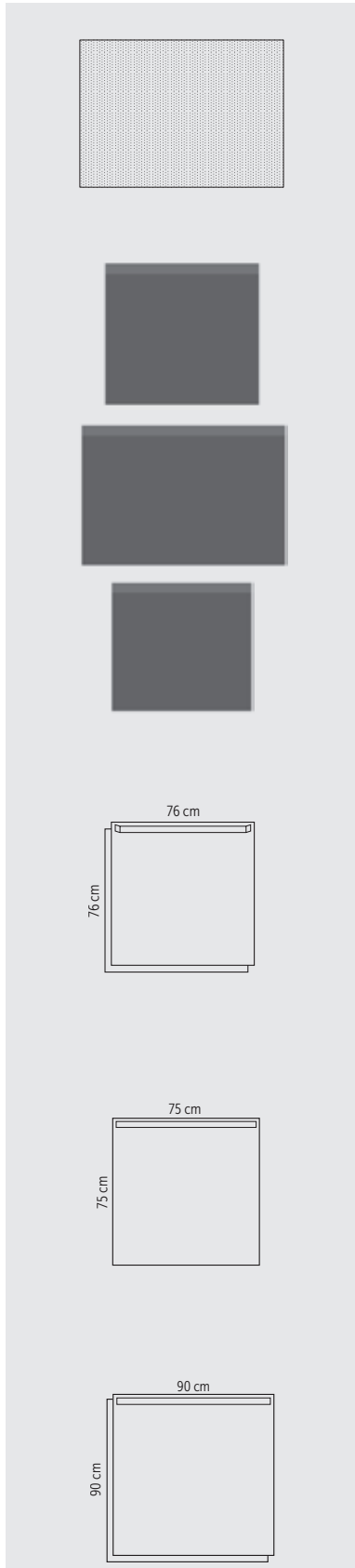
- SMS

CODE	DESCRIPTION	ITEMS/CASE
47631	X-Large Drape, Non-Sterile	24



All codes in **bold** indicate a sterile product.

# GENERAL SURGERY DRAPES



## ABSORBENT DRAPE, 100 X 152 CM

- Bi-Laminated Drape Size : 100 x 152 cm

CODE	DESCRIPTION	ITEMS/CASE
K791020	Absorbent Drape, Non-Sterile	110

## UTILITY DRAPES

### SMALL ABSORBENT DRAPE WITH TAPE

- 40 GSM Bi-laminated
- Full length tape on one side

CODE	SIZE	TAPE LENGTH	ITEMS/CASE
<b>K897322</b>	75x75cm	75cm	200
K797322	75x75cm	75cm	300
<b>K897320</b>	75x90cm	90cm	440
K797320	75x90cm	90cm	440
<b>K897321</b>	45x50cm	45cm	460
K797321	45x50cm	45cm	460
K797316	50x50cm	50 cm	780

### UTILITY DRAPE WITH TAPE, 76 X 76 CM, PER PAIR

- SMS

CODE	DESCRIPTION	ITEMS/CASE
<b>89313</b>	Utility Drape with Tape, Sterile	180 (2 x 90)
79313	Utility Drape with Tape, Non-Sterile	200

### HALYARD BASICS\* UTILITY DRAPE WITH TAPE, 75 X 75 CM

- Spunbond Film

CODE	DESCRIPTION	ITEMS/CASE
<b>89677</b>	HALYARD BASICS* Utility Drape with Tape, Sterile	35
79699	HALYARD BASICS* Utility Drape with Tape, Non-Sterile	60

### UTILITY DRAPE WITH TAPE, 90 X 90 CM, PER PAIR

- SMS

CODE	DESCRIPTION	ITEMS/CASE
<b>89293</b>	Utility Drape with Tape, Sterile	160 (2 x 80)
79293	Utility Drape with Tape, Non-Sterile	170

All codes in **bold** indicate a sterile product.

## UTILITY DRAPE WITH TAPE, 90 X 90 CM

- SMS

CODE	DESCRIPTION	ITEMS/CASE
<b>89363</b>	Utility Drape with Tape, Sterile	100
79293	Utility Drape with Tape, Non-Sterile	170

## HALYARD BASICS\* UTILITY DRAPE WITH TAPE, 90 X 90 CM

- Spunbond Film

CODE	DESCRIPTION	ITEMS/CASE
<b>89679</b>	HALYARD BASICS* Utility Drape with Tape, Sterile	30
79783	HALYARD BASICS* Utility Drape with Tape, Non-Sterile	90

## STANDARD ABSORBENT DRAPE, 91 X 91 CM

CODE	DESCRIPTION	ITEMS/CASE
<b>89343</b>	Standard Absorbent Drape, Sterile	50
79343	Standard Absorbent Drape, Non-Sterile	70

## UTILITY DRAPE, 157 X 241 CM

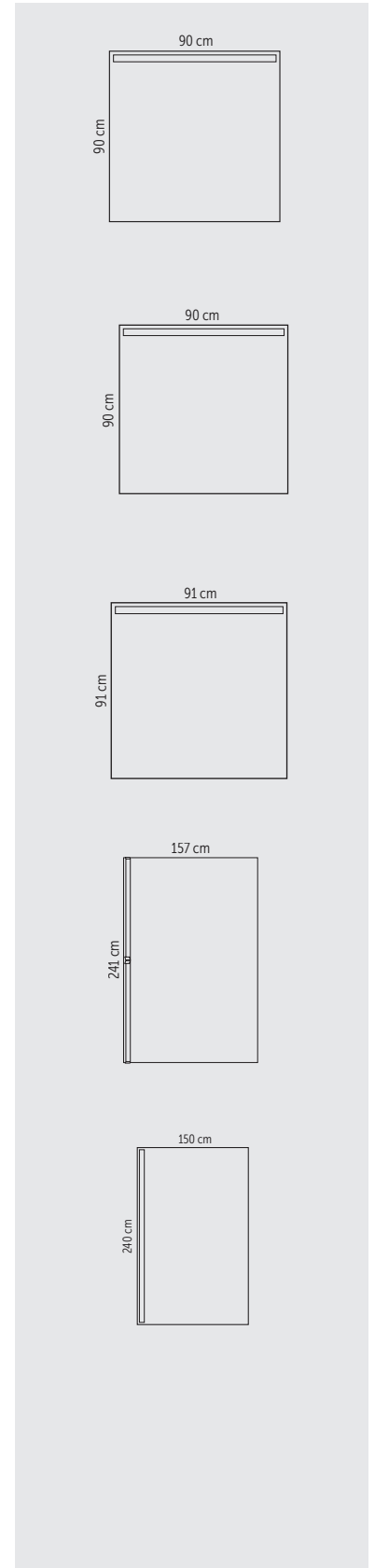
- SMS
- Full Length Tape on the Long Side

CODE	DESCRIPTION	ITEMS/CASE
<b>76291</b>	Utility Drape, Sterile	30
76492	Utility Drape, Non-Sterile	32

## HALYARD BASICS\* UTILITY DRAPE WITH TAPE, 150 X 240 CM

- SMS
- Full Length Tape on the Long Side

CODE	DESCRIPTION	ITEMS/CASE
<b>89676</b>	HALYARD BASICS* Utility Drape with Tape, Sterile	30



All codes in **bold** indicate a sterile product.

# GENERAL SURGERY DRAPES

## PLAIN DRAPE 150 CM X 200 CM

CODE	DESCRIPTION	ITEMS/CASE
K791021	Plain Drape, Non-Sterile	60

## UTILITY DRAPE, 90 X 157 CM

- SMS
- Full Length Tape on the Long Side

CODE	DESCRIPTION	ITEMS/CASE
<b>76293</b>	Utility Drape, Sterile	60
78965	Utility Drape, Non-Sterile	120

## UTILITY DRAPE WITH TAPE, 64 X 38 CM

- SMS
- Full Length Tape on the Long Side

CODE	DESCRIPTION	ITEMS/CASE
79731	Utility Drape with Tape, Non-Sterile	550

## UTILITY DRAPE WITH TAPE, 75 X 90 CM

CODE	DESCRIPTION	ITEMS/CASE
K797310	Utility Drape with Tape, Non-Sterile	200

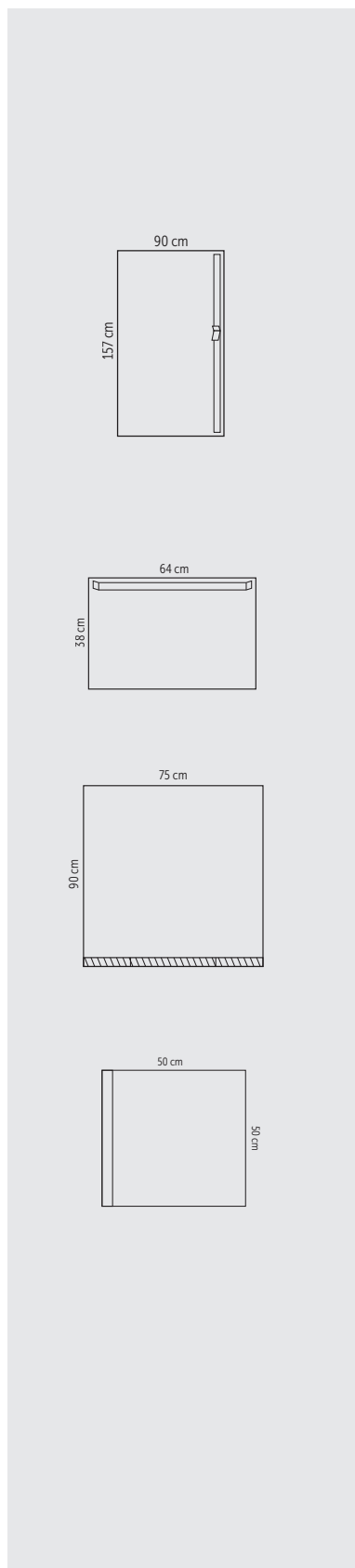
## STANDARD ABSORBENT DRAPE, 50 X 50CM

- Full Length Tape on One Side

CODE	DESCRIPTION	ITEMS/CASE
<b>K897312</b>	Utility Drape with Tape, Sterile	100

## XXL SURGICAL DRAPE 195 CM X 241 CM

CODE	DESCRIPTION	ITEMS/CASE
K791413	XXL Surgical Drape, Non-Sterile	50



All codes in **bold** indicate a sterile product.

## FENESTRATED DRAPE WITH TAPE 90X190

- Main Drape size : 190 x 90 cm.
- Fenestration size : 10.2 cm (Diamètre)
- Base material: Tri-Laminated Fabric (Hydrophilic)

CODE	DESCRIPTION	ITEMS/CASE
K796710	Fenestrated Drape with Tape, Non-sterile	50

## BI LAMINATED FABRIC DRAPE 75X90 W/ ADHESIVE

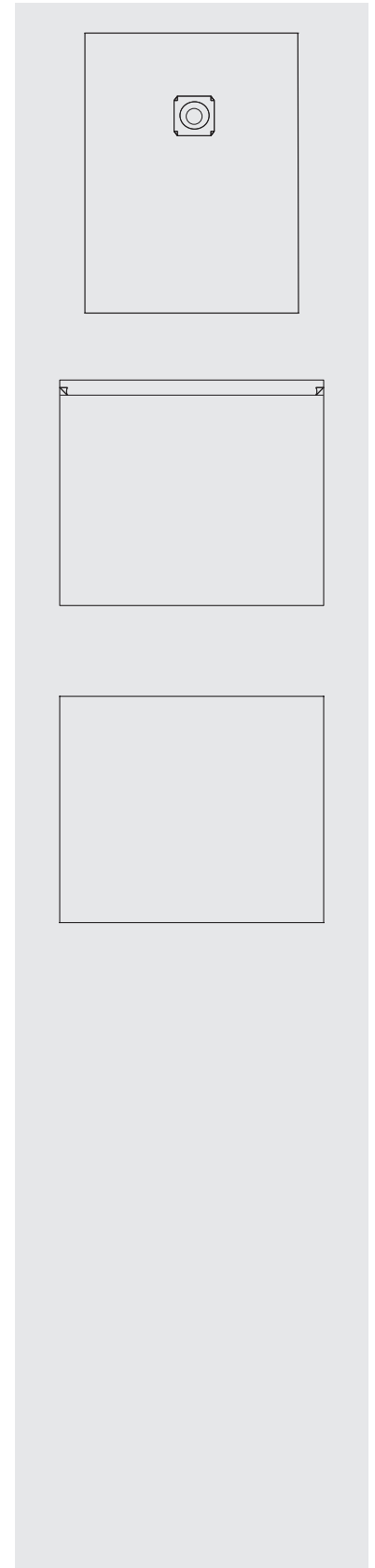
- Main Drape size : 76 x 90 cm
- Base material : Bi-Laminated Fabric (Hydrophilic)

CODE	DESCRIPTION	ITEMS/CASE
<b>K891013</b>	Drape with Adhesive, Sterile	100

## BI LAMINATED FABRIC DRAPE 75X90 WITHOUT ADHESIVE

- Main Drape size : 76 x 90 cm
- Base material : Bi-Laminated Fabric (Hydrophilic)

CODE	DESCRIPTION	ITEMS/CASE
<b>K891012</b>	Drape Plain, Sterile	150



All codes in **bold** indicate a sterile product.

# GENERAL SURGERY DRAPES

## LAPAROTOMY DRAPES

### LAPAROTOMY DRAPE WITH INCISE, 254 X 305 X 183 CM

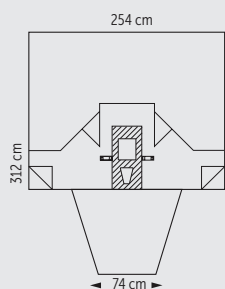
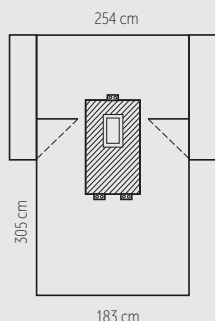
- Fenestration 20 x 33 cm
- CONTROL\* Plus Fabric Reinforcement 61 x 96 cm
- Tube Holders
- Armboard Covers
- Positioning Tape

CODE	DESCRIPTION	ITEMS/CASE
<b>89282</b>	Laparotomy Drape with Incise, Sterile	15
79282	Laparotomy Drape with Incise, Non-Sterile	15

### LAPAROTOMY DRAPE WITH ATTACHED LEGGINGS, 254 X 312 X 74 CM

- Abdominal Fenestration 23 x 28 cm
- Trapezoidal Perineal Fenestration with Flap 7.6 x 18 cm
- CONTROL\* Plus Fabric Reinforcement 76 x 38 cm
- Hook and Loop Tube Holders
- Positioning Tape on both Fenestrations

CODE	DESCRIPTION	ITEMS/CASE
76380	Laparotomy Drape with Attached Leggings, Non-Sterile	8



All codes in **bold** indicate a sterile product.

## LAPAROTOMY DRAPE WITH ATTACHED LEGGINGS, 255 X 317 X 284 CM

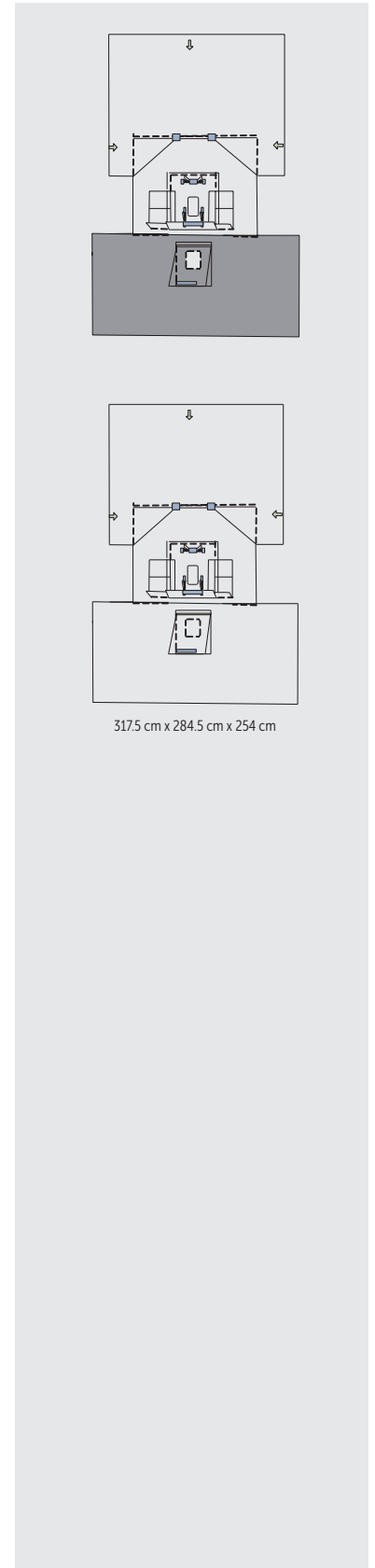
- SMS
- Abdominal Fenestration 33 x 37 cm, with Incise
- Perineal Fenestration 11 x 16 cm
- CONTROL\* Reinforcement
- Velcro and pouches with 2 compartments

CODE	DESCRIPTION	ITEMS/CASE
<b>K892245</b>	Laparotomy Drape with Attached Leggings, Sterile	12
K792245	Laparotomy Drape with Attached Leggings, Non-Sterile	8

## LAPAROTOMY DRAPE WITH ATTACHED LEGGINGS, 255 X 317 X 284 CM

- SMS
- Abdominal Fenestration 33 x37 cm
- Perineal Fenestration 11 x 16 cm
- CONTROL\* Reinforcement
- Velcro and pouches with 2 compartments

CODE	DESCRIPTION	ITEMS/CASE
<b>K892246</b>	Laparotomy Drape with Attached Leggings, Sterile	12
K792246	Laparotomy Drape with Attached Leggings, Non-Sterile	12



All codes in **bold** indicate a sterile product.

# GENERAL SURGERY DRAPES

## BREAST/CHEST DRAPES

### BREAST DRAPE, 254 X 315 X 193 CM

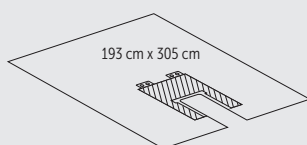
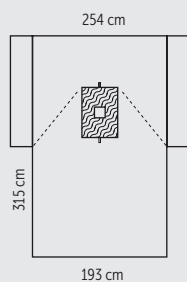
- Fenestration 15 x 15 cm
- CONTROL\* Fabric Reinforcement 51 x 71 cm
- 2 Velcros - Aperture is adhesive and it has 2,5 cm wide tapes
- Armboard Covers

CODE	DESCRIPTION	ITEMS/CASE
<b>89236</b>	Breast Drape, Sterile	10
79236	Breast Drape, Non-Sterile	20

### BREAST & CHEST U-DRAPE, 193 X 305 CM

- CONTROL\* Plus Fabric Reinforcement 102 x 61 cm
- Tube Holders
- Positioning Tape
- 30 x 76 cm Split

CODE	DESCRIPTION	ITEMS/CASE
76364	Breast & Chest U-Drape, Non-Sterile	19



All codes in **bold** indicate a sterile product.

**LAPAROSCOPY DRAPES**

**LAPAROSCOPY DRAPE WITH ATTACHED LEGGINGS,  
254 X 279 X 178 CM WITH SIDE POUCHES 28 X 58 CM**

- Abdominal Fenestration 30 x 33 cm
- Perineal Fenestration 22 x 10 cm
- With Flap over both Fenestrations
- CONTROL\* Plus Reinforcement 96 x 152 cm

CODE	DESCRIPTION	ITEMS/CASE
76377	Laparoscopy Drape with Attached Leggings, Non-Sterile	10

**LAPAROSCOPY/PELVISCOPY DRAPE, 264 X 89 X 264 CM**

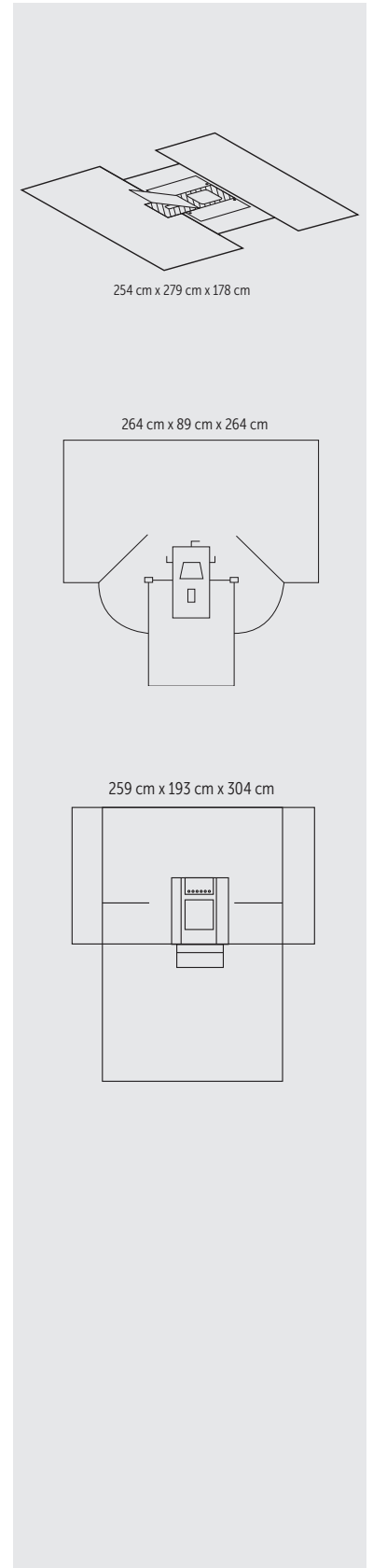
- SMS
- CONTROL\* Plus Fabric Reinforcement 38 x 76 cm
- Trapezoidal Abdominal Fenestration 18 x 23 x L 18 cm
- Perineal Fenestration 7 x 15 cm
- With Flap over both Fenestrations
- Positioning Tape around Abdominal Fenestration

CODE	DESCRIPTION	ITEMS/CASE
79222	Laparoscopy/Pelviscopy Drape, Non-Sterile	22

**LAPAROSCOPY/CHOLECYSTECTOMY DRAPE,  
295 X 193 X 304 CM**

- SMS
- CONTROL\* Plus Fabric Reinforcement 61 x 71 cm
- Fenestration 30 x 33 cm
- Instrument Pouch 48 x 33 cm
- Armboard Covers
- Tube Holders
- Positioning Tape

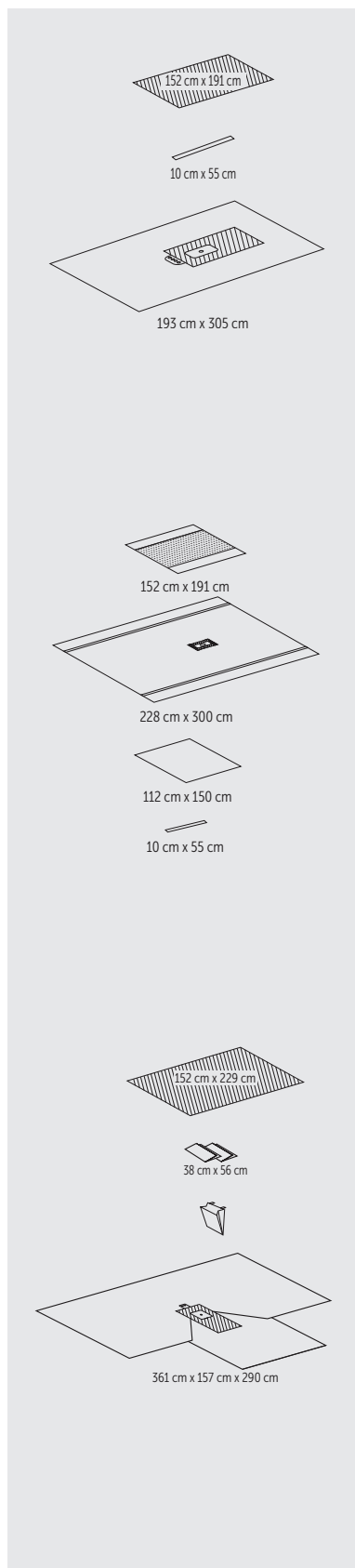
CODE	DESCRIPTION	ITEMS/CASE
79223	Laparoscopy/Cholecystectomy Drape, Non-Sterile	13



All codes in **bold** indicate a sterile product.

# ORTHOPAEDICS

## ORTHOPAEDIC PACKS



### UPPER EXTREMITY PACK

CODE	DESCRIPTION	ITEMS/CASE
<b>7781</b>	Upper Extremity Pack	9
STERILE	NON-STERILE	CONTENTS
-	-	1 Sterilisation Wrap 89 x 89 cm
<b>4222</b>	42428	1 Back Table Cover, Reinforced 152 x 191 cm
<b>89053</b>	79053	1 Tape Strip 10 x 55 cm
<b>89271</b>	79273	1 Extremity Drape 193 x 305 cm: <ul style="list-style-type: none"> <li>• Conformable Circular Fenestration 3 cm</li> <li>• CONTROL<sup>®</sup> Fabric Reinforcement</li> <li>• Tube Holders</li> </ul>

### HALYARD BASICS\* EXTREMITY PACK II

CODE	DESCRIPTION	ITEMS/CASE
<b>89684</b>	HALYARD BASICS* Extremity Pack II	10
STERILE	NON-STERILE	CONTENTS
<b>88673</b>	78669	1 Back Table Cover, Zone Reinforced 152 x 191 cm
-	-	1 Extremity Drape 228 x 300 cm: <ul style="list-style-type: none"> <li>• Oval Fenestration 8 x 6 cm, centered</li> <li>• Spunbond Film</li> </ul>
<b>89672</b>	79694	1 Half Drape 112 x 150 cm
-	-	1 Tape Strip 10 x 55 cm

All codes in **bold** indicate a sterile product.

**HAND PACK I**

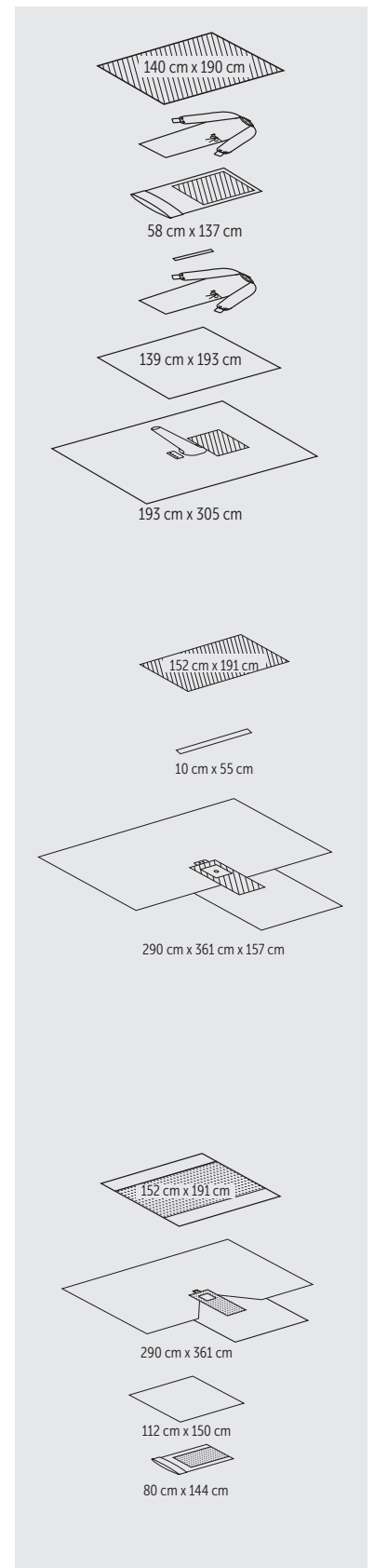
CODE	DESCRIPTION	ITEMS/CASE
<b>76226</b>	Hand Pack I	7
STERILE	NON-STERILE	CONTENTS
<b>42345</b>	-	1 Back Table Cover, Reinforced 140 x 190 cm
<b>89601</b>	79601	1 Mayo Stand Cover 58 x 137 cm
<b>90012</b>	79970	1 Surgical Gown Set-in-Sleeves Large
<b>90043</b>	79983	1 Surgical Gown Raglan Sleeves XL, X-Long
<b>89053</b>	79053	2 Tape Strips 10 x 55 cm
<b>47622</b>	47623	1 Large Drape 193 x 139 cm
-	-	1 Hand Drape 193 x 305 cm <ul style="list-style-type: none"> <li>• Attached Sleeve</li> <li>• Tube Holders</li> <li>• CONTROL<sup>+</sup> Plus Fabric Reinforcement</li> </ul>

**HAND PACK**

CODE	DESCRIPTION	ITEMS/CASE
<b>77783</b>	Hand Pack	7
STERILE	NON-STERILE	CONTENTS
-	-	1 Sterilisation Wrap 89 x 89 cm
<b>42222</b>	42428	1 Back Table Cover, Reinforced 152 x 191 cm
<b>89053</b>	79053	1 Tape Strip 10 x 55 cm
<b>77450</b>	13227 (handi-bin)	1 Hand Drape 290 x 361 x 157 cm: <ul style="list-style-type: none"> <li>• Conformable Circular Fenestration 3 cm</li> <li>• CONTROL<sup>+</sup> Plus Fabric Reinforcement</li> <li>• Tube Holders</li> <li>• Gusseted Hand Table Cover 157 x 147 cm</li> <li>• Positioning Tape</li> </ul>

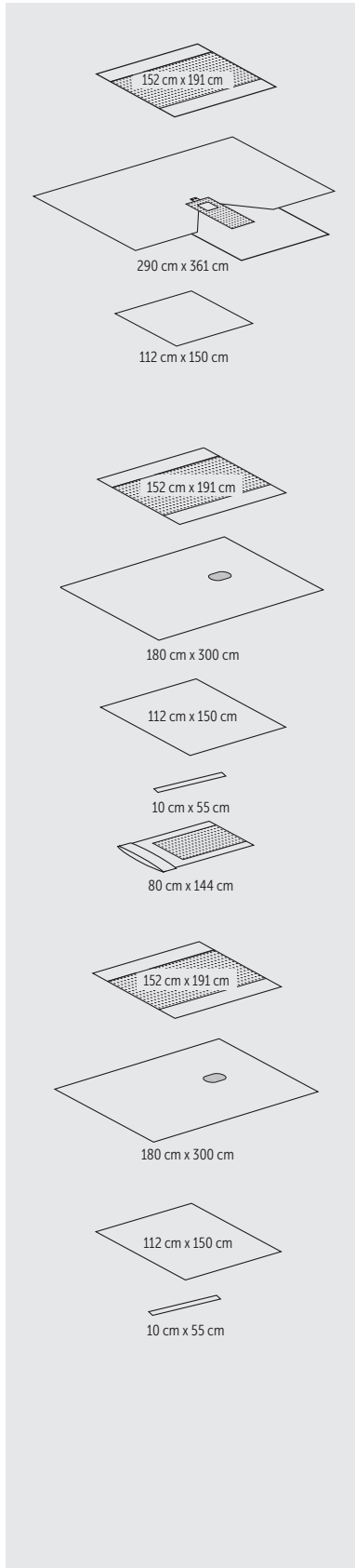
**HALYARD BASICS\* HAND PACK**

CODE	DESCRIPTION	ITEMS/CASE
<b>88910</b>	HALYARD BASICS* Hand Pack	10
STERILE	NON-STERILE	CONTENTS
<b>88673</b>	78669	1 Back Table Cover, Zone Reinforced 152 x 191 cm
<b>47348</b>	-	1 Mayo Stand Cover, Zone Reinforced 80 x 144 cm
-	-	1 Hand Drape 290 x 361 cm: <ul style="list-style-type: none"> <li>• Conformable Circular Fenestration 3 cm, centered</li> <li>• Absorbent Reinforcement</li> </ul>
<b>89672</b>	79694	1 Half Drape 112 x 150 cm



All codes in **bold** indicate a sterile product.

# ORTHOPAEDIC PACKS



## HALYARD BASICS\* HAND PACK II

CODE	DESCRIPTION	ITEMS/CASE
<b>89687</b>	HALYARD BASICS* Hand Pack II	10
STERILE	NON-STERILE	CONTENTS
<b>88673</b>	78669	1 Back Table Cover, Zone Reinforced 152 x 191 cm
-	-	1 Hand Drape 290 x 361 cm: <ul style="list-style-type: none"> <li>• Conformable Circular Fenestration 3 cm, centered</li> <li>• Absorbent Reinforcement</li> </ul>
<b>89672</b>	79694	1 Half Drape 112 x 150 cm

## HALYARD BASICS\* HAND & FOOT PACK

CODE	DESCRIPTION	ITEMS/CASE
<b>88909</b>	HALYARD BASICS* Hand & Foot Pack	10
STERILE	NON-STERILE	CONTENTS
<b>88673</b>	78669	1 Back Table Cover, Zone Reinforced 152 x 191 cm
<b>47348</b>	-	1 Mayo Stand Cover, Zone Reinforced 80 x 144 cm
<b>89673</b>	-	1 Hand & Foot Drape 180 x 300 cm: <ul style="list-style-type: none"> <li>• Conformable Circular Fenestration 3 cm, centered</li> <li>• Spunbond Film</li> </ul>
<b>89672</b>	79694	1 Half Drape 112 x 150 cm
-	-	1 Tape Strip 10 x 55 cm

## HALYARD BASICS\* HAND & FOOT PACK II

CODE	DESCRIPTION	ITEMS/CASE
<b>89685</b>	HALYARD BASICS* Hand & Foot Pack II	10
STERILE	NON-STERILE	CONTENTS
<b>88673</b>	78669	1 Back Table Cover, Zone Reinforced 152 x 191 cm
<b>89673</b>	-	1 Hand & Foot Drape 180 x 300 cm: <ul style="list-style-type: none"> <li>• Conformable Circular Fenestration 3 cm, centered</li> <li>• Spunbond Film</li> </ul>
<b>89672</b>	79694	1 Half Drape 112 x 150 cm
-	-	1 Tape Strip 10 x 55 cm

All codes in **bold** indicate a sterile product.

ARTHROSCOPY PACK II

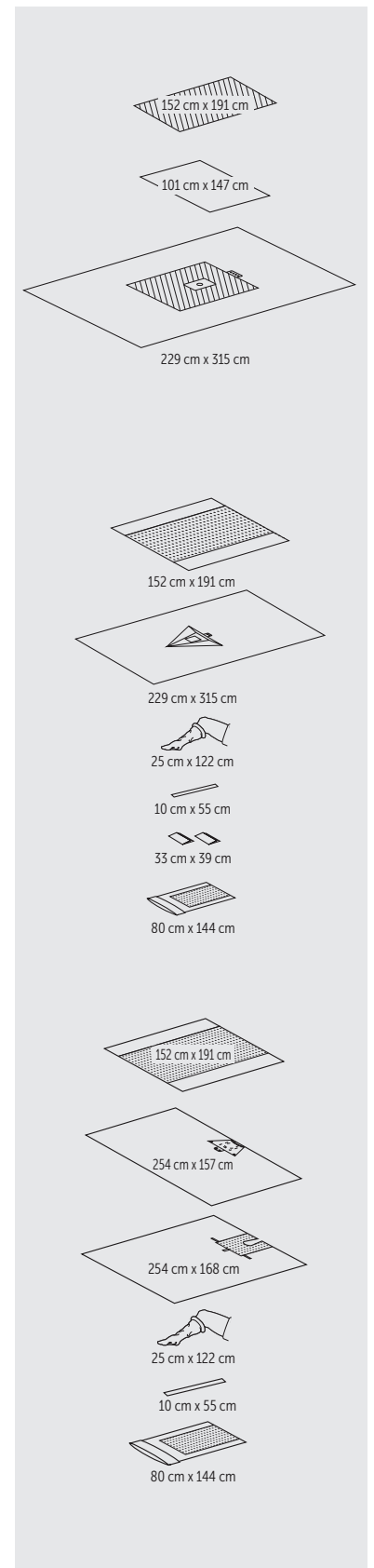
CODE	DESCRIPTION	ITEMS/CASE
<b>77881</b>	Arthroscopy Pack II	10
STERILE	NON-STERILE	CONTENTS
-	-	1 Sterilisation Wrap 89 x 89 cm
<b>42222</b>	42428	1 Back Table Cover, Reinforced 152 x 191 cm
<b>47614</b>	47616	1 Half Drape 101 x 147 cm
<b>89279</b>	79279	1 Universal Lower Extremity Drape 229 x 315 cm: <ul style="list-style-type: none"> <li>• Conformable Circular Fenestration 6 cm</li> <li>• CONTROL<sup>+</sup> Plus Fabric Reinforcement</li> <li>• Tube Holders</li> </ul>

HALYARD BASICS\* ARTHROSCOPIC CRUCIATE LIGAMENT (ACL) PACK

CODE	DESCRIPTION	ITEMS/CASE
<b>88907</b>	HALYARD BASICS* Arthroscopic Cruciate Ligament (ACL) Pack	5
STERILE	NON-STERILE	CONTENTS
<b>88673</b>	78669	1 Back Table Cover, Zone Reinforced 152 x 191 cm
<b>47348</b>	-	1 Mayo Stand Cover, Zone Reinforced 80 x 144 cm
-	-	1 Knee Arthroscopy Drape 229 x 315 cm
-	-	1 Stockinette Medium 25 x 122 cm
-	-	1 Tape Strip 10 x 55 cm
-	-	2 Absorbent Towels 33 x 39 cm

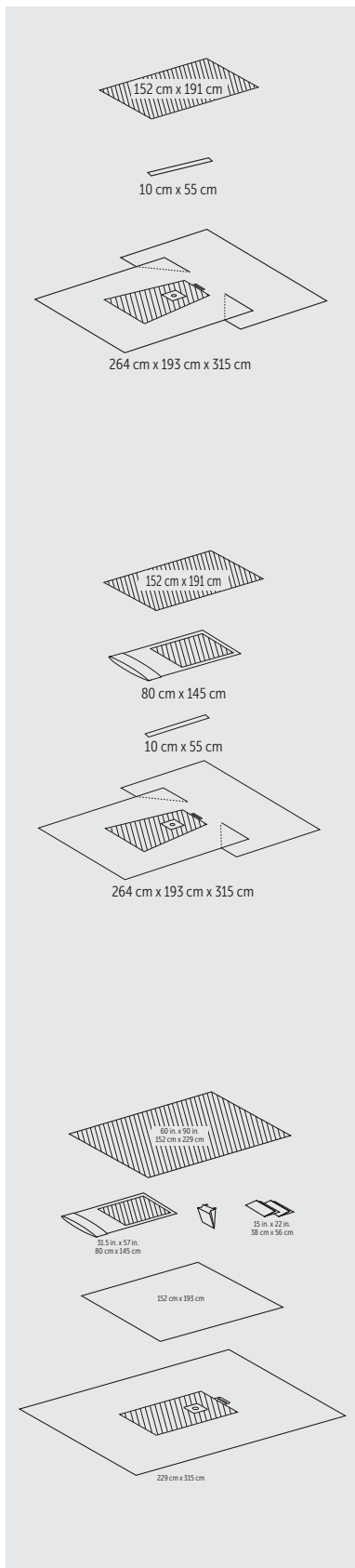
HALYARD BASICS\* SHOULDER ARTHROSCOPY PACK

CODE	DESCRIPTION	ITEMS/CASE
<b>88908</b>	HALYARD BASICS* Shoulder Arthroscopy Pack	5
STERILE	NON-STERILE	CONTENTS
<b>88673</b>	78669	1 Back Table Cover, Zone Reinforced 152 x 191 cm
<b>47348</b>	-	1 Mayo Stand Cover, Zone Reinforced 80 x 144 cm
-	-	1 Shoulder Arthroscopy Drape 254 x 157 cm: <ul style="list-style-type: none"> <li>• Fluid Collection Pouch</li> <li>• 10 x 53 cm Split</li> </ul>
-	-	1 Shoulder Split Drape 254 x 168 cm: <ul style="list-style-type: none"> <li>• 10 x 53 cm Split</li> </ul>
-	-	1 Stockinette Medium 25 x 122 cm
-	-	1 Tape Strip 10 x 55 cm



All codes in **bold** indicate a sterile product.

# ORTHOPAEDIC PACKS



## LOWER EXTREMITY PACK I

CODE	DESCRIPTION	ITEMS/CASE
<b>77790</b>	Lower Extremity Pack I	13
STERILE	NON-STERILE	CONTENTS
-	-	1 Sterilisation Wrap 89 x 89 cm
<b>42222</b>	42428	1 Back Table Cover, Reinforced 152 x 191 cm
<b>89053</b>	79053	1 Tape Strip 10 x 55 cm
-	13232 (handi-bin)	1 Extremity Drape 264 x 193 x 315cm: <ul style="list-style-type: none"> <li>• Conformable Circular Fenestration 6 cm</li> <li>• Armboard Covers</li> <li>• CONTROL* Plus Fabric Reinforcement</li> <li>• Tube Holders</li> </ul>

## LOWER EXTREMITY PACK II

CODE	DESCRIPTION	ITEMS/CASE
<b>77798</b>	Lower Extremity Pack II	9
STERILE	NON-STERILE	CONTENTS
-	-	1 Sterilisation Wrap 89 x 89 cm
<b>42222</b>	42428	1 Back Table Cover, Reinforced 152 x 191 cm
<b>89603</b>	79603	1 Mayo Stand Cover, 80 x 145 cm
<b>89053</b>	79053	1 Tape Strip 10 x 55 cm
-	13232 (handi-bin)	1 Extremity Drape 264 x 193 x 315cm: <ul style="list-style-type: none"> <li>• Conformable Circular Fenestration 6 cm</li> <li>• Armboard Covers</li> <li>• CONTROL* Plus Fabric Reinforcement</li> <li>• Tube Holders</li> </ul>

## LOWER EXTREMITY PACK

CODE	DESCRIPTION	ITEMS/CASE
<b>59706</b>	Lower Extremity Pack	6
STERILE	NON-STERILE	CONTENTS
-	42451	1 Back Table Cover, Reinforced 152 x 229 cm
<b>89603</b>	79603	1 Mayo Stand Cover 80 x 145 cm
-	-	1 Suture Bag
<b>89701</b>	79720	1 Absorbent Towel 38 x 56 cm
-	-	1 Large Drape 152 x 193 cm
<b>89279</b>	79279	1 Universal Extremity Drape <ul style="list-style-type: none"> <li>• Conformable Circular Fenestration 6 cm</li> <li>• CONTROL* Plus Fabric Reinforcement</li> <li>• Tube Holders</li> </ul>

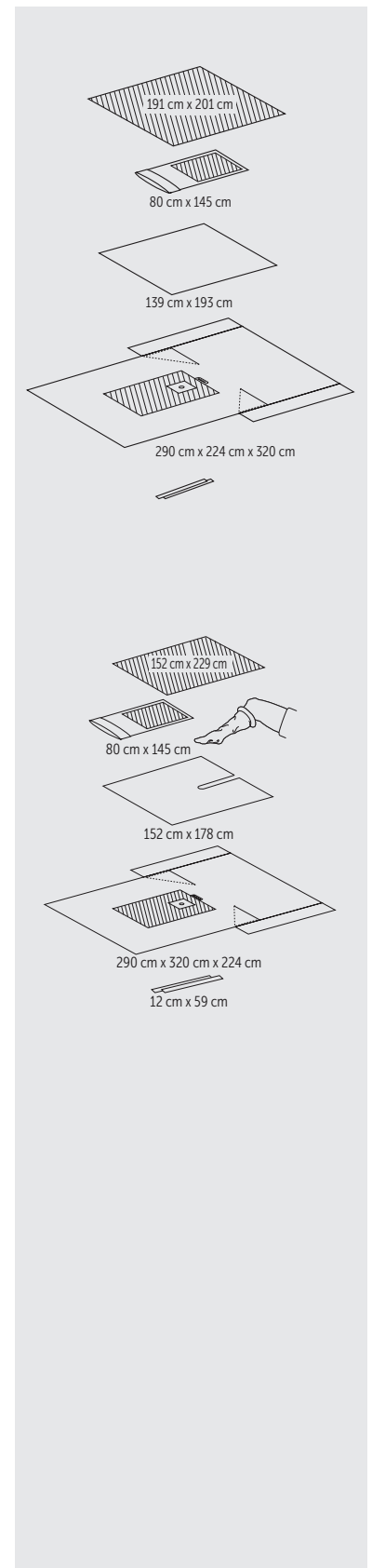
All codes in **bold** indicate a sterile product.

## LOWER EXTREMITY PACK

CODE	DESCRIPTION	ITEMS/CASE
<b>76246</b>	Lower Extremity Pack	5
STERILE	NON-STERILE	CONTENTS
<b>42312</b>	42313	1 Back Table Cover, Reinforced 191 x 201 cm
<b>89603</b>	79603	1 Mayo Stand Cover 80 x 145 cm
<b>47622</b>	47623	1 Large Drape 139 x 193 cm
<b>89053</b>	79053	2 Tape Strips 10 x 55 cm
<b>89278</b>	-	1 ORTHOARTS* Lower Extremity Drape 290 x 224 x 320 cm <ul style="list-style-type: none"> <li>• Conformable Circular Fenestration 6 cm</li> <li>• Armboard Covers</li> <li>• CONTROL* Plus Fabric Reinforcement</li> <li>• Tube Holders</li> <li>• Heavy Duty Fabric</li> </ul>

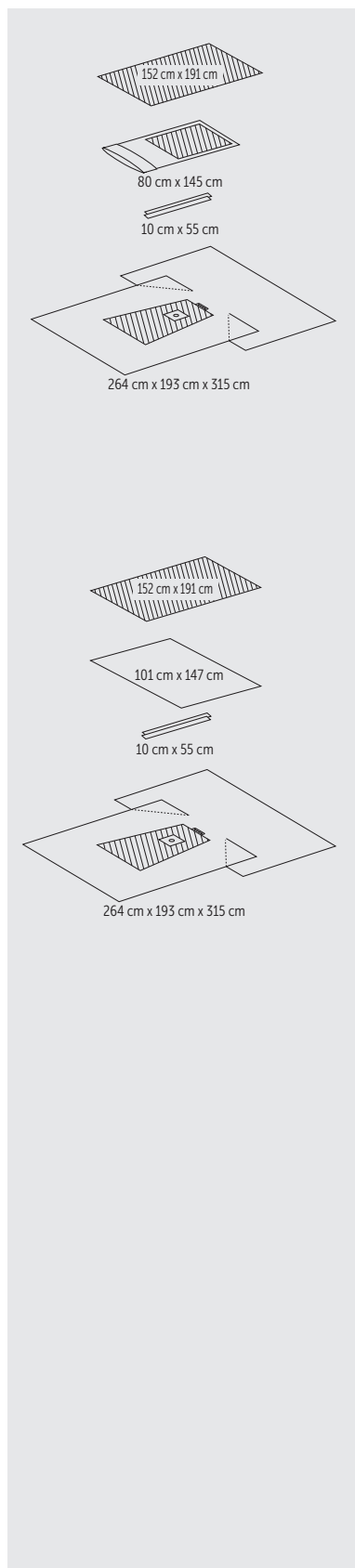
## ORTHOARTS\* PACK VII

CODE	DESCRIPTION	ITEMS/CASE
<b>88203</b>	ORTHOARTS* Pack VII	3
STERILE	NON-STERILE	CONTENTS
<b>42224</b>	42451	1 Back Table Cover, Reinforced 152 x 229 cm
<b>89603</b>	79603	1 Mayo Stand Cover 80 x 145 cm
<b>89811</b>	-	1 Impervious Stockinette, Medium 23 x 112 cm
<b>89331</b>	79330	1 Impervious Split Drape 152 x 178 cm: <ul style="list-style-type: none"> <li>• 10 x 53 cm Split</li> <li>• Positioning Tape</li> </ul>
<b>89278</b>	13233 (handi-bin)	1 ORTHOARTS* Lower Extremity Drape 290 x 320 x 224 cm: <ul style="list-style-type: none"> <li>• Conformable Circular Fenestration 6 cm</li> <li>• Armboard Covers</li> <li>• CONTROL* Plus Fabric Reinforcement</li> <li>• Tube Holders</li> <li>• Heavy Duty Fabric</li> </ul>
-	-	2 Iso-Seal Tape Strips 12 x 59 cm



All codes in **bold** indicate a sterile product.

# ORTHOPAEDIC PACKS



## KNEE PACK I

CODE	DESCRIPTION		ITEMS/CASE
<b>48756</b>	Knee Pack I		9
	STERILE	NON-STERILE	CONTENTS
	-	-	1 Sterilisation Wrap 89 x 89 cm
	<b>42222</b>	42428	1 Back Table Cover, Reinforced 152 x 191 cm
	<b>89603</b>	79603	1 Mayo Stand Cover 80 x 145 cm
	<b>89053</b>	79053	2 Tape Strips 10 x 55 cm
	-	13232 (handi-bin)	1 Extremity Drape 264 x 193 x 315cm: <ul style="list-style-type: none"> <li>• Conformable Circular Fenestration 6 cm</li> <li>• Armboard Covers</li> <li>• CONTROL<sup>+</sup> Plus Fabric Reinforcement</li> <li>• Tube Holders</li> </ul>

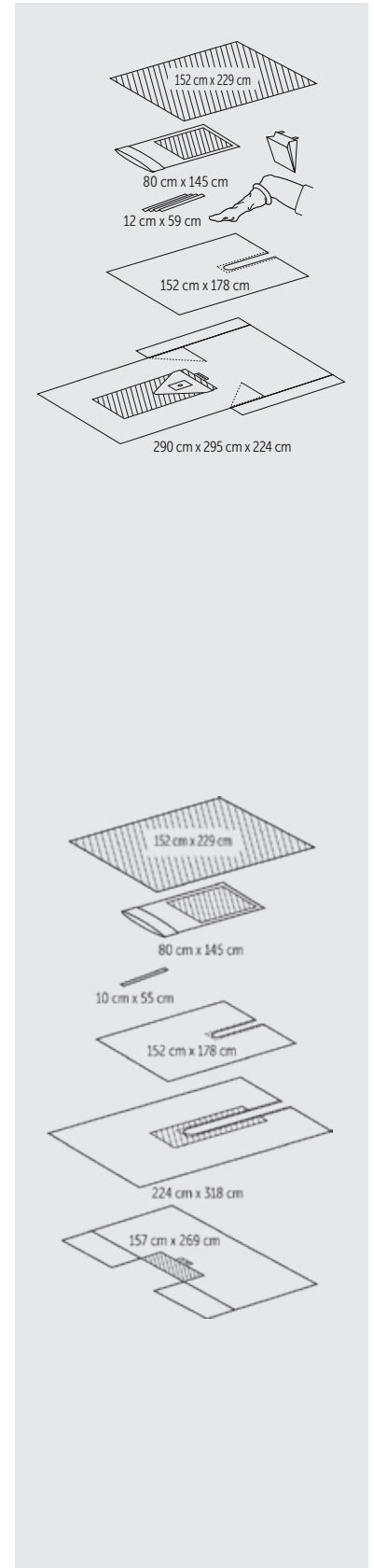
## KNEE PACK II

CODE	DESCRIPTION		ITEMS/CASE
<b>48757</b>	Knee Pack II		7
	STERILE	NON-STERILE	CONTENTS
	-	-	1 Sterilisation Wrap 89 x 89 cm
	<b>42222</b>	42428	1 Back Table Cover, Reinforced 152 x 191 cm
	<b>47614</b>	47616	1 Half Drape 101 x 147 cm
	<b>89053</b>	79053	2 Tape Strips 10 x 55 cm
	-	13232 (handi-bin)	1 Extremity Drape 264 x 193 x 315cm: <ul style="list-style-type: none"> <li>• Conformable Circular Fenestration 6 cm</li> <li>• Armboard Covers</li> <li>• CONTROL<sup>+</sup> Plus Fabric Reinforcement</li> <li>• Tube Holders</li> </ul>

All codes in **bold** indicate a sterile product.

ORTHOARTS\* ARTHROSCOPY PACK II

CODE	DESCRIPTION		ITEMS/CASE
<b>88213</b>	ORTHOARTS* Arthroscopy Pack II		4
STERILE	NON-STERILE	CONTENTS	
<b>42224</b>	42451	1 Back Table Cover, Reinforced 152 x 229 cm	
<b>89603</b>	79603	1 Mayo Stand Cover 80 x 145 cm	
-	-	1 Suture Bag	
-	-	4 Iso-Seal Tape Strips 12 x 59 cm	
<b>89821</b>	-	1 Impervious Stockinette, Large 30 x 122 cm	
<b>89331</b>	79330	1 Impervious Split Drape 152 x 178 cm: • 10 x 53 cm Split • Positioning Tape	
<b>89267</b>	79267	1 ORTHOARTS* Knee Arthroscopy Drape 290 x 295 x 224 cm: • Heavy Duty Fabric • Fluid Collection Pouch with Reflux Shields and Suction Port • Armboard Covers • CONTROL* Plus Fabric Reinforcement • Tube Holders	

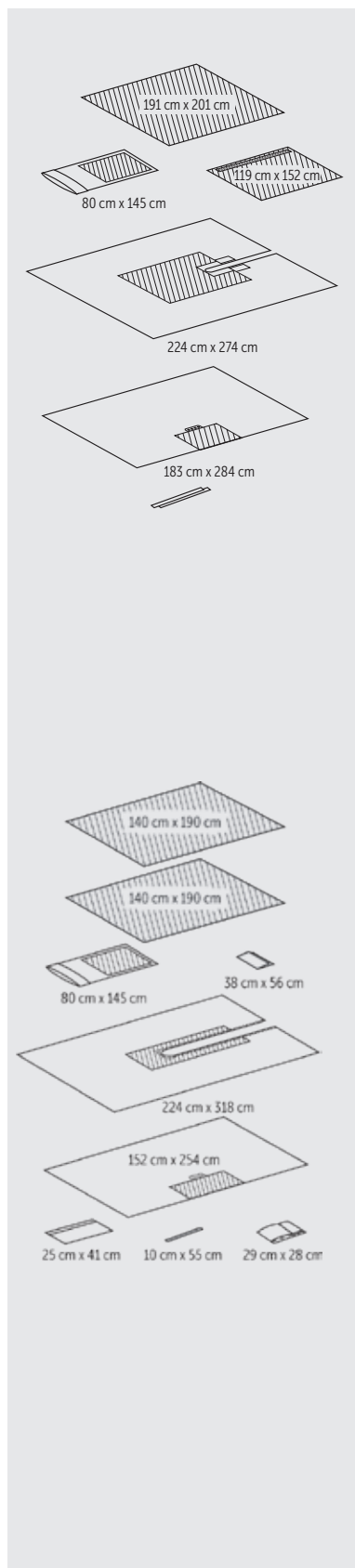


HIP PACK

CODE	DESCRIPTION		ITEMS/CASE
<b>48758</b>	Hip Pack		4
STERILE	NON-STERILE	CONTENTS	
-	-	1 Sterilisation Wrap 96 x 96 cm	
<b>42224</b>	42451	1 Back Table Cover, Reinforced 152 x 229 cm	
<b>89603</b>	79603	1 Mayo Stand Cover 80 x 145 cm	
<b>89053</b>	79053	1 Tape Strip 10 x 55 cm	
<b>89331</b>	79330	1 Impervious Split Drape 152 x 178 cm: • 10 x 53 cm Split • Positioning Tape	
-	76368	1 Ortho U-Drape 224 x 318 cm: • 15 x 137 cm Split • Positioning Tape • CONTROL* Plus Fabric Reinforcement	
-	76363	1 Bar Drape 157 x 269 cm: • Armboard Covers • Positioning Tape • CONTROL* Plus Fabric Reinforcement • Tube Holders	

All codes in **bold** indicate a sterile product.

# ORTHOPAEDIC PACKS



## HIP PACK

CODE	DESCRIPTION		ITEMS/CASE
<b>76249</b>	Hip Pack		5
	STERILE	NON-STERILE	CONTENTS
<b>42312</b>	42313		1 Back Table Cover, Reinforced 191 x 201 cm
<b>89603</b>	79603		1 Mayo Stand Cover 80 x 145 cm
-	-		1 Drape 119 x 152 cm • CONTROL <sup>+</sup> Plus Fabric Reinforcement
-	-		1 ORTHOARTS <sup>+</sup> U-Drape 224 x 274 cm • 12 x 101 cm Split • CONTROL <sup>+</sup> Plus Fabric Reinforcement • Positioning Tape • Heavy Duty Fabric
<b>89348</b>	79348		1 ORTHOARTS <sup>+</sup> Bar Drape 183 x 284 cm • Heavy Duty Fabric • CONTROL <sup>+</sup> Plus Fabric Reinforcement • Positioning Tape • Tube Holders

## HIP PACK I

CODE	DESCRIPTION		ITEMS/CASE
<b>48755</b>	Hip Pack I		6
	STERILE	NON-STERILE	CONTENTS
<b>42345</b>	-		2 Back Table Covers, Reinforced 140 x 190 cm
<b>89603</b>	79603		1 Mayo Stand Cover 80 x 145 cm
<b>89701</b>	79720		1 Absorbent Towel 38 x 56 cm
<b>89311</b>	79363		1 Ortho U-Drape 224 x 318 cm: • 15 x 137 cm Split • Positioning Tape • CONTROL <sup>+</sup> Plus Fabric Reinforcement
<b>89381</b>	79360		1 Ortho Bar Drape 152 x 254 cm: • Positioning Tape • CONTROL <sup>+</sup> Fabric Reinforcement • Tube Holders
-	-		1 Fluid Collection Pouch with Tape 25 x 41 cm
<b>89053</b>	79053		1 Tape Strip 10 x 55 cm
-	-		1 Diathermy Pouch 29 x 28 cm, Heavy Duty, Double Tape

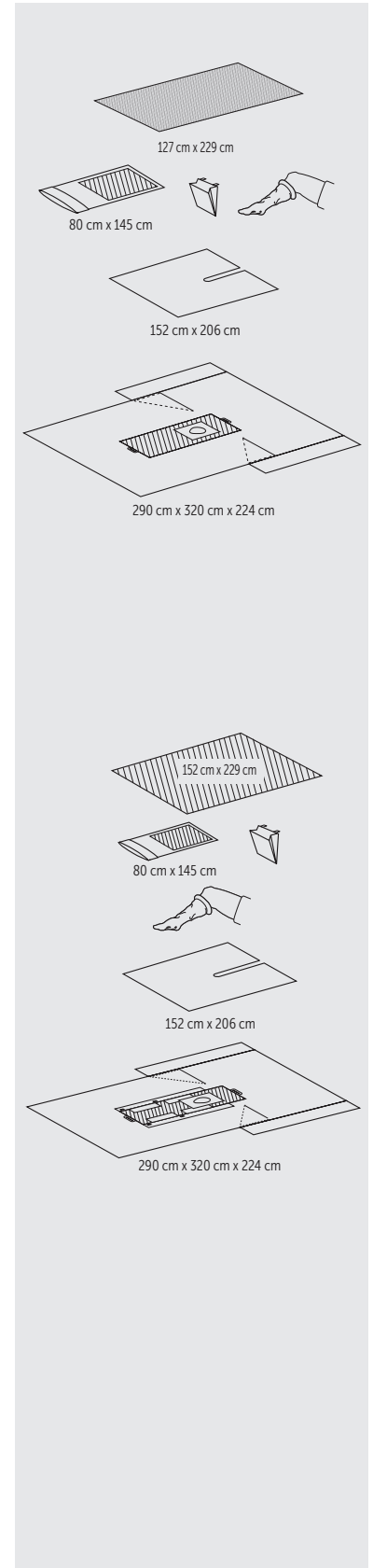
All codes in **bold** indicate a sterile product.

## ORTHOARTS\* HIP PACK II

CODE	DESCRIPTION	ITEMS/CASE
<b>88253</b>	ORTHOARTS* Hip Pack II	4
STERILE	NON-STERILE	CONTENTS
-	42449	1 Back Table Cover, Reinforced 127 x 229 cm
<b>89603</b>	79603	1 Mayo Stand Cover 80 x 145 cm
-	-	1 Suture Bag
<b>89821</b>	-	1 Impervious Stockinette, Large 30 x 122 cm
-	79333	1 Large Impervious Split Drape 152 x 206 cm: • 11 x 78 cm Split • Positioning Tape
-	79346	1 ORTHOARTS* Hip Drape 290 x 320 x 224 cm: • Heavy Duty Fabric • Armboard Covers • CONTROL* Plus Fabric Reinforcement • Tube Holders • Conformable Teardrop Fenestration

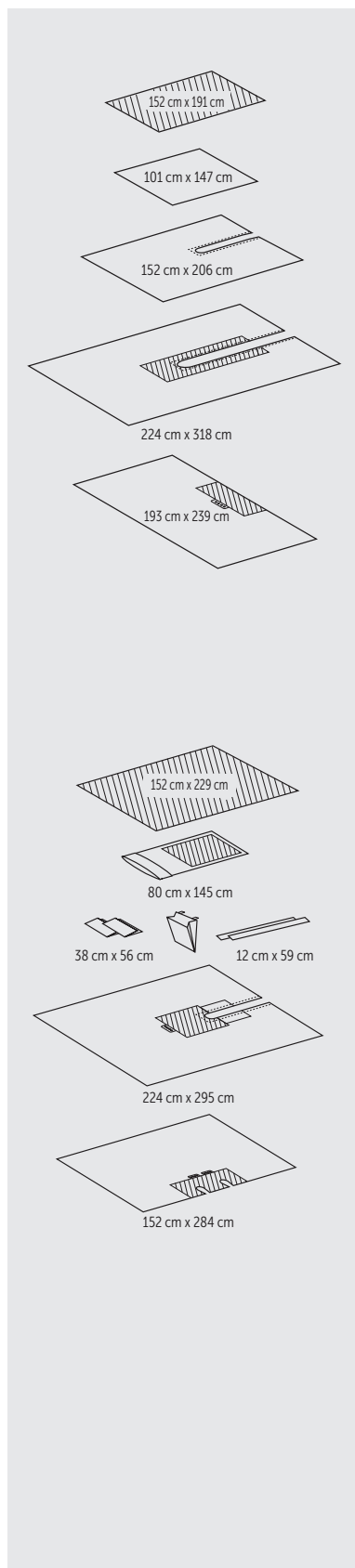
## ORTHOARTS\* HIP PACK

CODE	DESCRIPTION	ITEMS/CASE
<b>88183</b>	ORTHOARTS* Hip Pack	3
STERILE	NON-STERILE	CONTENTS
<b>42224</b>	42451	1 Back Table Cover, Reinforced 152 x 229 cm
<b>89603</b>	79603	1 Mayo Stand Cover 80 x 145 cm
-	-	1 Suture Bag
<b>89821</b>	-	1 Impervious Stockinette, Large 30 x 122 cm
-	79333	1 Large Impervious Split Drape 152 x 206 cm: • 11 x 78 cm Split • Positioning Tape
<b>89345</b>	79345	1 ORTHOARTS* Hip Drape with Pockets 290 x 320 x 224 cm: • Heavy Duty Fabric • Armboard Covers • CONTROL* Plus Fabric Reinforcement • Tube Holders • Pockets on both sides • Conformable Teardrop Fenestration



All codes in **bold** indicate a sterile product.

# ORTHOPAEDIC PACKS



## ORTHO MAJOR PACK III

CODE	DESCRIPTION	ITEMS/CASE
<b>88373</b>	ORTHO Major Pack III	7
STERILE	NON-STERILE	CONTENTS
-	-	1 Sterilisation Wrap 115 x 115 cm
<b>42222</b>	42428	1 Back Table Cover, Reinforced 152 x 191 cm
<b>47614</b>	47616	1 Half Drape 101 x 147 cm
-	79333	1 Large Impervious Split Drape 152 x 206 cm: <ul style="list-style-type: none"> <li>• 11 x 78 cm Split</li> <li>• Positioning Tape</li> </ul>
-	76368	1 Ortho U-Drape 224 x 318 cm: <ul style="list-style-type: none"> <li>• 15 x 137 cm Split</li> <li>• Positioning Tape</li> <li>• CONTROL<sup>+</sup> Plus Fabric Reinforcement</li> </ul>
-	78961	1 Top Drape 193 x 239 cm: <ul style="list-style-type: none"> <li>• Positioning Tape</li> <li>• CONTROL<sup>+</sup> Plus Fabric Reinforcement</li> <li>• Tube Holders</li> </ul>

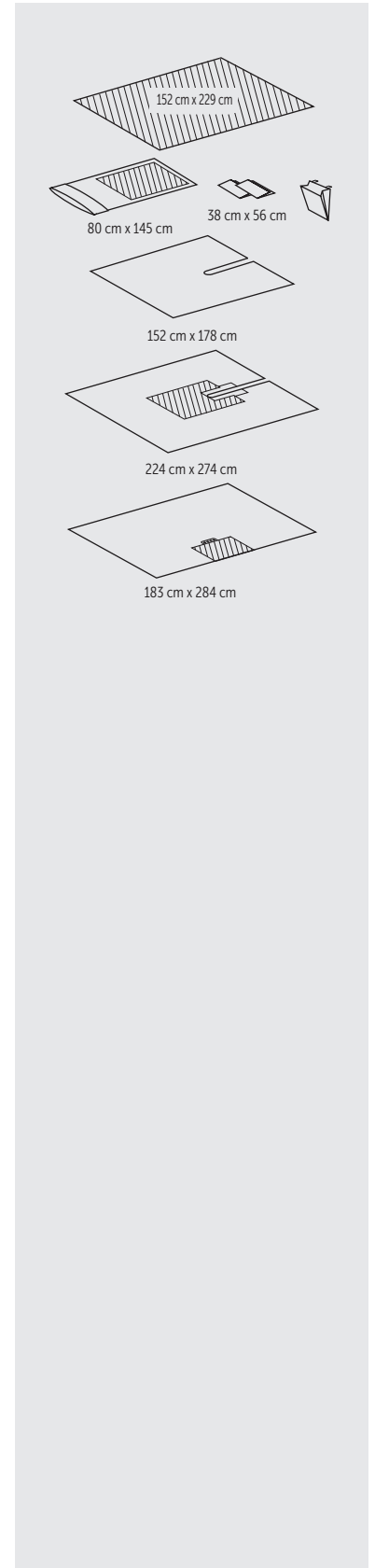
## ORTHOARTS\* SHOULDER PACK II

CODE	DESCRIPTION	ITEMS/CASE
<b>88243</b>	ORTHOARTS* Shoulder Pack II	5
STERILE	NON-STERILE	CONTENTS
<b>42224</b>	42451	1 Back Table Cover, Reinforced 152 x 229 cm
<b>89603</b>	79603	1 Mayo Stand Cover 80 x 145 cm
<b>89701</b>	79720	2 Absorbent Towels 38 x 56 cm
-	-	1 Suture Bag
-	-	2 Iso-Seal Tape Strips 12 x 59 cm
<b>89275</b>	79275	1 ORTHOARTS* Body Split Drape 224 x 295 cm: <ul style="list-style-type: none"> <li>• Heavy Duty Fabric</li> <li>• CONTROL<sup>+</sup> Plus Fabric Reinforcement</li> <li>• Positioning Tape</li> <li>• Tube Holders</li> </ul>
-	-	1 ORTHOARTS* Shoulder Split Drape 152 x 284 cm: <ul style="list-style-type: none"> <li>• Heavy Duty Fabric</li> <li>• CONTROL<sup>+</sup> Plus Fabric Reinforcement</li> <li>• 15 x 20 cm Bilateral Split</li> <li>• Positioning Tape</li> <li>• Tube Holders</li> </ul>

All codes in **bold** indicate a sterile product.

**ORTHOARTS\* U-BAR\* PACK**

CODE	DESCRIPTION		ITEMS/CASE
<b>88233</b>	ORTHOARTS* U-BAR* Pack		4
	STERILE	NON-STERILE	CONTENTS
<b>42224</b>		42451	1 Back Table Cover, Reinforced 152 x 229 cm
<b>89603</b>		79603	1 Mayo Stand Cover 80 x 145 cm
<b>89701</b>		79720	2 Absorbent Towels 38 x 56 cm
-		-	1 Suture Bag
<b>89331</b>		79330	1 Impervious Split Drape 152 x 178 cm: <ul style="list-style-type: none"> <li>• 10 x 53 cm Split</li> <li>• Positioning Tape</li> </ul>
-		13294 (handi-bin)	1 ORTHOARTS* U-Drape 224 x 274 cm: <ul style="list-style-type: none"> <li>• Heavy Duty Fabric</li> <li>• CONTROL* Fabric Reinforcement</li> <li>• Positioning Tape</li> </ul>
<b>89348</b>		79348	1 ORTHOARTS* Bar Drape 183 x 284 cm: <ul style="list-style-type: none"> <li>• Heavy Duty Fabric</li> <li>• CONTROL* Fabric Reinforcement</li> <li>• Positioning Tape</li> <li>• Tube Holders</li> </ul>



All codes in **bold** indicate a sterile product.

# ORTHOPAEDIC DRAPES

## ORTHOARTS\* SPLIT / BAR DRAPES

### ORTHOARTS\* BODY SPLIT DRAPE, 224 X 295 CM

- 11 x 69 cm Split
- Heavy-Duty Fabric
- CONTROL\* Plus Fabric Reinforcement 61 x 56 cm
- Tube Holders
- Positioning Tape

CODE	DESCRIPTION	ITEMS/CASE
<b>89275</b>	ORTHOARTS* Body Split Drape, Sterile	10
79275	ORTHOARTS* Body Split Drape, Non-Sterile	12

### ORTHOARTS\* BAR DRAPE, 284 X 183 CM

- Heavy-Duty Fabric
- CONTROL\* Plus Fabric Reinforcement 41 x 61 cm
- Tube Holders
- Positioning Tape

CODE	DESCRIPTION	ITEMS/CASE
<b>89348</b>	ORTHOARTS* Bar Drape, Sterile	12
79348	ORTHOARTS* Bar Drape, Non-Sterile	14

## IMPERVIOUS SPLIT DRAPES

### IMPERVIOUS SPLIT DRAPE, 152 X 178 CM

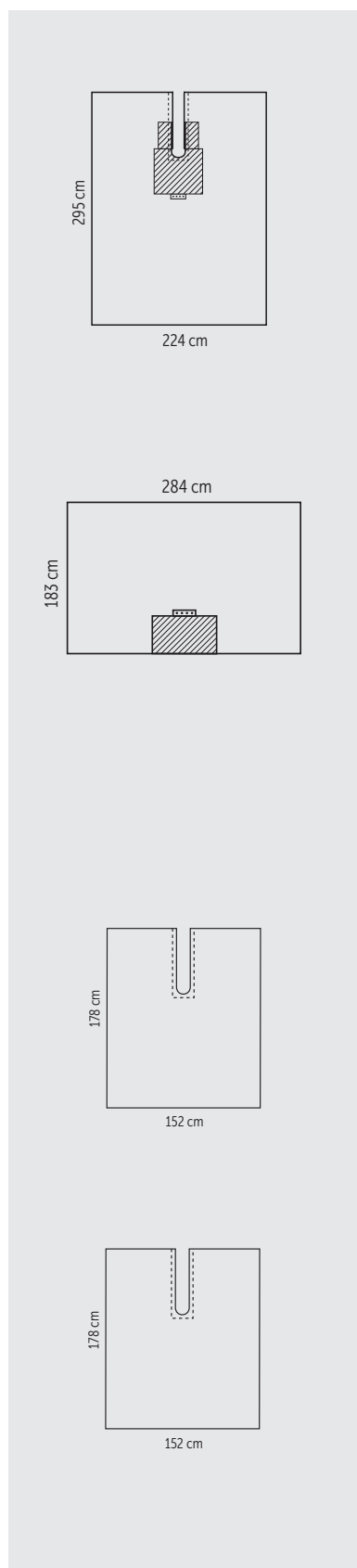
- 10 x 53 cm Split
- Positioning Tape

CODE	DESCRIPTION	ITEMS/CASE
<b>89331</b>	Impervious Split Drape, Sterile	42
79330	Impervious Split Drape, Non-Sterile	115

### HALYARD BASICS\* IMPERVIOUS SPLIT DRAPE, 152 X 178 CM

- 10 x 53 cm Split
- Poly
- Positioning Tape

CODE	DESCRIPTION	ITEMS/CASE
78660	HALYARD BASICS* Impervious Split Drape, Non-Sterile	65



All codes in **bold** indicate a sterile product.

**LARGE IMPERVIOUS SPLIT DRAPE, 152 X 206 CM**

- 11 x 78 cm Split
- Positioning Tape

CODE	DESCRIPTION	ITEMS/CASE
79333	Large Impervious Split Drape, Non-Sterile	100

**SPLIT DRAPE, 150 X 230 CM**

- 10 x 80 cm Split
- CONTROL\* Plus Fabric Reinforcement 61 x 140 cm
- Positioning Tape

CODE	DESCRIPTION	ITEMS/CASE
K793210	Split Drape, Non-Sterile	180

**EXTREMITY DRAPES**

**BILATERAL LIMB DRAPE, 193 X 305 CM**

- CONTROL\* Plus Fabric Reinforcement 102 x 81 cm
- Two Conformable Circular Fenestrations, 6 cm
- Tube Holders

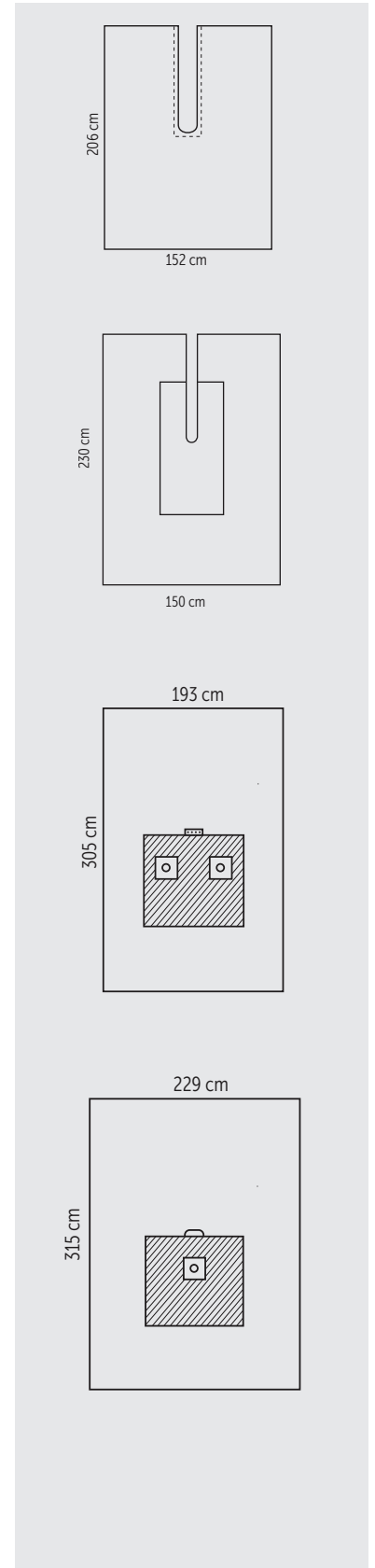
CODE	DESCRIPTION	ITEMS/CASE
<b>89291</b>	Bilateral Limb Drape, Sterile	14

**LOWER EXTREMITY DRAPES**

**UNIVERSAL EXTREMITY DRAPE, 229 X 315 CM**

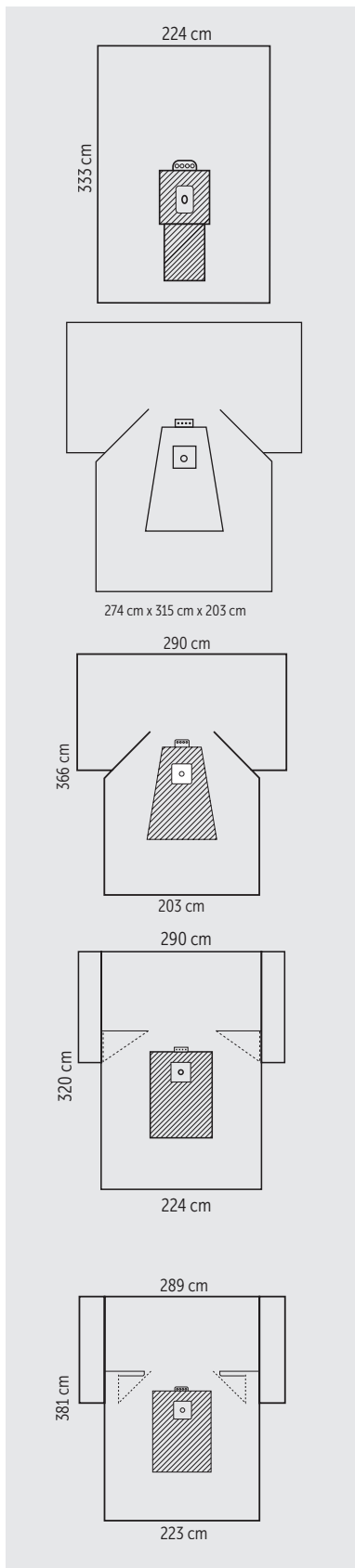
- CONTROL\* Plus Fabric Reinforcement 122 x 71 cm
- Conformable Circular Fenestration 6 cm
- Tube Holders

CODE	DESCRIPTION	ITEMS/CASE
<b>89279</b>	Universal Extremity Drape, Sterile	14
79279	Universal Extremity Drape, Non-Sterile	150
<b>K892791</b>	Universal Extremity Drape, Sterile	14



All codes in **bold** indicate a sterile product.

# ORTHOPAEDIC DRAPES



## LOWER EXTREMITY DRAPE, 224 X 333 CM

- CONTROL\* Plus Fabric Reinforcement 81 x 81 cm
- Conformable Circular Fenestration 6 cm
- Tube Holders

CODE	DESCRIPTION	ITEMS/CASE
<b>89276</b>	Lower Extremity Drape, Sterile	14
13228	Lower Extremity Drape, Non-Sterile - handi-bin	192

## LOWER EXTREMITY DRAPE, 274 X 315 X 203 CM

- CONTROL\* Plus Fabric Reinforcement 51 x 91 x 122 cm
- Circular Fenestration 6 cm

CODE	DESCRIPTION	ITEMS/CASE
13232	Lower Extremity Drape, Non-Sterile	130

## LOWER EXTREMITY DRAPE, 289 X 203 X 365 CM

- CONTROL\* Plus Fabric Reinforcement 51 x 91 x 122 cm
- Circular Fenestration 6 cm
- SMS Fabric

CODE	DESCRIPTION	ITEMS/CASE
<b>29222</b>	Extra-Long Extremity Drape	13

## ORTHOARTS\* LOWER EXTREMITY DRAPE, 290 X 320 X 224 CM

- Armboard Covers
- Conformable Circular Fenestration 6 cm
- Heavy-Duty Fabric
- CONTROL\* Plus Fabric Reinforcement 91 x 122 cm
- Tube Holders

CODE	DESCRIPTION	ITEMS/CASE
<b>89278</b>	ORTHOARTS* Lower Extremity Drape, Sterile	7
13233	ORTHOARTS* Lower Extremity Drape, Non-Sterile - handi-bin	84

## ORTHOARTS\* EXTRA LONG LOWER EXTREMITY DRAPE, 289 X 381 X 223 CM

- Heavy-duty SMS
- Absorbent CONTROL\* Plus fabric reinforcement
- Elastic film with 6 cm circular fenestration
- Armboard covers
- Tube holders
- Extra length for coverage where needed

CODE	DESCRIPTION	ITEMS/CASE
<b>29219</b>	ORTHOARTS* Extra Long Lower Extremity Drape, Sterile	8
29220	ORTHOARTS* Extra Long Lower Extremity Drape, Non-Sterile	8

All codes in **bold** indicate a sterile product.

**EXTRA LONG LOWER EXTREMITY DRAPE,  
290 X 366 X 203 CM**

- Heavy-duty SMS
- Absorbent CONTROL\* Plus fabric reinforcement
- Elastic film with 6 cm circular fenestration
- Armboard covers
- Tube holders
- Extra length for coverage where needed

CODE	DESCRIPTION	ITEMS/CASE
29223	Extra Long Lower Extremity Drape, Non-Sterile	14

**UPPER EXTREMITY DRAPES**

**UPPER EXTREMITY DRAPE, 193 X 305 CM**

- CONTROL\* Plus Fabric Reinforcement 61 x 102 cm
- Conformable Circular Fenestration 3 cm
- Tube Holders

CODE	DESCRIPTION	ITEMS/CASE
<b>89271</b>	Upper Extremity Drape, Sterile	14
79273	Upper Extremity Drape, Non-Sterile	20

**SHOULDER DRAPES**

**SHOULDER ARTHROSCOPY DRAPE, 406 X 259 CM**

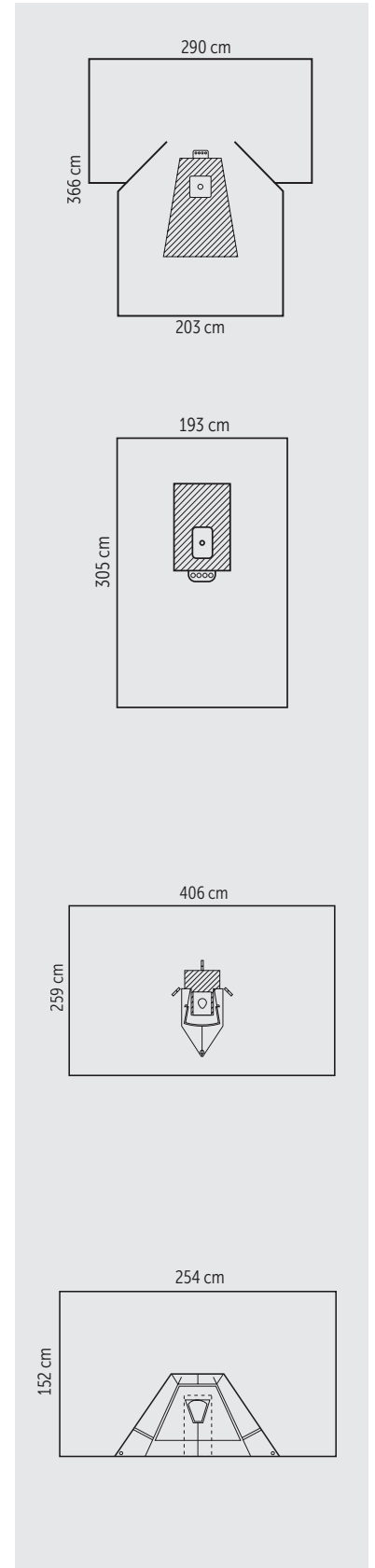
- Attached Fluid Collection Pouch with Suction Port
- Hook and Loop Tube and Line Control
- Conformable Tear Drop Fenestration 6 cm
- Instrument Pad Fabric Reinforcement 53 x 66 cm

CODE	DESCRIPTION	ITEMS/CASE
<b>89070</b>	Shoulder Arthroscopy Drape, Sterile	10
79070	Shoulder Arthroscopy Drape, Non-Sterile	12

**ORTHOARTS\* SHOULDER ARTHROSCOPY DRAPE,  
254 X 152 CM**

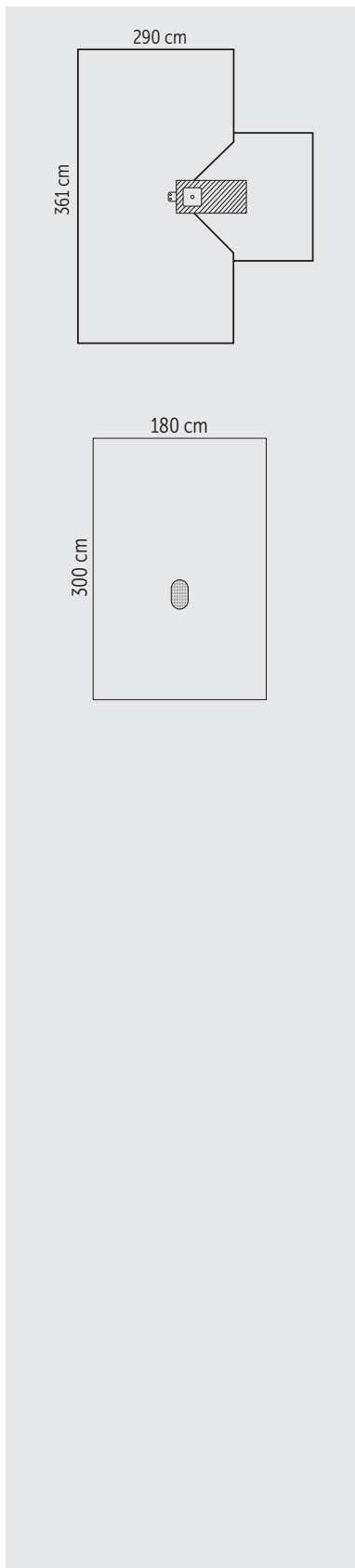
- Attached Fluid Collection Pouch with Suction Ports
- Heavy-Duty Fabric
- Positioning Tape

CODE	DESCRIPTION	ITEMS/CASE
<b>89492</b>	ORTHOARTS* Shoulder Arthroscopy Drape, Sterile	12
79492	ORTHOARTS* Shoulder Arthroscopy Drape, Non-Sterile	15



All codes in **bold** indicate a sterile product.

# ORTHOPAEDIC DRAPES



## HAND DRAPES

### HAND DRAPE, 290 X 361 CM

- CONTROL\* Plus Fabric Reinforcement 86 x 41 cm
- Gusseted Hand Table Cover 157 x 147 cm
- Conformable Circular Fenestration 3 cm
- Tube Holders
- Positioning Tape

CODE	DESCRIPTION	ITEMS/CASE
<b>77450</b>	Hand Drape, Sterile	11
13227	Hand Drape, Non-Sterile - handi-bin	108

### HALYARD BASICS\* HAND & FOOT DRAPE, 180 X 300 CM

- Conformable Circular Fenestration 3 cm, centered
- Spunbond Film

CODE	DESCRIPTION	ITEMS/CASE
<b>89673</b>	HALYARD BASICS* Hand & Foot Drape, Sterile	20
79695	HALYARD BASICS* Hand & Foot Drape, Non-Sterile	30

## HIP DRAPES

### ORTHOARTS\* HIP DRAPE, 290 X 320 X 224 CM

- Armboard Covers
- Conformable Teardrop Fenestration 21 x 17 cm
- Heavy-Duty Fabric
- CONTROL\* Plus Fabric Reinforcement 152 x 61 cm
- Tube Holders

CODE	DESCRIPTION	ITEMS/CASE
79346	ORTHOARTS* Hip Drape, Non-Sterile	7

### ORTHOARTS\* HIP DRAPE WITH POCKETS, 290 X 320 X 224 CM

- Pockets on Both Sides
- Armboard Covers
- Conformable Teardrop Fenestration 21 x 17 cm
- Heavy-Duty Fabric
- CONTROL\* Plus Fabric Reinforcement 61 x 152 cm
- Tube Holders

CODE	DESCRIPTION	ITEMS/CASE
<b>89345</b>	ORTHOARTS* Hip Drape with Pockets, Sterile	6
79345	ORTHOARTS* Hip Drape with Pockets, Non-Sterile	6

All codes in **bold** indicate a sterile product.

**ANTERIOR HIP DRAPE WITH LEGGINGS, 401 X 231 CM**

- Main Drape size : 401 x 231 cm
- Reinforcement size : 137 x 122 cm
- Fenestration size : 15 x 28 cm each one
- Basis weight: Thickness of base material: 78 GSM Tri-lamination Fabric
- High performance fabric as defined by EN 13795:2011
- Test results as per EN13795 available upon request

CODE	DESCRIPTION	ITEMS/CASE
<b>K893462</b>	Anterior Hip drape with leggings, Sterile	12
K793462	Anterior Hip drape with leggings, Non-Sterile	14

**ANTERIOR HIP DRAPE WITH INCISE FILM AND FENESTRATION 15X20 CM**

- Main drape size: 315 x 400 cm
- Reinforcement size: 122 x 178 cm
- Fenestration size: 15 x 21 cm (x2)
- Leggings: 80 x 122 cm (x2)

CODE	DESCRIPTION	ITEMS/CASE
<b>K893463</b>	Anterior Hip Drape with Incise Film and Fenestration, Sterile	12
K793463	Anterior Hip Drape with Incise Film and Fenestration, Non-Sterile	12

**ANTERIOR HIP DRAPE WITH FENESTRATION 15X20 CM**

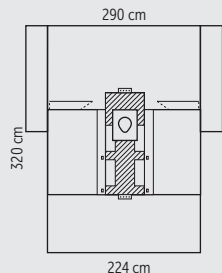
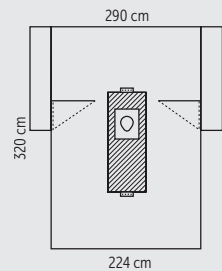
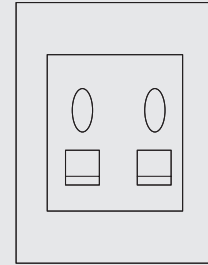
- Main drape size: 315 x 400 cm
- Reinforcement size: 122 x 178 cm
- Fenestration size: 15 x 21 cm (x2)
- Leggings: 80 x 122 cm (x2)

CODE	DESCRIPTION	ITEMS/CASE
<b>K893464</b>	Anterior Hip Drape with Fenestration, Sterile	12
K793464	Anterior Hip Drape with Fenestration, Non-Sterile	12

**ANTERIOR HIP DRAPE WITH INCISE FILM AND FENESTRATION 20X28 CM**

- Main drape size: 315 x 400 cm
- Reinforcement size: 122 x 178 cm
- Fenestration size: 15 x 28 cm (x2)
- Leggings: 80 x 122 cm (x2)

CODE	DESCRIPTION	ITEMS/CASE
<b>K893467</b>	Anterior Hip Drape with Incise Film and Fenestration, Sterile	6
K793467	Anterior Hip Drape with Incise Film and Fenestration, Non-Sterile	6



All codes in **bold** indicate a sterile product.

# ORTHOPAEDIC DRAPES

## ANTERIOR HIP DRAPE WITH FENESTRATION 20X28 CM

- Main drape size: 315 x 400 cm
- Reinforcement size: 122 x 178 cm
- Fenestration size: 15 x 28 cm (x2)
- Leggings: 80 x 122 cm (x2)

CODE	DESCRIPTION	ITEMS/CASE
<b>K893468</b>	Anterior Hip Drape with Fenestration, Sterile	6
K793468	Anterior Hip Drape with Fenestration, Non-Sterile	6

## VERTICAL ISOLATION DRAPES

### VERTICAL ISOLATION DRAPE, 320 X 229 CM

- Clear Film
- Adhesive Incise Area 41 x 76 cm
- Fluid Collection Pouch with Suction Port
- Tube Holders
- With Tape Strip for Attachment to Horizontal Rod
- Attachable Instrument Pouch

CODE	DESCRIPTION	ITEMS/CASE
<b>77723</b>	Vertical Isolation Drape, Sterile	14
76375	Vertical Isolation Drape, Non-Sterile	15

### VERTICAL ISOLATION DRAPE, 320 X 279 CM

- Clear Film
- Adhesive Incise Area
- Fluid Collection Pouch with Suction Port
- Tube Holders
- With Tape Strip for Attachment to Horizontal Rod

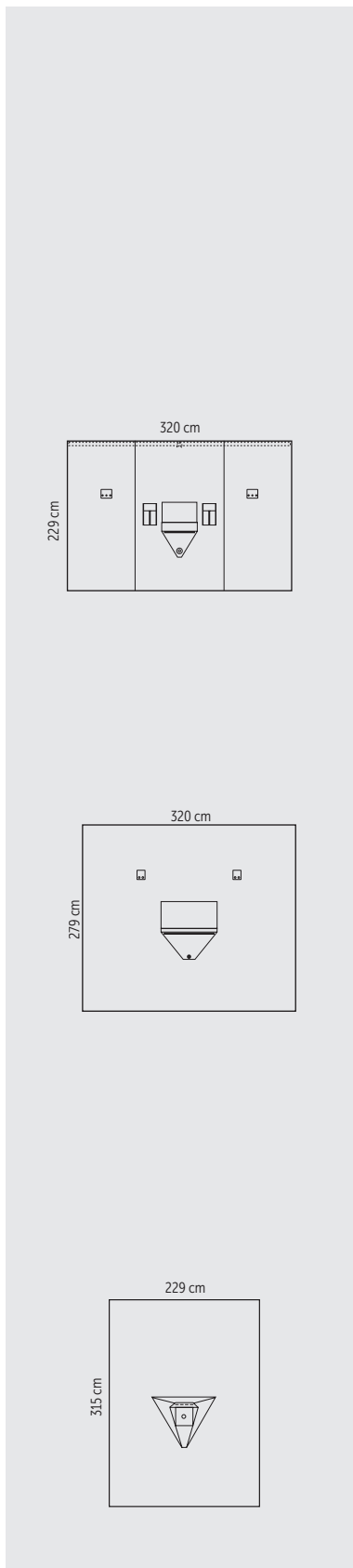
CODE	DESCRIPTION	ITEMS/CASE
<b>33415</b>	Vertical Isolation Drape, Sterile	9
33412	Vertical Isolation Drape, Non-Sterile	11

## KNEE ARTHROSCOPY DRAPES

### KNEE ARTHROSCOPY DRAPE, 229 X 315 CM

- Attached Fluid Collection Pouch with Suction Port
- Conformable Circular Fenestration 6 cm
- Tube Holders

CODE	DESCRIPTION	ITEMS/CASE
<b>89265</b>	Knee Arthroscopy Drape, Sterile	10
79265	Knee Arthroscopy Drape, Non-Sterile	150



All codes in **bold** indicate a sterile product.

## ORTHOARTS\* KNEE ARTHROSCOPY DRAPE, 290 X 295 X 224 CM

- Armboard Covers
- Fluid Collection Pouch with Reflux Shields and Suction Port
- Heavy-Duty Fabric
- CONTROL\* Plus Fabric Reinforcement 91 x 121 cm
- Tube Holders

CODE	DESCRIPTION	ITEMS/CASE
<b>89267</b>	ORTHOARTS* Knee Arthroscopy Drape, Sterile	7
79267	ORTHOARTS* Knee Arthroscopy Drape, Non-Sterile	7

## UNIVERSAL SPINE DRAPES

### UNIVERSAL SPINE DRAPE, 284 X 350 X 251 CM

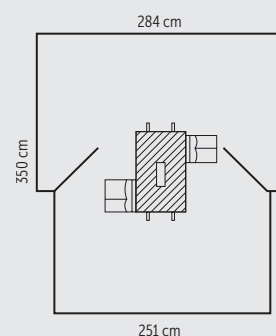
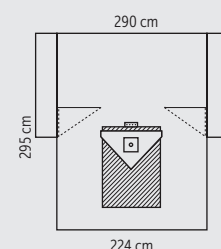
- SMS
- Absorbent CONTROL\* Plus fabric reinforcement
- 10 x 30 cm fenestration
- Armboard covers
- Hook-n-loop tube holders
- Clear instrument pouch

CODE	DESCRIPTION	ITEMS/CASE
<b>29221</b>	Universal Spine Drape, Sterile	8
29224	Universal Spine Drape, Non-Sterile	9

## U-DRAPES

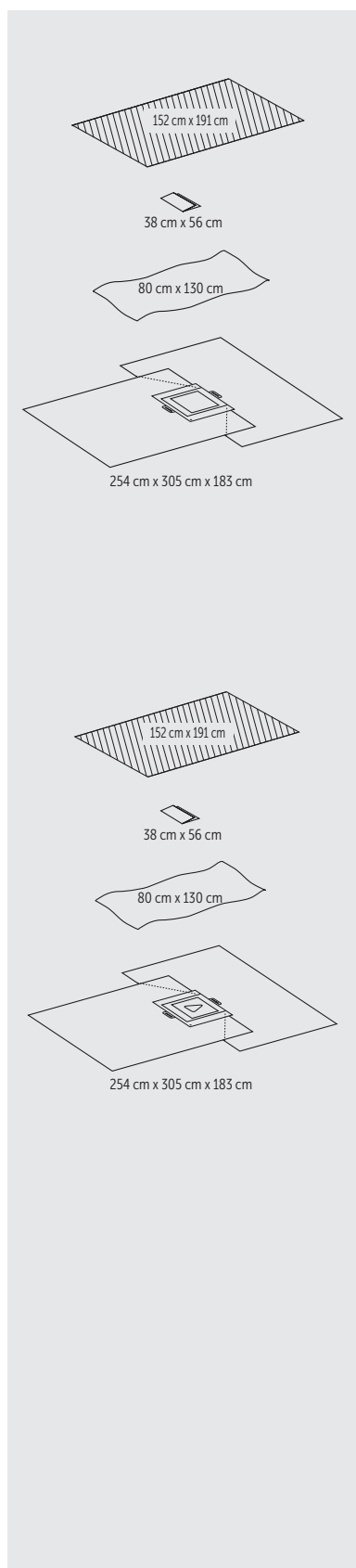
### ORTHOPAEDIC U-DRAPE

CODE	DESCRIPTION	ITEMS/CASE
K793632	Orthopaedic U-drape, Non-Sterile	22



# GYNAECOLOGY & OBSTETRICS

## GYNAECOLOGY & OBSTETRICS PACKS



### C-SECTION PACK I

CODE	DESCRIPTION	ITEMS/CASE
<b>77454</b>	C-Section Pack I	9
STERILE	NON-STERILE	CONTENTS
-	-	1 Sterilisation Wrap 96 x 96 cm
<b>42222</b>	42428	1 Back Table Cover, Reinforced 152 x 191 cm
<b>89701</b>	79720	1 Absorbent Towel 38 x 56 cm
-	76394	1 Baby Blanket 80 x 130 cm: • Absorbent
<b>89529</b>	79529	1 C-Section Fluid Collection Drape 254 x 305 x 183 cm: • Full Adhesive Incise Area • Fluid Collection Pouch with Suction Port and Malleable Band • Armboard Covers • Tube Holders

### C-SECTION PACK II

CODE	DESCRIPTION	ITEMS/CASE
<b>77455</b>	C-Section Pack II	8
STERILE	NON-STERILE	CONTENTS
-	-	1 Sterilisation Wrap 96 x 96 cm
<b>42222</b>	42428	1 Back Table Cover, Reinforced 152 x 191 cm
<b>89701</b>	79720	1 Absorbent Towel 38 x 56 cm
-	76394	1 Baby Blanket 80 x 130 cm: • Absorbent
<b>89528</b>	79528	1 C-Section Fluid Collection Drape 254 x 305 x 183 cm: • Triangular Fenestrated Adhesive Incise Area • Fluid Collection Pouch with Suction Port and Malleable Band • Armboard Covers • Tube Holders

All codes in **bold** indicate a sterile product.

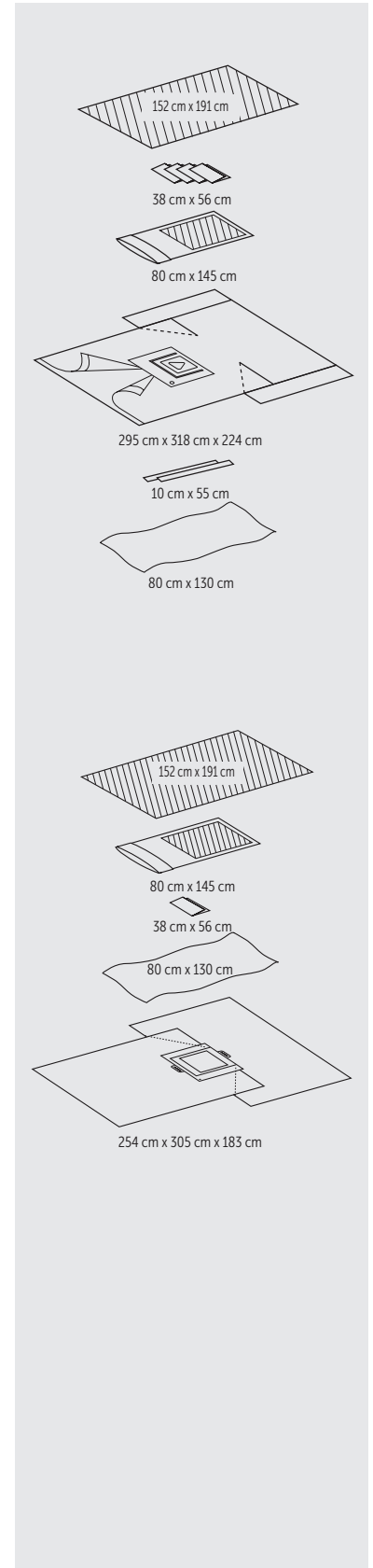
# GYNAECOLOGY & OBSTETRICS PACKS

## C-SECTION PACK III

CODE	DESCRIPTION		ITEMS/CASE
<b>88354</b>	C-Section Pack III		11
STERILE	NON-STERILE	CONTENTS	
<b>42222</b>	42428	1 Back Table Cover, Reinforced 152 x 191 cm	
<b>89603</b>	79603	1 Mayo Stand Cover 80 x 145 cm	
<b>89701</b>	79720	4 Absorbent Towels 38 x 56 cm	
	76353	1 C-Section Drape with Attached Leggings 295 x 318 x 224 cm: <ul style="list-style-type: none"> <li>• Armboard Covers</li> <li>• Attached Leggings</li> <li>• 36 x 33 cm Adhesive Incise Area with Triangular Fenestration</li> <li>• Fluid Collection Pouch with Suction Port</li> </ul>	
-	76394	1 Baby Blanket 80 x 130 cm: <ul style="list-style-type: none"> <li>• Absorbent</li> </ul>	
<b>89053</b>	79053	2 Tape Strips 10 x 55 cm	

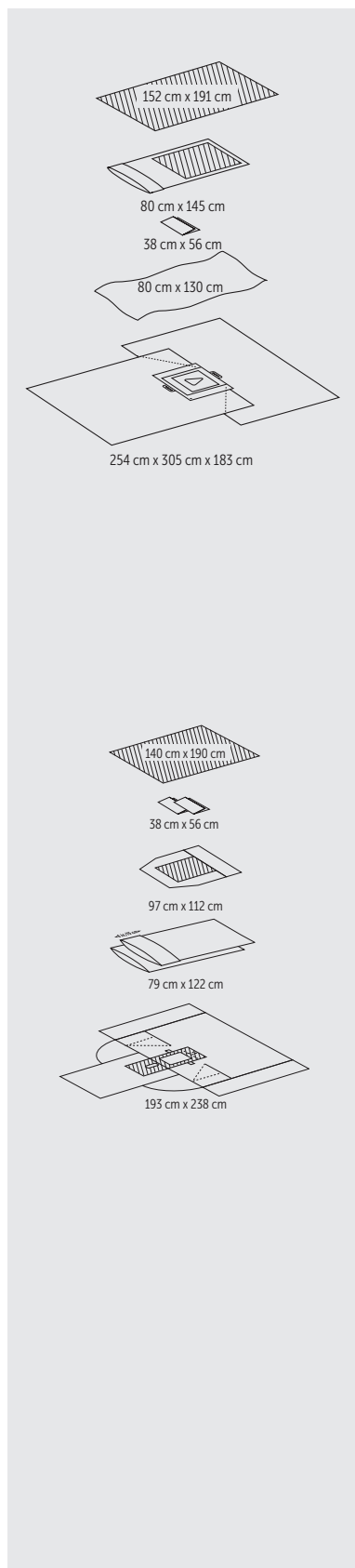
## C-SECTION PACK IV

CODE	DESCRIPTION		ITEMS/CASE
<b>77491</b>	C-Section Pack IV		10
STERILE	NON-STERILE	CONTENTS	
-	-	1 Sterilisation Wrap 96 x 96 cm	
<b>42222</b>	42428	1 Back Table Cover, Reinforced 152 x 191 cm	
<b>89603</b>	79603	1 Mayo Stand Cover 80 x 145 cm	
<b>89701</b>	79720	1 Absorbent Towel 38 x 56 cm	
-	76394	1 Baby Blanket 80 x 130 cm: <ul style="list-style-type: none"> <li>• Absorbent</li> </ul>	
<b>89529</b>	79529	1 C-Section Fluid Collection Drape 254 x 305 x 183 cm: <ul style="list-style-type: none"> <li>• Full Adhesive Incise Area</li> <li>• Fluid Collection Pouch with Suction Port and Malleable Band</li> <li>• Armboard Covers</li> <li>• Tube Holders</li> </ul>	



All codes in **bold** indicate a sterile product.

## GYNAECOLOGY & OBSTETRICS PACKS



### C-SECTION PACK V

CODE	DESCRIPTION		ITEMS/CASE
<b>77492</b>	C-Section Pack V		8
	STERILE	NON-STERILE	CONTENTS
	-	-	1 Sterilisation Wrap 96 x 96 cm
	<b>42222</b>	42428	1 Back Table Cover, Reinforced 152 x 191 cm
	<b>89603</b>	79603	1 Mayo Stand Cover 80 x 145 cm
	<b>89701</b>	79720	1 Absorbent Towel 38 x 56 cm
	-	76394	1 Baby Blanket 80 x 130 cm: • Absorbent
	<b>89528</b>	79528	1 C-Section Fluid Collection Drape 254 x 305 x 183 cm: • Triangular Fenestrated Adhesive Incise Area • Fluid Collection Pouch with Suction Port and Malleable Band • Armboard Covers • Tube Holders

### GYNAECOLOGY PACK

CODE	DESCRIPTION		ITEMS/CASE
<b>77865</b>	Gynaecology Pack		10
	STERILE	NON-STERILE	CONTENTS
	-	-	1 Sterilisation Wrap 96 x 96 cm
	<b>42345</b>	42365	1 Back Table Cover, Reinforced 140 x 190 cm
	<b>89701</b>	79720	2 Absorbent Towels 38 x 56 cm
	-	79411	1 Under Buttocks Drape, Zone Reinforced, Medium, 97 x 112 cm
	<b>89408</b>	79408	2 Leggings 79 x 122 cm: • With 15 cm Cuff
	-	-	1 Coelioscopy Sheet 193 x 238 cm

All codes in **bold** indicate a sterile product.

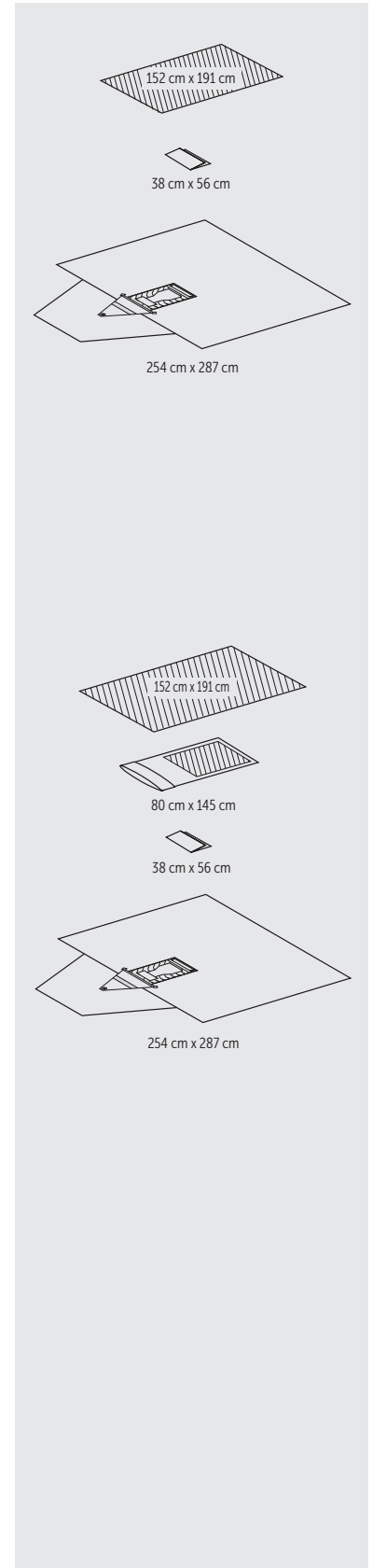
# GYNAECOLOGY & OBSTETRICS PACKS

## GYNAECOLOGY/UROLOGY PACK I

CODE	DESCRIPTION	ITEMS/CASE
<b>77888</b>	Gynaecology/Urology Pack I	12
STERILE	NON-STERILE	CONTENTS
-	-	1 Sterilisation Wrap 96 x 96 cm
<b>42222</b>	42428	1 Back Table Cover, Reinforced 152 x 191 cm
<b>89701</b>	79720	1 Absorbent Towel 38 x 56 cm
-	76888	1 Gynaecology/Urology Drape 254 x 287 cm: <ul style="list-style-type: none"> <li>• Adjustable Fenestration with Flap</li> <li>• Fluid Collection Pouch with Screen and Suction Port</li> <li>• With Attached Leggings</li> <li>• Perineal Incise Film</li> <li>• CONTROL<sup>+</sup> Fabric Reinforcement</li> <li>• Positioning Tape</li> </ul>

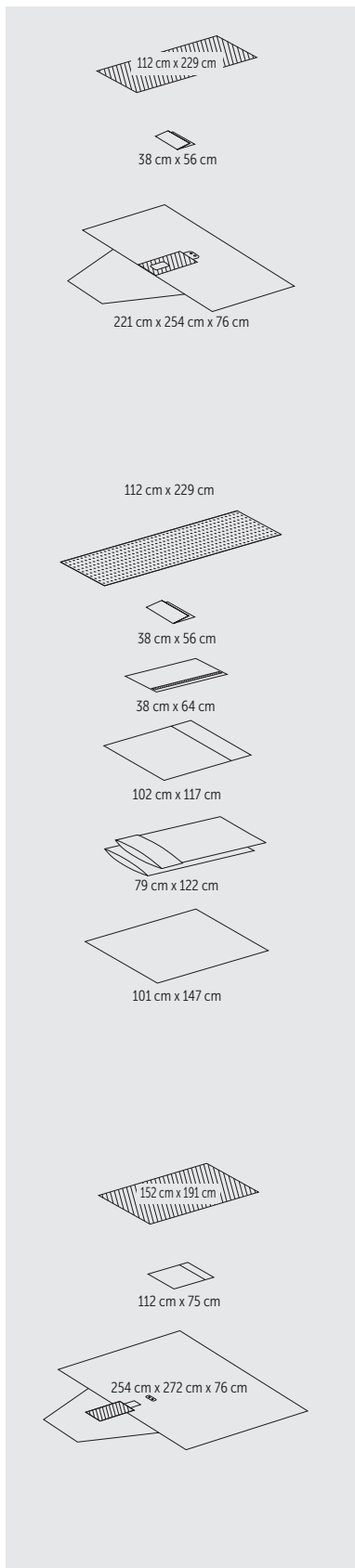
## GYNAECOLOGY/UROLOGY PACK II

CODE	DESCRIPTION	ITEMS/CASE
<b>77890</b>	Gynaecology/Urology Pack II	11
STERILE	NON-STERILE	CONTENTS
-	-	1 Sterilisation Wrap 96 x 96 cm
<b>42222</b>	42428	1 Back Table Cover, Reinforced 152 x 191 cm
<b>89603</b>	79603	1 Mayo Stand Cover 80 x 145 cm
<b>89701</b>	79720	1 Absorbent Towel 38 x 56 cm
-	76888	1 Gynaecology/Urology Drape 254 x 287 cm: <ul style="list-style-type: none"> <li>• Adjustable Fenestration with Flap</li> <li>• Fluid Collection Pouch with Screen and Suction Port</li> <li>• With Attached Leggings</li> <li>• Perineal Incise Film</li> <li>• CONTROL<sup>+</sup> Fabric Reinforcement</li> <li>• Positioning Tape</li> </ul>



All codes in **bold** indicate a sterile product.

# GYNAECOLOGY & OBSTETRICS PACKS



## LITHOTOMY PACK I

CODE	DESCRIPTION	ITEMS/CASE
<b>88511</b>	Lithotomy Pack I	10
STERILE	NON-STERILE	CONTENTS
<b>42217</b>		1 Back Table Cover, Reinforced 112 x 229 cm
<b>89701</b>	79720	1 Absorbent Towel 38 x 56 cm
-	-	1 Lithotomy Drape with Attached Leggings, 221 x 254 x 76 cm: <ul style="list-style-type: none"> <li>• 15 x 7 cm Perineal Fenestration</li> <li>• Positioning Tape</li> <li>• CONTROL<sup>+</sup> Fabric Reinforcement</li> <li>• Tube Holders</li> </ul>

## LITHOTOMY PACK II

CODE	DESCRIPTION	ITEMS/CASE
<b>88521</b>	Lithotomy Pack II	10
STERILE	NON-STERILE	CONTENTS
<b>42217</b>		1 Back Table Cover, Reinforced 112 x 229 cm
<b>89701</b>	79720	1 Absorbent Towel 38 x 56 cm
-	79731	1 Utility Drape with Tape, 38 x 64 cm
-	-	1 Under Buttocks Drape, Zone Reinforced, Medium 102 x 117 cm
<b>89408</b>	79408	2 Leggings 79 x 122 cm: <ul style="list-style-type: none"> <li>• With 15 cm Cuff</li> </ul>
<b>47614</b>	47616	1 Half Drape 101 x 147 cm

## LITHOTOMY PACK IV

CODE	DESCRIPTION	ITEMS/CASE
<b>77779</b>	Lithotomy Pack IV	12
STERILE	NON-STERILE	CONTENTS
-	-	1 Sterilisation Wrap 89 x 89 cm
<b>42222</b>	42428	1 Back Table Cover, Reinforced 152 x 191 cm
<b>89411</b>	-	1 Under Buttocks Drape, Zone Reinforced, Medium 112 x 75 cm
-	76384	1 Lithotomy Drape with Attached Leggings, 254 x 272 x 76 cm: <ul style="list-style-type: none"> <li>• Tape around Fenestration</li> <li>• CONTROL<sup>+</sup> Plus Fabric Reinforcement</li> <li>• Tube Holders</li> </ul>

All codes in **bold** indicate a sterile product.

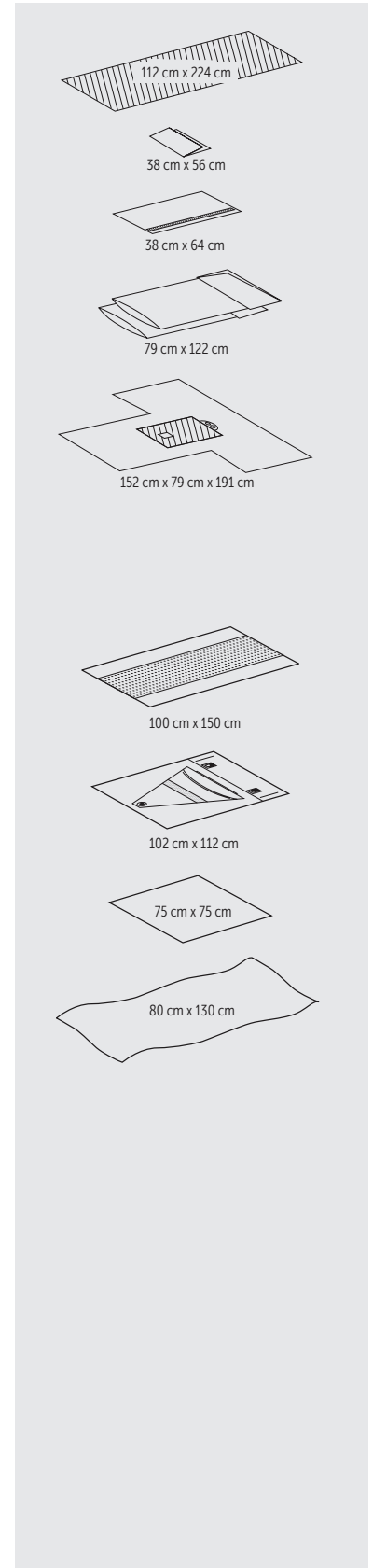
## GYNAECOLOGY & OBSTETRICS PACKS

### LITHOTOMY PACK V

CODE	DESCRIPTION	ITEMS/CASE
<b>88551</b>	Lithotomy Pack V	12
STERILE	NON-STERILE	CONTENTS
-	42302	1 Back Table Cover, Reinforced 112 x 224 cm
<b>89701</b>	79720	1 Absorbent Towel 38 x 56 cm
-	79731	1 Utility Drape with Tape, 38 x 64 cm
<b>89408</b>	79408	2 Leggings 79 x 122 cm: • With 15 cm Cuff
-	79551	1 Lithotomy T-Drape 152 x 79 x 191 cm: • 7 x 15 cm Fenestration • Positioning Tape • CONTROL <sup>+</sup> Fabric Reinforcement • Tube Holders

### HALYARD BASICS\* DELIVERY PACK

CODE	DESCRIPTION	ITEMS/CASE
<b>88911</b>	HALYARD BASICS* Delivery Pack	5
STERILE	NON-STERILE	CONTENTS
<b>89632</b>	79741	1 Back Table Cover, Zone Reinforced 100 x 150 cm
<b>89677</b>	79699	1 Utility Drape 75 x 75 cm
<b>89584</b>	-	1 Under Buttocks Drape 102 x 112 cm: • With Graduated Fluid Collection Pouch • Spunbond
-	-	1 Baby Blanket

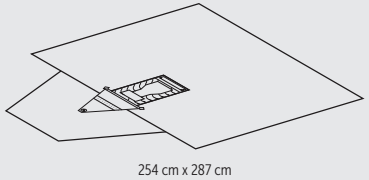


All codes in **bold** indicate a sterile product.

# GYNAECOLOGY & OBSTETRICS DRAPES

## GYNAECOLOGY/UROLOGY DRAPES

### GYNAECOLOGY/UROLOGY DRAPE, 254 X 287 CM

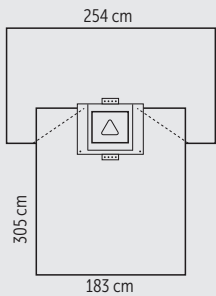


- Perineal Incise Film
- Fluid Collection Pouch with Screen and Suction Port
- CONTROL\* Fabric Reinforcement 39 x 72 cm
- Adjustable Fenestration with Flap
- Attached Leggings
- Positioning Tape

CODE	DESCRIPTION	ITEMS/CASE
76888	Gynaecology/Urology Drape, Non-Sterile	22

## C-SECTION DRAPES

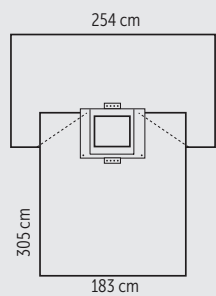
### C-SECTION FLUID COLLECTION DRAPE, 254 X 305 X 183 CM



- Triangular Fenestrated Adhesive Incise Area
- Fluid Collection Pouch with Suction Port and Malleable Band
- Tube Holders
- Armboard Covers

CODE	DESCRIPTION	ITEMS/CASE
<b>89528</b>	C-Section Fluid Collection Drape with Fenestration, Sterile	8
79528	C-Section Fluid Collection Drape with Fenestration, Non-Sterile	150

### C-SECTION FLUID COLLECTION DRAPE, 254 X 305 X 183 CM



- Full Adhesive Incise Area
- Fluid Collection Pouch with Suction Port and Malleable Band
- Tube Holders
- Armboard Covers

CODE	DESCRIPTION	ITEMS/CASE
<b>89529</b>	C-Section Fluid Collection Drape, Sterile	8
79529	C-Section Fluid Collection Drape, Non-Sterile	150

All codes in **bold** indicate a sterile product.

## GYNAECOLOGY & OBSTETRICS DRAPES

### C-SECTION DRAPE WITH ATTACHED LEGGINGS, 295 X 318 X 224 CM

- Armboard Covers
- Attached Leggings 36 x 33 cm
- Adhesive Incise Area with Triangular Fenestration
- Fluid Collection Pouch with Suction Port

CODE	DESCRIPTION	ITEMS/CASE
76353	C-Section Drape with Attached Leggings, Non-Sterile	112

### GENTLE C-SECTION DRAPE WITH FLUID COLLECTION POUCH, 246 X 297 CM

- SMS
- CONTROL\* Fabric Reinforcement 43 x 56 cm
- Fluid Collection Pouch
- Full Incise
- Clear window fenestration 39.4 x 49.5 cm
- Fenestration 43.2 x 38.1 cm
- Two Flaps 76.2 x 63.5 cm
- Tube Holders
- Positioning Tape

CODE	DESCRIPTION	ITEMS/CASE
<b>K897213</b>	Gentle C-Section Drape with Fluid Collection Pouch, Sterile	15
<b>K797213</b>	Gentle C-Section Drape with Fluid Collection Pouch, Sterile	20

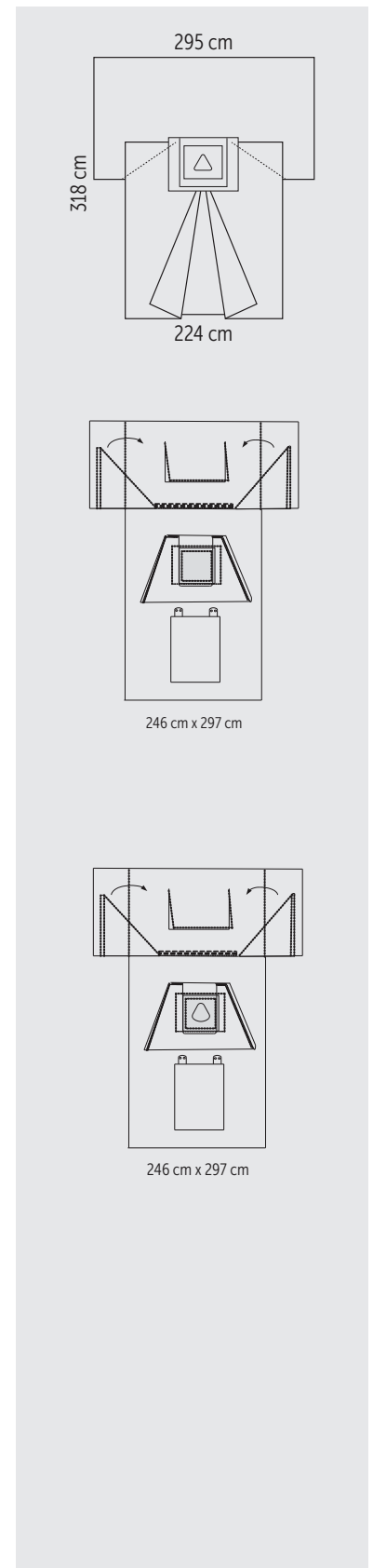
### GENTLE C-SECTION DRAPE WITH FLUID COLLECTION POUCH, 246 X 297 CM

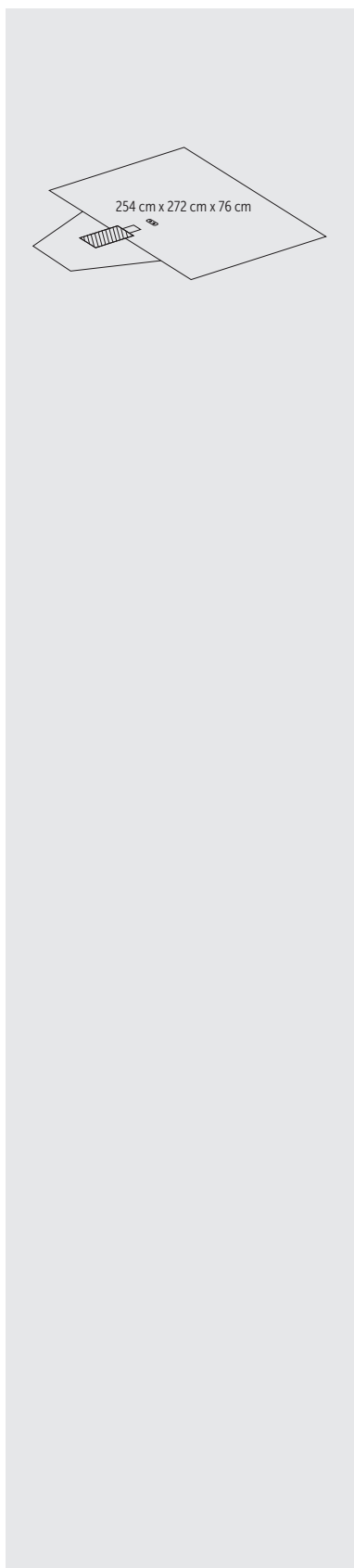
- SMS
- CONTROL\* Fabric Reinforcement 43 x 56 cm
- Fluid Collection Pouch
- 22.9 x 17.8 cm Incise Triangle Fenestration
- Window Fenestration 39.4 x 49.5 cm
- Two Flaps 76.2 x 63.5 cm
- Tube Holders

CODE	DESCRIPTION	ITEMS/CASE
<b>K897215</b>	Gentle C-Section Drape with Fluid Collection Pouch, Sterile	15
K797215	Gentle C-Section Drape with Fluid Collection Pouch, Non-Sterile	18

All codes in **bold** indicate a sterile product.

See Back Cover for Trademark Information





## LITHOTOMY DRAPES

### LITHOTOMY DRAPE WITH ATTACHED LEGGINGS, 254 X 272 X 76 CM

---

- CONTROL\* Plus Fabric Reinforcement 61 x 27 cm
- Tape around Fenestration
- Tube Holders

CODE	DESCRIPTION	ITEMS/CASE
76384	Lithotomy Drape with Attached Leggings, Non-Sterile	11

All codes in **bold** indicate a sterile product.

# UROLOGY

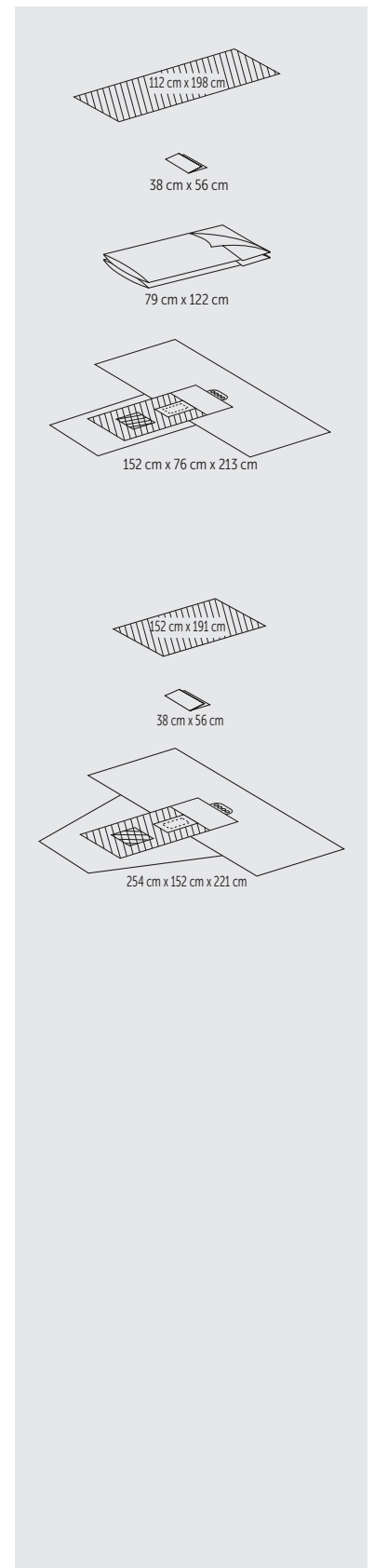
## UROLOGY PACKS

### CYSTOSCOPY PACK I

CODE	DESCRIPTION	ITEMS/CASE
<b>88611</b>	Cystoscopy Pack I	12
STERILE	NON-STERILE	CONTENTS
-	42447	1 Back Table Cover, Reinforced 112 x 198 cm
<b>89701</b>	79720	1 Absorbent Towel 38 x 56 cm
<b>89408</b>	79408	2 Leggings 79 x 122 cm: • With 15 cm Cuff
-	79540	1 Cystoscopy T-Drape 152 x 76 x 213 cm: • Perineal Fenestration 7 x 15 cm • 22 x 22 cm Screen • Positioning Tape • CONTROL <sup>+</sup> Fabric Reinforcement • Tube Holders

### CYSTOSCOPY PACK II

CODE	DESCRIPTION	ITEMS/CASE
<b>88621</b>	Cystoscopy Pack II	12
STERILE	NON-STERILE	CONTENTS
<b>42222</b>	42428	1 Back Table Cover, Reinforced 152 x 191 cm
<b>89701</b>	79720	1 Absorbent Towel 38 x 56 cm
-	79545	1 Cystoscopy Drape 254 x 152 x 221 cm: • With Attached Leggings • Perineal Fenestration 7 x 15 cm • 22 x 22 cm Screen • Positioning Tape • CONTROL <sup>+</sup> Fabric Reinforcement • Tube Holders

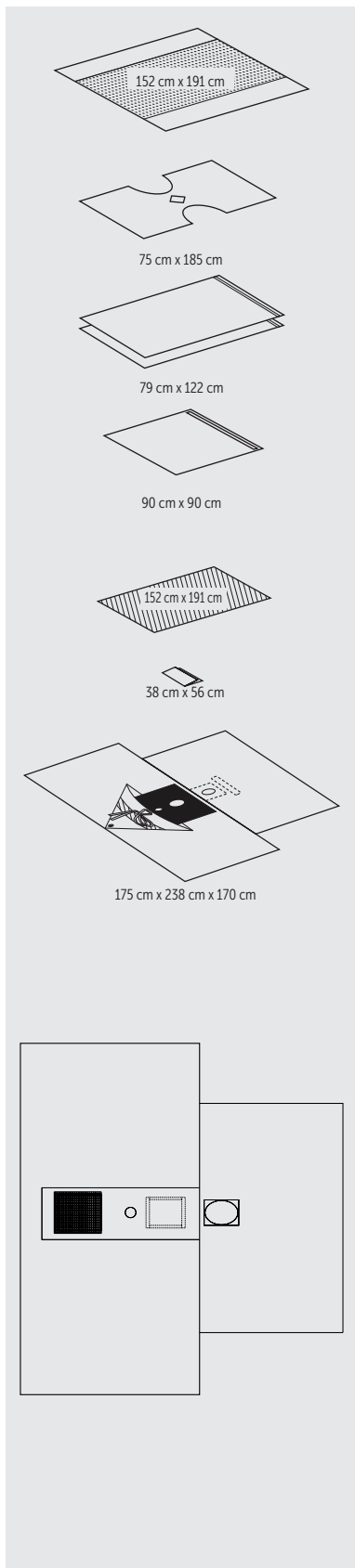


All codes in **bold** indicate a sterile product.

See Back Cover for Trademark Information

Urology Packs

# UROLOGY PACKS & DRAPES



## HALYARD BASICS\* CYSTOSCOPY PACK

CODE	DESCRIPTION	ITEMS/CASE
<b>89681</b>	HALYARD BASICS* Cystoscopy Pack	10
	<b>STERILE</b> <b>NON-STERILE</b> <b>CONTENTS</b>	
<b>88673</b>	78669	1 Back Table Cover, Zone Reinforced 152 x 191 cm
-	-	2 Leggings 79 x 122 cm
<b>89679</b>	79783	1 Utility Drape with Tape 90 x 90 cm: • Spunbond Film
-	79742	1 Cystoscopy Drape, 75 x 185 cm: • Diamond Fenestration 5.5 x 12.5 cm • Spunbond Film

## T.U.R. PACK

CODE	DESCRIPTION	ITEMS/CASE
<b>77885</b>	T.U.R. Pack	12
	<b>STERILE</b> <b>NON-STERILE</b> <b>CONTENTS</b>	
-	-	1 Sterilisation Wrap 96 x 96 cm
<b>42222</b>	42428	1 Back Table Cover, Reinforced 152 x 191 cm
<b>89701</b>	79720	1 Absorbent Towel 38 x 56 cm
-	76885	1 T.U.R. Drape 175 x 238 x 170 cm: • With Attached Leggings • Fluid Collection Pouch with Screen, Suction Port and Tie • With Finger Cot

## T.U.R. DRAPE MESH & LEGGINGS 220 X 255 X 190 CM

- With Attached Leggings
- For Manufacturing/Processing/Repacking
- With Drape, Delnet, Finger Cot, Reinforcement

CODE	DESCRIPTION	ITEMS/CASE
K768550	T.U.R. Drape w/Mesh & Builtin Leggings, Non-Sterile	13

All codes in **bold** indicate a sterile product.

## CYSTOSCOPY DRAPE, 254 X 221 X 152 CM

- CONTROL\* Plus Fabric Reinforcement 40 x 22 cm & Poly Reinforcement 40 x 101 cm
- Attached Leggings
- Fenestration 7 x 15 cm
- Screen 22 x 22 cm

CODE	DESCRIPTION	ITEMS/CASE
79545	Cystoscopy Drape, Non-Sterile	20

## HALYARD BASICS\* CYSTOSCOPY DRAPE, 75 X 185 CM

- Diamond Fenestration 5.5 x 12.5 cm
- Spunbond Film

CODE	DESCRIPTION	ITEMS/CASE
79742	HALYARD BASICS* Cystoscopy Drape, Non-Sterile	120

## T.U.R. DRAPE, 175 X 238 X 170 CM

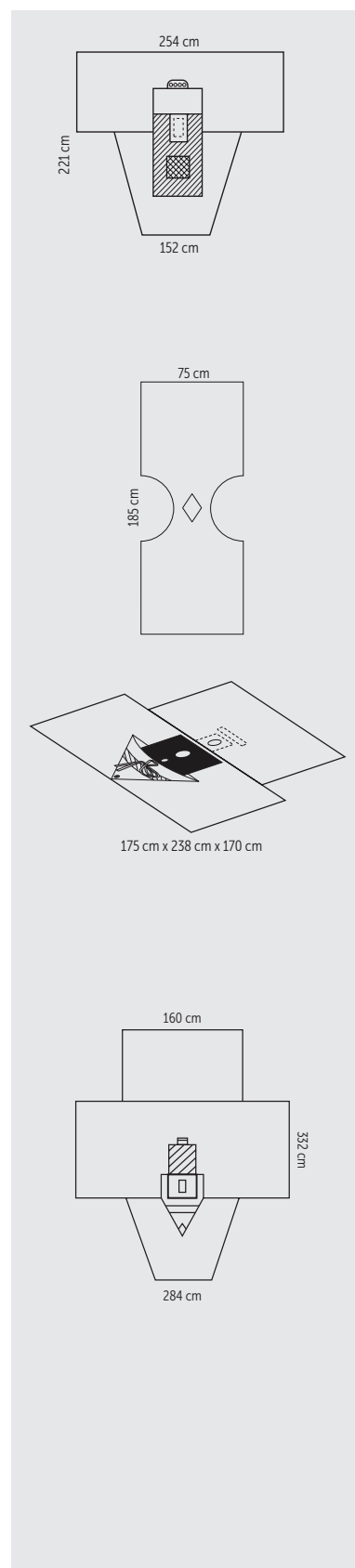
- With Attached Leggings
- Fluid Collection Pouch with Screen, Suction Port and Tie
- With Finger Cot

CODE	DESCRIPTION	ITEMS/CASE
76885	T.U.R. Drape, Non-Sterile	18

## GYN/UROLOGY DRAPE

- Attached Fluid Collection Pouch
- With Suction Port/Screen
- Attached Leggings
- Positioning Tape
- CONTROL\* Plus Fabric Reinforcement 36 x 43 cm
- Fenestration 8 x 15 cm
- Tube Holder/2 holes

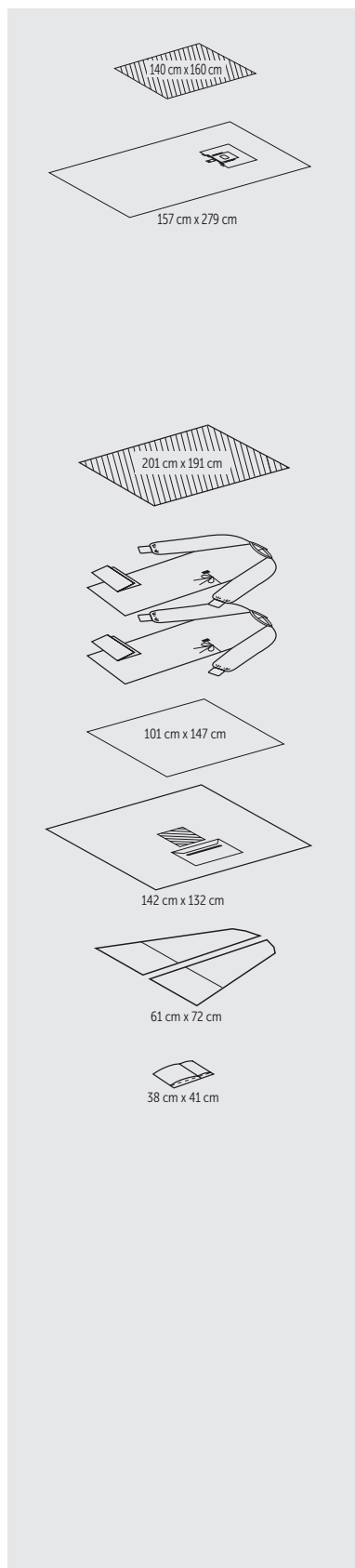
CODE	DESCRIPTION	ITEMS/CASE
<b>89204</b>	Gyn/Urology Drape, Sterile	10



All codes in **bold** indicate a sterile product.

# OPHTHALMOLOGY

## OPHTHALMOLOGY PACKS



### EYE PACK

CODE	DESCRIPTION	ITEMS/CASE
<b>7744</b>	Eye Pack	10
STERILE	NON-STERILE	CONTENTS
-	-	1 Sterilisation Wrap 89 x 89 cm
-	-	1 Back Table Cover, 140 x 160 cm, with Tape
-	-	1 Eye Drape 157 x 279 cm: • With Fluid Collection Pouch

### OPHTHALMIC PACK

CODE	DESCRIPTION	ITEMS/CASE
<b>7760</b>	Ophthalmic Pack	8
STERILE	NON-STERILE	CONTENTS
<b>42312</b>	42313	1 Back Table Cover, Reinforced 191 x 201 cm
<b>47614</b>	47616	1 Half Drape 101 x 147 cm
<b>90013</b>	79973	2 Surgical Gowns Large, X-long
<b>89701</b>	79720	2 Absorbent Towels 38 x 56 cm
<b>89304</b>	79304	1 Ophthalmic Drape 132 x 142 cm • With Fluid Collection Pouch • 13 x 9 cm Rectangular Fenestration, with Incise • Applicable for both Left and Right Eye
<b>76214</b>	76300	2 Armboard Covers 61 x 72 cm
<b>89945</b>	79945	1 Diathermy Pouch 38 x 41 cm

All codes in **bold** indicate a sterile product.

**OPHTHALMIC DRAPE, 132 X 142 CM**

- With One Single Fluid Collection Pouch
- 13 x 9 cm Rectangular Fenestration, with Incise
- Applicable for both Left and Right Eye

CODE	DESCRIPTION	ITEMS/CASE
<b>89304</b>	Ophthalmic Drape, Sterile	40
79304	Ophthalmic Drape, Non-Sterile	100

**OPHTHALMIC DRAPE, 132 X 142 CM**

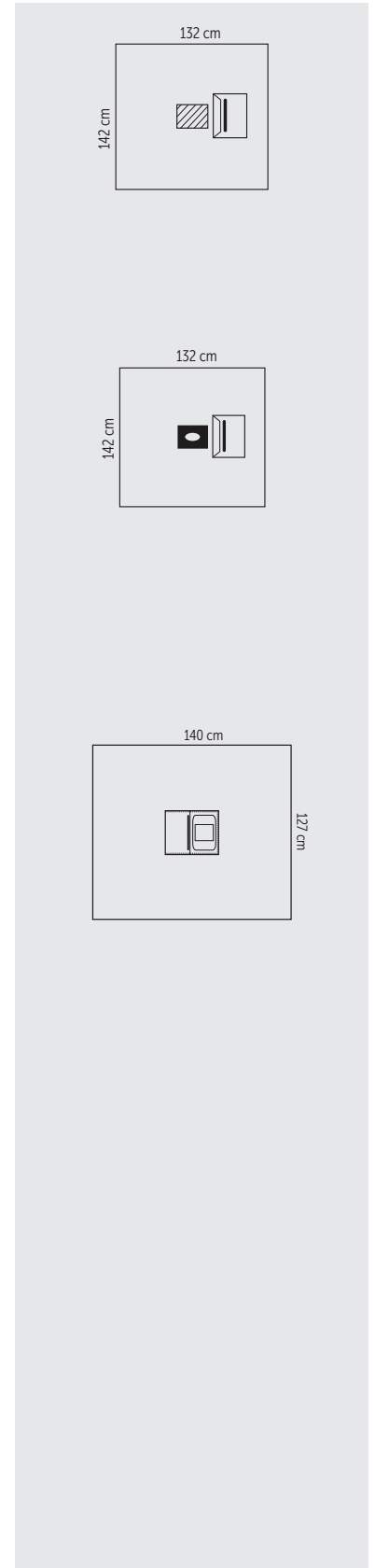
- With One Single Fluid Collection Pouch
- 8 cm Oval Fenestration, with Apertured Incise 9 x 12.7 cm
- Applicable for both Left and Right Eye

CODE	DESCRIPTION	ITEMS/CASE
<b>89305</b>	Ophthalmic Drape, Oval Fenestration, Sterile	40
79305	Ophthalmic Drape, Oval Fenestration, Non-Sterile	100

**OPHTHALMIC DRAPE, 140 X 127 CM**

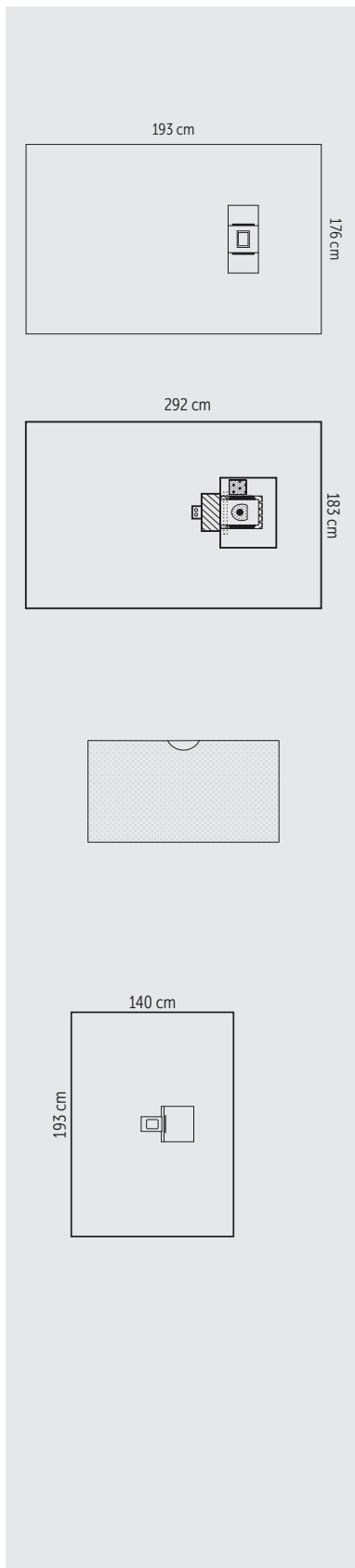
- Supadrape Cellulose based Material with Clear Plastic Reinforcement around Fenestration
- 11.5 x 8.8 cm Rectangular Fenestration, with Incise
- With One Single Fluid Collection Pouch
- Applicable for both Left and Right Eye

CODE	DESCRIPTION	ITEMS/CASE
K793043	Ophthalmic Drape, Non-Sterile	110



All codes in **bold** indicate a sterile product.

# OPHTHALMOLOGY DRAPES



## OPHTHALMIC DRAPE, 176 X 193 CM

- SMS
- With Fluid Collection Pouch
- Fenestration 7 x 17 cm

CODE	DESCRIPTION	ITEMS/CASE
K793050	Ophthalmic Drape, Non-Sterile	120

## OCUARTS\* OPHTHALMIC DRAPE, 183 X 292 CM

- 3 x 5 cm Oval Fenestration
- 15 x 20 cm Incise
- Fluid Collection Pouch around Fenestration, with Foam Band
- Breather Bar
- Tube Holders

CODE	DESCRIPTION	ITEMS/CASE
79356	OCUARTS* Ophthalmic Drape, Non-Sterile	20

## OPHTHALMIC LASIK DRAPE 38 X 20.3CM

- Bi-Laminated Drape Size: 20 x 38 cm
- Fenestration Size with incise: 2 x 6 cm

CODE	DESCRIPTION	ITEMS/CASE
K793053	Ophthalmic Lasik Drape , Non-Sterile	1200

## EYE DRAPE, 140 X 193 CM

- With One Single Fluid Collection Pouch
- 7,6 x 10 cm Rectangular Fenestration, with Incise 18 x 13 cm
- Applicable for both Left and Right Eye

CODE	DESCRIPTION	ITEMS/CASE
<b>77873</b>	Eye Drape, Sterile	25
76321	Eye Drape, Non-Sterile	50

All codes in **bold** indicate a sterile product.

## EYE DRAPE, 140 X 193 CM

- With Double Fluid Collection Pouches
- 4,5 x 7 cm Oval Fenestration, without Incise
- Positioning Tape

CODE	DESCRIPTION	ITEMS/CASE
<b>77707</b>	Eye Drape, Sterile	30
76346	Eye Drape, Non-Sterile	36

## EYE DRAPE, 176 X 193 CM

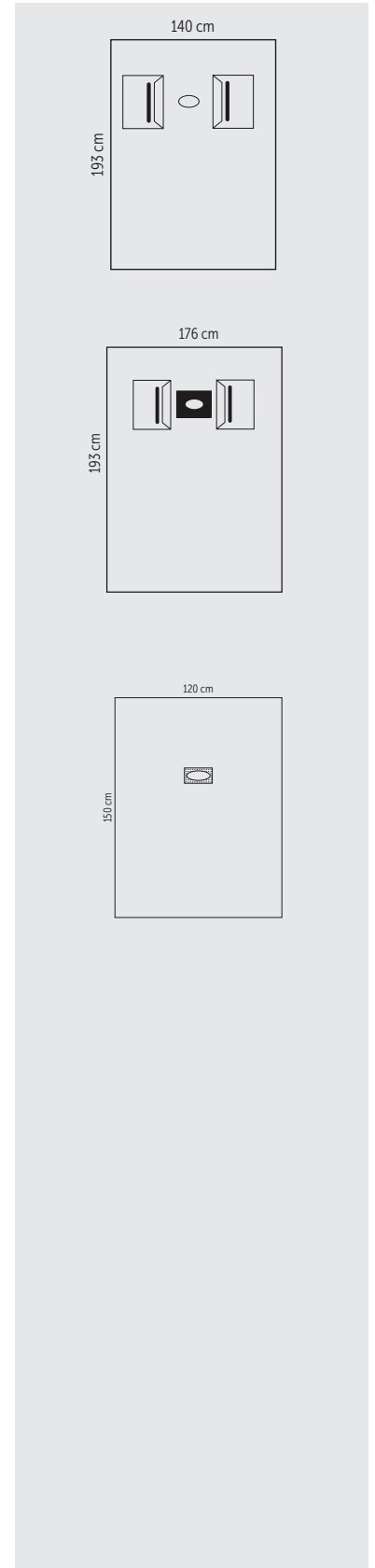
- With Double Fluid Collection Pouches
- 4,5 x 7 cm Oval Fenestration, with Incise 9,5 x 12 cm

CODE	DESCRIPTION	ITEMS/CASE
<b>59710</b>	Eye Drape, Sterile	28
76393	Eye Drape, Non-Sterile	50

## HALYARD BASICS\* BILATERAL EYE FENESTRATED DRAPE WITH TAPE, 120 X 150 CM

- Horizontal Rounded Rectangular Fenestration 7 x 16 cm, centered
- Spunbond Film
- Positioning Tape

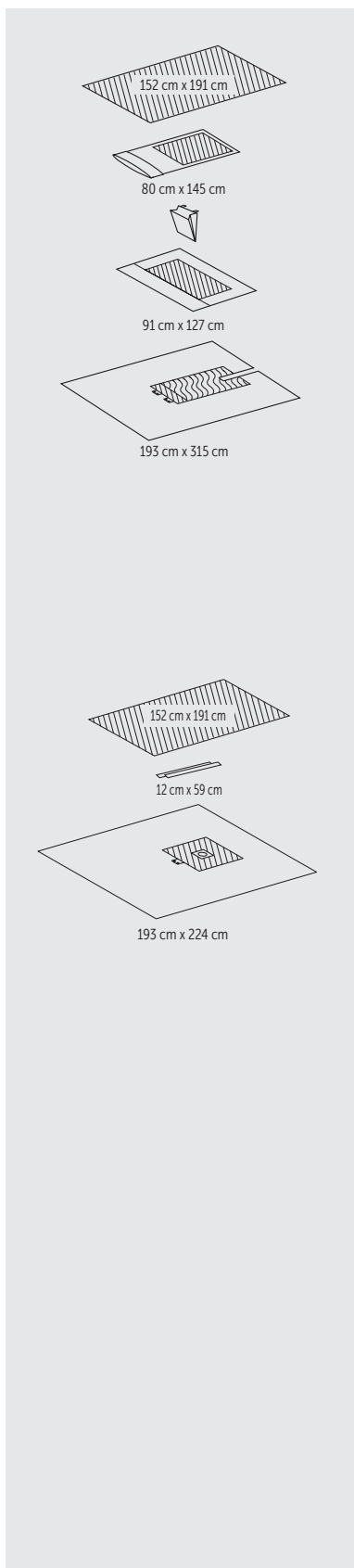
CODE	DESCRIPTION	ITEMS/CASE
79744	HALYARD BASICS* Bilateral Eye Fenestrated Drape with Tape, Non-Sterile	80



All codes in **bold** indicate a sterile product.

# ENT

## ENT PACKS



### ENT PACK III

CODE	DESCRIPTION		ITEMS/CASE
<b>88223</b>	ENT Pack III		6
	STERILE	NON-STERILE	CONTENTS
	<b>42222</b>	42428	1 Back Table Cover, Reinforced, 152 x 191 cm
	<b>89603</b>	79603	1 Mayo Stand Cover 80 x 145 cm
	-	-	1 Suture Bag
	-	79430	1 Head Drape 91 x 127 cm: <ul style="list-style-type: none"> <li>• Turban</li> <li>• Positioning Tape</li> </ul>
	<b>89352</b>	79351	1 ENT Split Drape 193 x 315 cm: <ul style="list-style-type: none"> <li>• With 7 x 71 cm Split</li> <li>• Positioning Tape</li> <li>• CONTROL<sup>®</sup> Fabric Reinforcement</li> <li>• Tube Holders</li> <li>• 2 SMS tube holders</li> </ul>

### ENT PACK IV

CODE	DESCRIPTION		ITEMS/CASE
<b>77823</b>	ENT Pack IV		10
	STERILE	NON-STERILE	CONTENTS
	-	-	1 Sterilisation Wrap 89 x 89 cm
	<b>42222</b>	42428	1 Back Table Cover, Reinforced, 152 x 191 cm
	-	-	2 Iso-Seal Tape Strips 12 x 59 cm
	-	-	1 ENT Drape with Incise, 193 x 224 cm: <ul style="list-style-type: none"> <li>• Incise 15 x 15 cm</li> <li>• With 11 x 11 cm Fenestration</li> <li>• CONTROL<sup>®</sup> Plus Fabric Reinforcement</li> </ul>

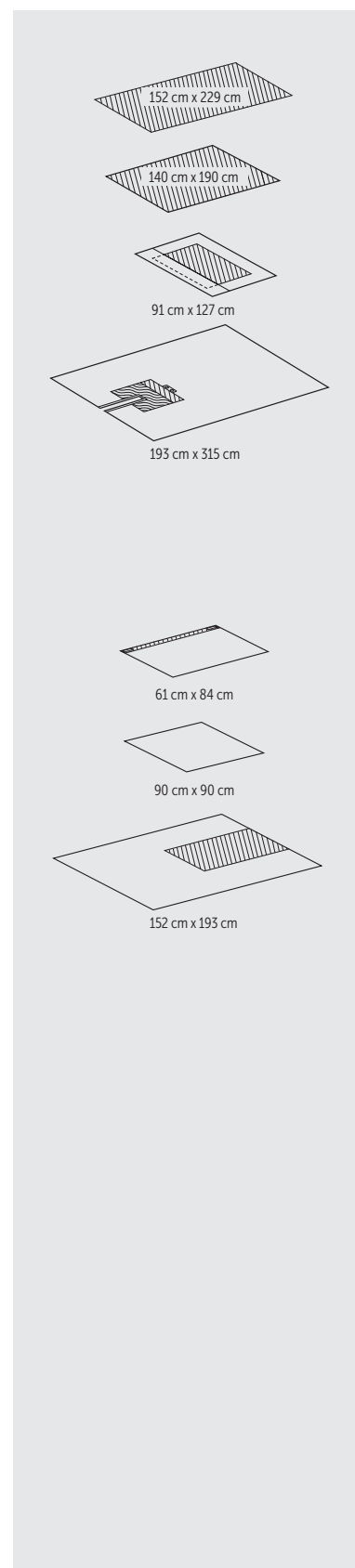
All codes in **bold** indicate a sterile product.

ENT PACK V – HEAD AND NECK

CODE	DESCRIPTION		ITEMS/CASE
<b>76209</b>	ENT Pack V – Head and Neck		7
STERILE	NON-STERILE	CONTENTS	
-	-	1 Sterilisation Wrap 89 x 89 cm	
<b>42224</b>	42451	1 Back Table Cover, Reinforced, 152 x 229 cm	
<b>42345</b>	42365	1 Back Table Cover, Reinforced, 140 x 190 cm	
-	79430	1 Head Drape 91 x 127 cm: <ul style="list-style-type: none"> <li>• Turban</li> <li>• Positioning Tape</li> </ul>	
<b>89352</b>	79351	1 ENT Split Drape 193 x 315 cm: <ul style="list-style-type: none"> <li>• With 7 x 71 cm Split</li> <li>• Positioning Tape</li> <li>• CONTROL<sup>+</sup> Fabric Reinforcement</li> <li>• Tube Holders</li> </ul>	

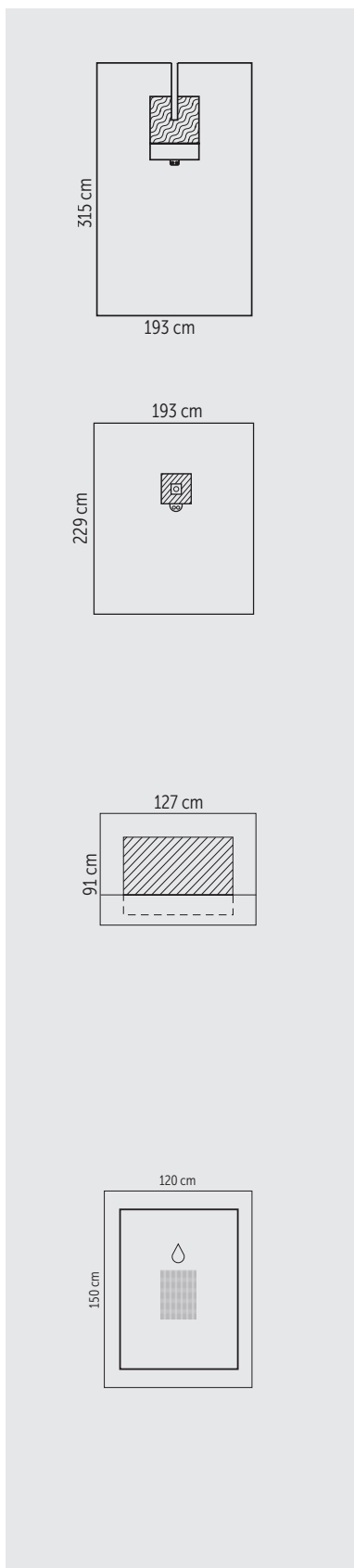
HEAD PACK

CODE	DESCRIPTION		ITEMS/CASE
<b>76234</b>	Head Pack		20
STERILE	NON-STERILE	CONTENTS	
-	-	1 Sterilisation Wrap 89 x 89 cm	
-	-	1 Three-Quarter Drape 152 x 193 cm	
<b>89353</b>	76323	1 Utility Drape 90 x 90 cm	
-	-	1 Head Drape, 61 x 84 cm: <ul style="list-style-type: none"> <li>• 5 cm tape over full length</li> </ul>	



All codes in **bold** indicate a sterile product.

# ENT DRAPES



## ENT DRAPES

### ENT SPLIT DRAPE, 193 X 315 CM

- CONTROL\* Fabric Reinforcement 58 x 61 cm
- 7 x 71 cm Split
- Tube Holders
- Positioning Tape

CODE	DESCRIPTION	ITEMS/CASE
<b>89352</b>	ENT Split Drape, Sterile	18
79351	ENT Split Drape, Non-Sterile	25

### ENT DRAPE, 193 X 229 CM

- With 5 x 6 cm Fenestration
- CONTROL\* Plus Fabric Reinforcement 84 x 81 cm
- Tube Holders
- Positioning Tape

CODE	DESCRIPTION	ITEMS/CASE
<b>89010</b>	ENT Drape, Sterile	18

## HEAD DRAPES

### HEAD DRAPE, 127 X 91 CM

- Turban
- Positioning Tape

CODE	DESCRIPTION	ITEMS/CASE
79430	Head Drape, Non-Sterile	60

## DENTAL DRAPES

### HALYARD BASICS\* DENTAL FENESTRATED DRAPE, 120 X 150 CM

- Tear Drop Fenestration 10 x 15 cm, 40 cm from top
- SMS
- Absorbent Reinforcement

CODE	DESCRIPTION	ITEMS/CASE
<b>89543</b>	HALYARD BASICS* Dental Fenestrated Drape, Sterile	15
79543	HALYARD BASICS* Dental Fenestrated Drape, Non-Sterile	68

All codes in **bold** indicate a sterile product.

# NEUROLOGY

## CRANIOTOMY DRAPES

### CRANIOTOMY DRAPE, 310 X 340 X 188 CM

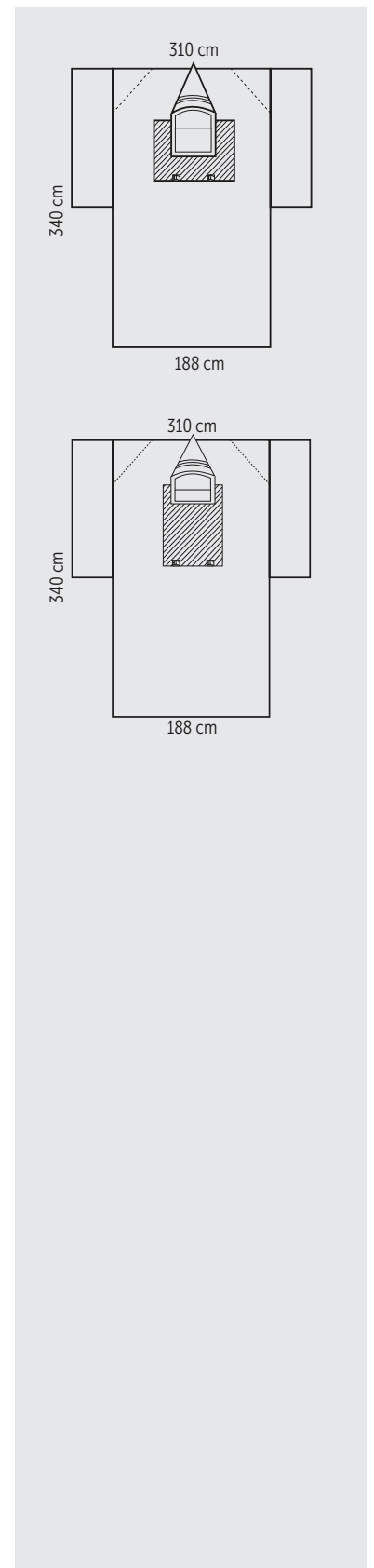
- CONTROL\* Plus Fabric Reinforcement 91 x 61 cm
- 20 x 30 cm Oval Fenestration
- Clear Gusseted Anesthesia Panels
- Screen and Suction Port
- 58 x 114 cm Pouch

CODE	DESCRIPTION	ITEMS/CASE
<b>89062</b>	Craniotomy Drape, Sterile	9
79075	Craniotomy Drape, Non-Sterile	15

### CRANIOTOMY DRAPE, 310 X 340 X 188 CM

- CONTROL\* Plus Fabric Reinforcement 91 x 61 cm
- 15 x 23 cm Oval Fenestration
- 58 x 92 cm Pouch with Screen and Suction Port
- Gusseted Anaesthesia Panels

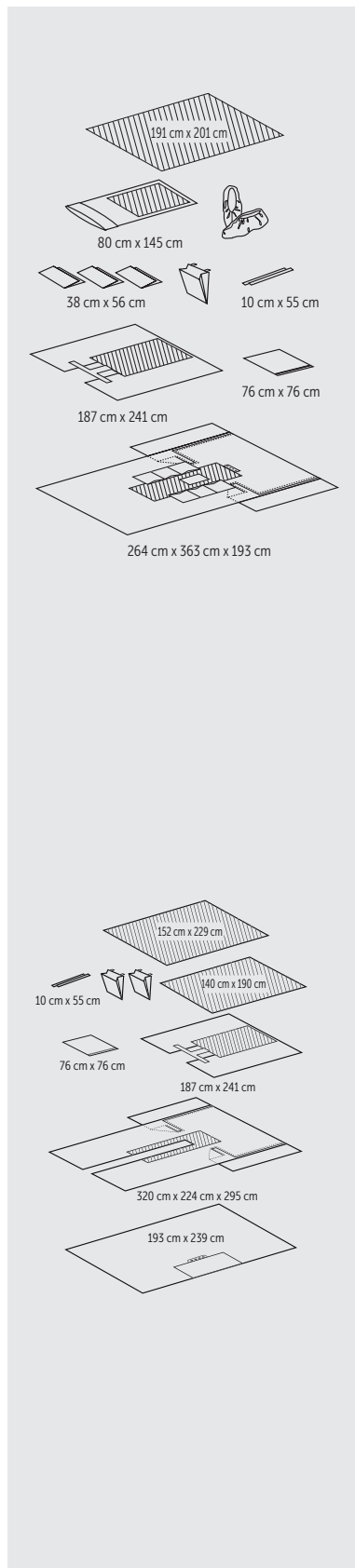
CODE	DESCRIPTION	ITEMS/CASE
<b>77466</b>	Craniotomy Drape, Sterile	12
76396	Craniotomy Drape, Non-Sterile	14



All codes in **bold** indicate a sterile product.

# CARDIOVASCULAR & ANGIOGRAPHY

## CARDIOVASCULAR & ANGIOGRAPHY PACKS



### CARDIO PACK II

CODE	DESCRIPTION	ITEMS/CASE
<b>77748</b>	Cardio Pack II	3
STERILE	NON-STERILE	CONTENTS
-	-	1 Sterilisation Wrap 115 x 115 cm
<b>42312</b>	42313	1 Back Table Cover, Reinforced, 191 x 201 cm
<b>89603</b>	79603	1 Mayo Stand Cover, 80 x 145 cm
-	76340	2 Foot Covers
<b>89701</b>	79720	3 Absorbent Towels 38 x 56 cm
<b>89053</b>	79053	2 Tape Strips 10 x 55 cm
-	-	1 Suture Bag: • Double Tape
<b>89313</b>	79313	1 Utility Drape with Tape, 76 x 76 cm
-	76356	1 Perineal Drape 187 x 241 cm: • Split 44 x 95 cm • Positioning Tape • CONTROL* Plus Fabric Reinforcement
<b>86357</b>	76357	1 CV Incise Sheet 264 x 363 x 193 cm: • With Pouches • CONTROL* Plus Fabric Reinforcement • Tube Holders

### CARDIO SPLIT PACK

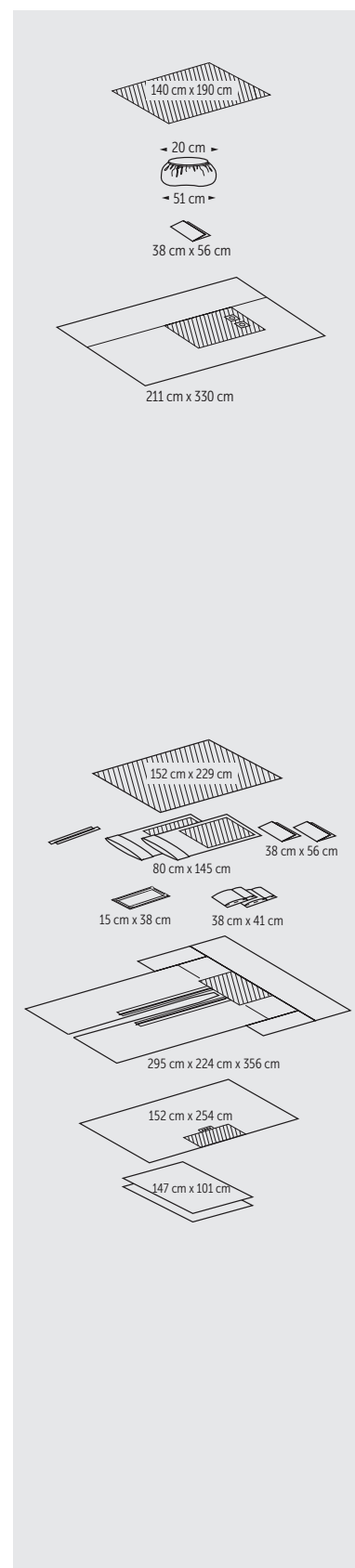
CODE	DESCRIPTION	ITEMS/CASE
<b>77749</b>	Cardio Split Pack	3
STERILE	NON-STERILE	CONTENTS
-	-	1 Sterilisation Wrap 115 x 115 cm
<b>42224</b>	42451	1 Back Table Cover, Reinforced, 152 x 229 cm
<b>89053</b>	79053	2 Tape Strips 10 x 55 cm
-	-	2 Suture Bags: • Double Tape
<b>42345</b>	-	1 Back Table Cover, Reinforced 140 x 190 cm
<b>89313</b>	79313	1 Utility Drape with Tape, 76 x 76 cm
-	76356	1 Perineal Drape 187 x 241 cm: • Split 44 x 95 cm • Positioning Tape • CONTROL* Plus Fabric Reinforcement
-	76378	1 CV Split Drape 320 x 224 x 295 cm: • Positioning Tape • CONTROL* Plus Fabric Reinforcement
-	78961	1 Bottom Drape 193 x 239 cm: • Positioning Tape • CONTROL* Plus Fabric Reinforcement • Tube Holders

All codes in **bold** indicate a sterile product.

## CARDIOVASCULAR & ANGIOGRAPHY PACKS

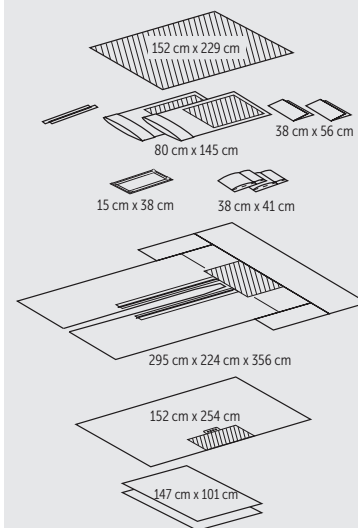
### DILATATION PACK

CODE	DESCRIPTION		ITEMS/CASE
<b>76248</b>	Dilatation Pack		8
STERILE	NON-STERILE	CONTENTS	
-	-	1 Sterilisation Wrap 89 x 89 cm	
<b>42345</b>	-	1 Back Table Cover, Reinforced, 140 x 190 cm	
-	-	1 X-Ray Protection Cover	
<b>89701</b>	79720	1 Absorbent Towel 38 x 56 cm	
<b>89048</b>	79109	1 Femoral Angiography Drape 211 x 330 cm: <ul style="list-style-type: none"> <li>• 68 x 330 cm Window</li> <li>• Two 12 cm Diameter Fenestrations</li> <li>• CONTROL<sup>+</sup> Plus Fabric Reinforcement 81 x 122 cm</li> <li>• Positioning Tape</li> </ul>	



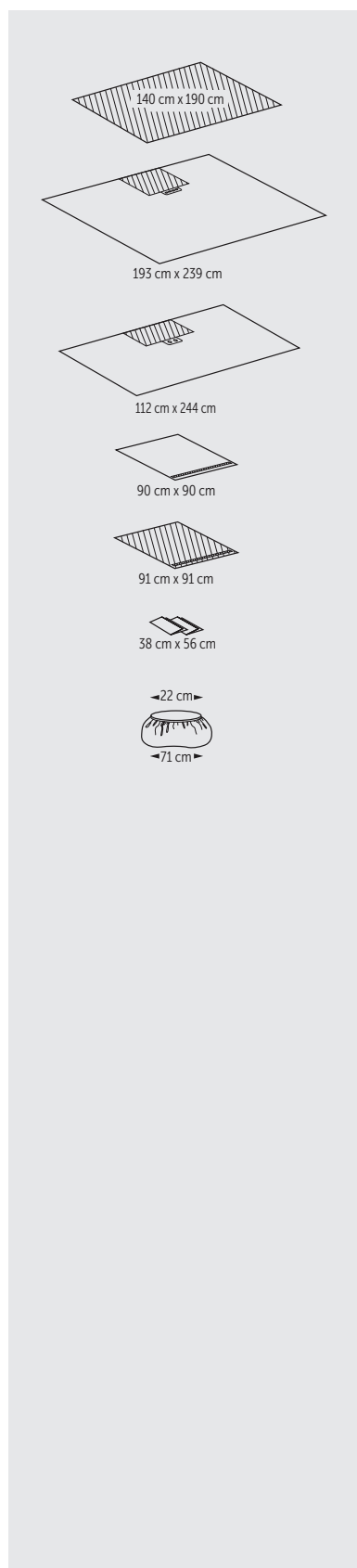
### CARDIOVASCULAR PACK III

CODE	DESCRIPTION		ITEMS/CASE
<b>77892</b>	Cardiovascular Pack III		3
STERILE	NON-STERILE	CONTENTS	
-	-	1 Sterilisation Wrap 115 x 115 cm	
<b>42224</b>	42451	1 Back Table Cover, Reinforced, 152 x 229 cm	
<b>89053</b>	79053	2 Tape Strips 10 x 55 cm	
<b>89701</b>	79720	2 Absorbent Towels 38 x 56 cm	
<b>89603</b>	79603	2 Mayo Stand Covers 80 x 145 cm	
-	-	1 Perineal Cover 15 x 38 cm	
<b>89945</b>	79945	2 Diathermy Pouches 38 x 41 cm	
-	-	1 CV Split Drape 295 x 224 x 356 cm <ul style="list-style-type: none"> <li>• 17 x 233 cm Split</li> <li>• CONTROL<sup>+</sup> Plus Fabric Reinforcement</li> <li>• Armboard Covers</li> </ul>	
<b>89381</b>	79360	1 Ortho Bar Drape 152 x 254 cm	
<b>47614</b>	47616	2 Half Drapes 147 x 101 cm	



All codes in **bold** indicate a sterile product.

# CARDIOVASCULAR & ANGIOGRAPHY PACKS



## PACEMAKER PACK

CODE	DESCRIPTION		ITEMS/CASE
<b>77870</b>	Pacemaker Pack		8
	STERILE	NON-STERILE	CONTENTS
	-	-	1 Sterilisation Wrap 89 x 89 cm
	-	-	1 Back Table Cover, Reinforced 140 x 190 cm
	-	-	1 Bottom Drape 193 x 239 cm <ul style="list-style-type: none"> <li>• CONTROL* Plus Fabric Reinforcement</li> <li>• Positioning Tape</li> </ul>
	-	-	1 Bar Drape 112 x 244 cm <ul style="list-style-type: none"> <li>• CONTROL* Plus Fabric Reinforcement</li> <li>• Positioning Tape</li> </ul>
	-	-	1 Utility Drape with Tape 90 x 90 cm
	-	-	1 Standard Absorbent Drape 91 x 91 cm
	-	-	2 Absorbent Towels 38 x 56 cm
	-	-	1 X-Ray Cover 71 cm

All codes in **bold** indicate a sterile product.

**CARDIOVASCULAR DRAPES**

**CVARTS\* HEAVY-DUTY SPLIT DRAPE, 274 X 315 X 203 CM**

- Armboard Covers
- Split 15 x 213 cm
- Longitudinal Line-Control Flaps
- Heavy-Duty Fabric
- CONTROL\* Plus Fabric Reinforcement 58 x 203 cm around Split
- Positioning Tape

CODE	DESCRIPTION	ITEMS/CASE
<b>89452</b>	CVARTS* Heavy-Duty Split Drape, Sterile	6

**CVARTS\* BILATERAL UNDERLEG PERINEAL DRAPE, 213 X 203 CM**

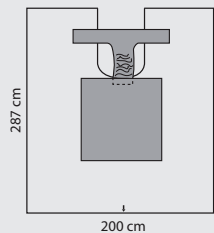
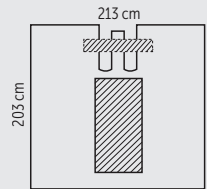
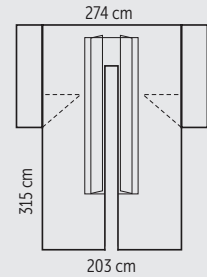
- Impervious Plastic
- Impervious Perineal Cover
- Umbilicus Cover
- CONTROL\* Plus Fabric Reinforcement 122 x 76 cm
- Positioning Tape

CODE	DESCRIPTION	ITEMS/CASE
79453	CVARTS* Bilateral Underleg Perineal Drape, Non-Sterile	18

**CVARTS\* BILATERAL UNDERLEG PERINEAL DRAPE, 200 X 277 CM**

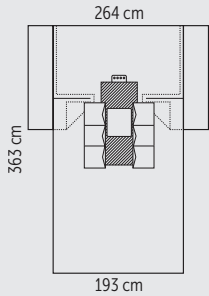
- CONTROL\* Fabric Reinforcement 127 x 76 cm
- Positioning Tape

CODE	DESCRIPTION	ITEMS/CASE
<b>K894530</b>	CVARTS* Bilateral Underleg Perineal Drape, Sterile	18
K794530	CVARTS* Bilateral Underleg Perineal Drape, Non-Sterile	18



All codes in **bold** indicate a sterile product.

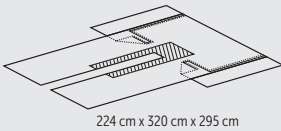
# CARDIOVASCULAR & ANGIOGRAPHY DRAPES



## CV INCISE DRAPE, 264 X 363 X 193 CM

- With Pouches
- CONTROL\* Plus Fabric Reinforcement 122 x 53 cm
- Tube Holders

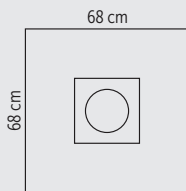
CODE	DESCRIPTION	ITEMS/CASE
<b>86357</b>	CV Incise Drape, Sterile	12
76357	CV Incise Drape, Non-Sterile	11
K763570	CV Incise Drape, Non-Sterile	12



## CV SPLIT DRAPE, 224 X 320 X 295 CM

- Armboard Covers
- CONTROL\* Plus Fabric Reinforcement 107 x 216 cm
- Positioning Tape

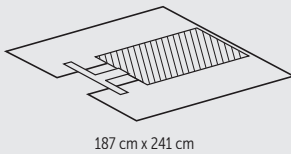
CODE	DESCRIPTION	ITEMS/CASE
76378	CV Split Drape, Non-Sterile	9



## FENESTRATED DRAPE, 68 X 68 CM

- SMS
- Circular Fenestration 18 cm, centered
- CONTROL\* Fabric Reinforcement 30 x 30 cm

CODE	DESCRIPTION	ITEMS/CASE
K792015	Fenestrated Drape, Non-Sterile	180



## PERINEAL DRAPE, 187 X 241 CM

- SMS
- CONTROL\* Plus Fabric Reinforcement 99 x 141 cm
- Positioning Tape

CODE	DESCRIPTION	ITEMS/CASE
76356	Perineal Drape, Non-Sterile	17

All codes in **bold** indicate a sterile product.

## CARDIOVASCULAR & ANGIOGRAPHY DRAPES

### DEFIBRILLATOR DRAPE I, 264 X 193 X 345 CM

- Armboard Covers
- Heavy-Duty fabric
- 30 x 51 cm Fenestration with Incise Film
- Two Side Pouches 30 x 66 cm
- One Pocket 38 x 38 cm
- Two Pockets 12 x 17 cm
- Tube Holders

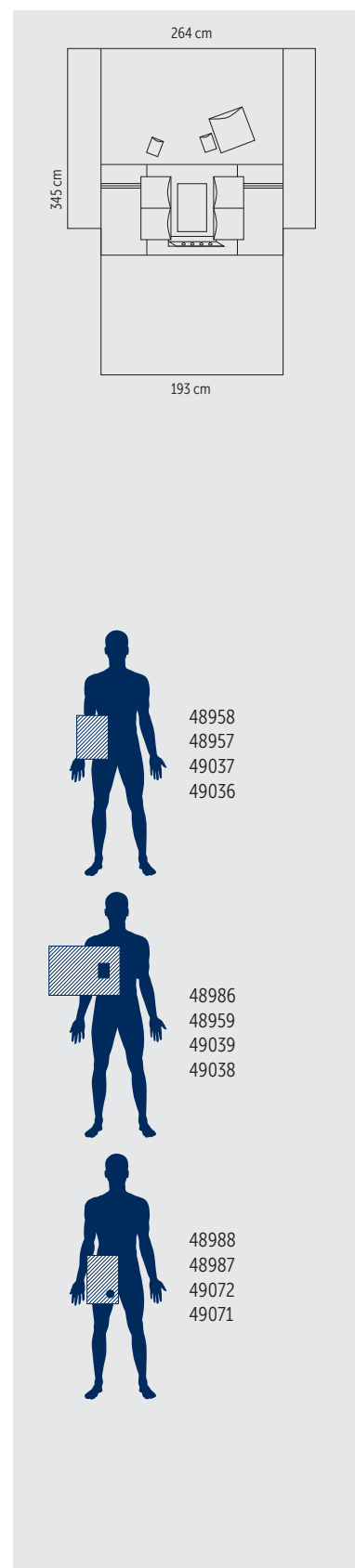
CODE	DESCRIPTION	ITEMS/CASE
76354	Defibrillator Drape I, Non-Sterile	5

### SCATTER RADIATION DRAPES

2 Levels of Protection:

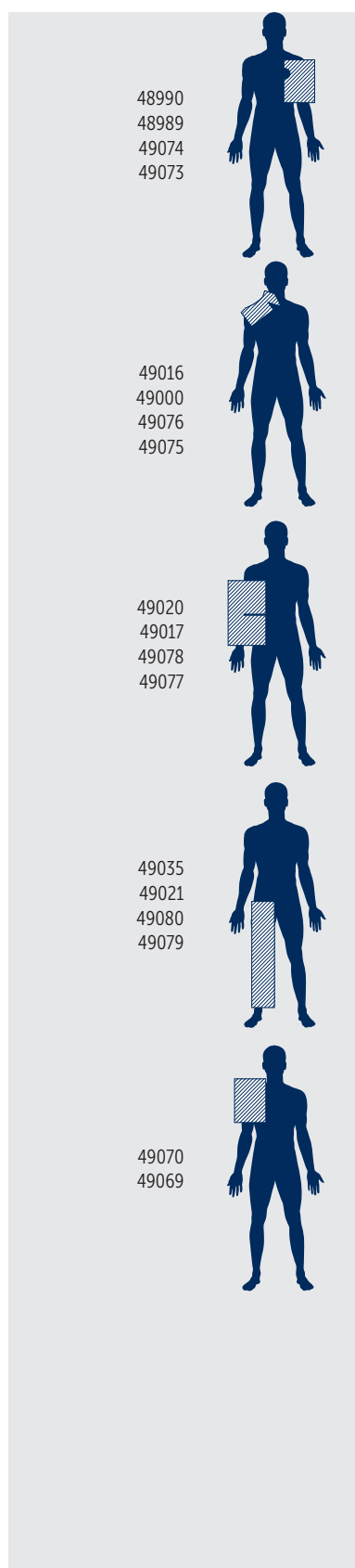
- Level 1 - Attenuation: Greater than 75% at 90kVp and Lead Equivalency: Greater than 0.125mm (Lead Free)
- Level 2 - Attenuation: Greater than 90% at 90kVp and Lead Equivalency: Greater than 0.25mm (Lead Free)

CODE	DESCRIPTION	ITEMS/CASE
<b>48958</b>	HALYARD <sup>®</sup> Multi-Purpose Shield Drape, 30.4 cm x 41.9 cm (Attenuation Level: 1), Sterile	45
48957	HALYARD <sup>®</sup> Multi-Purpose Shield Drape, 30.4 cm x 41.9 cm (Attenuation Level: 1), Non-Sterile	50
<b>49037</b>	HALYARD <sup>®</sup> Multi-Purpose Shield Drape, 30.4 cm x 41.9 cm (Attenuation Level: 2), Sterile	45
49036	HALYARD <sup>®</sup> Multi-Purpose Shield Drape, 30.4 cm x 41.9 cm (Attenuation Level: 2), Non-Sterile	50
<b>48986</b>	HALYARD <sup>®</sup> Multi-Purpose Shield Drape W Fenestration, 30.4 cm x 41.9 cm (Attenuation Level: 1), Sterile	45
48959	HALYARD <sup>®</sup> Multi-Purpose Shield Drape W Fenestration, 30.4 cm x 41.9 cm (Attenuation Level: 1), Non-Sterile	50
<b>49039</b>	HALYARD <sup>®</sup> Multi-Purpose Shield Drape W Fenestration, 30.4 cm x 41.9 cm (Attenuation Level: 2), Sterile	45
49038	HALYARD <sup>®</sup> Multi-Purpose Shield Drape W Fenestration, 30.4 cm x 41.9 cm (Attenuation Level: 2), Non-Sterile	50
<b>48988</b>	HALYARD <sup>®</sup> Angiography Shield Drape, 33 cm x 40.6 cm (Attenuation Level: 1), Sterile	45
48987	HALYARD <sup>®</sup> Angiography Shield Drape, 33 cm x 40.6 cm (Attenuation Level: 1), Non-Sterile	50
<b>49072</b>	HALYARD <sup>®</sup> Angiography Shield Drape, 33 cm x 40.6 cm (Attenuation Level: 2), Sterile	45
49071	HALYARD <sup>®</sup> Angiography Shield Drape, 33 cm x 40.6 cm (Attenuation Level: 2), Non-Sterile	50



All codes in **bold** indicate a sterile product.

## CARDIOVASCULAR & ANGIOGRAPHY DRAPES



48990  
48989  
49074  
49073

49016  
49000  
49076  
49075

49020  
49017  
49078  
49077

49035  
49021  
49080  
49079

49070  
49069

<b>48990</b>	HALYARD* Subclavian Shield Drape, 30.4 cm x 41.9 cm (Attenuation Level: 1), Sterile	45
48989	HALYARD* Subclavian Shield Drape, 30.4 cm x 41.9 cm (Attenuation Level: 1), Non-Sterile	50
<b>49074</b>	HALYARD* Subclavian Shield Drape, 30.4 cm x 41.9 cm (Attenuation Level: 2), Sterile	45
49073	HALYARD* Subclavian Shield Drape, 30.4 cm x 41.9 cm (Attenuation Level: 2), Non-Sterile	50
<b>49016</b>	HALYARD* Jugular Shield Drape, 30.4 cm x 41.9 cm (Attenuation Level: 1), Sterile	45
49000	HALYARD* Jugular Shield Drape, 30.4 cm x 41.9 cm (Attenuation Level: 1), Non-Sterile	50
<b>49076</b>	HALYARD* Jugular Shield Drape, 30.4 cm x 41.9 cm (Attenuation Level: 2), Sterile	45
49075	HALYARD* Jugular Shield Drape, 30.4 cm x 41.9 cm (Attenuation Level: 2), Non-Sterile	50
<b>49020</b>	HALYARD* Biliary Shield Drape, 30.4 cm x 41.9 cm (Attenuation Level: 1), Sterile	45
49017	HALYARD* Biliary Shield Drape, 30.4 cm x 41.9 cm (Attenuation Level: 1), Non-Sterile	50
<b>49078</b>	HALYARD* Biliary Shield Drape, 30.4 cm x 41.9 cm (Attenuation Level: 2), Sterile	45
49077	HALYARD* Biliary Shield Drape, 30.4 cm x 41.9 cm (Attenuation Level: 2), Non-Sterile	50
<b>49035</b>	HALYARD* Peripheral Shield Drape, 30.4 cm x 86.3 cm (Attenuation Level: 1), Sterile	45
49021	HALYARD* Peripheral Shield Drape, 30.4 cm x 86.3 cm (Attenuation Level: 1), Non-Sterile	50
<b>49080</b>	HALYARD* Peripheral Shield Drape, 30.4 cm x 86.3 cm (Attenuation Level: 2), Sterile	45
49079	HALYARD* Peripheral Shield Drape, 30.4 cm x 86.3 cm (Attenuation Level: 2), Non-Sterile	45
<b>49070</b>	HALYARD* Biopsy Shield Drape, 30.4 cm x 41.9 cm (Attenuation Level: 2), Sterile	45
49069	HALYARD* Biopsy Shield Drape, 30.4 cm x 41.9 cm (Attenuation Level: 2), Non-Sterile	50

All codes in **bold** indicate a sterile product.

**ANGIOGRAPHY DRAPES**

**FEMORAL ANGIOGRAPHY DRAPE, 193 X 279 CM**

- SMS
- Two 12 cm Diameter Fenestrations
- CONTROL\* Plus Fabric Reinforcement 81 x 122 cm
- Positioning Tape

CODE	DESCRIPTION	ITEMS/CASE
<b>89714</b>	Femoral Angiography Drape, Sterile	14
79714	Femoral Angiography Drape, Non-Sterile	160

**HALYARD BASICS\* FEMORAL ANGIOGRAPHY DRAPE, 239 X 350 CM, WITH SINGLE WINDOW**

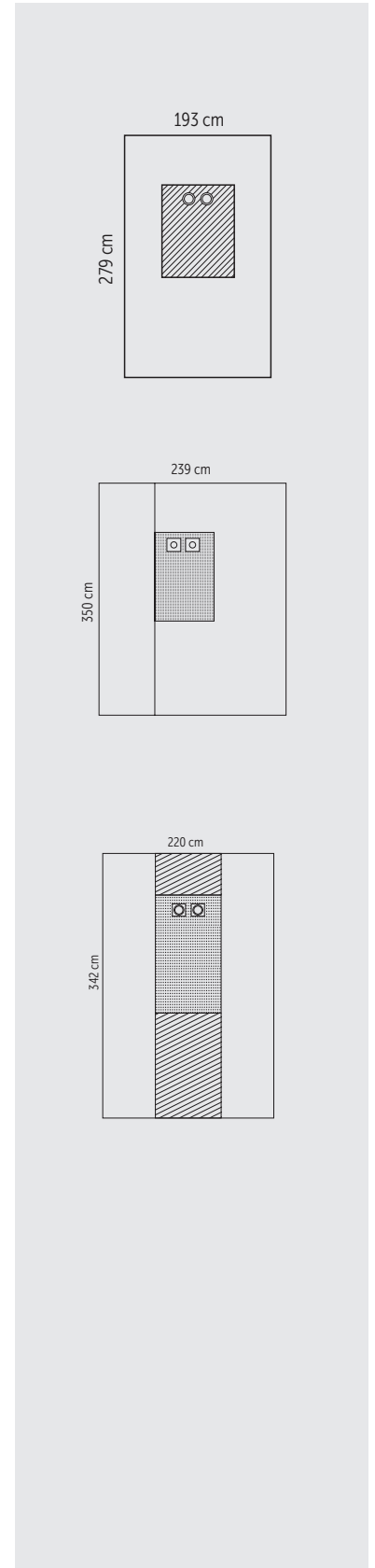
- SMS
- Two 12 cm Diameter Fenestrations
- 68 x 315 cm Window

CODE	DESCRIPTION	ITEMS/CASE
79582	HALYARD BASICS* Femoral Angiography Drape with Single Window, Non-Sterile	24

**EXTRA-LONG FEMORAL ANGIOGRAPHY DRAPE, 220 X 342 CM, WITH DUAL WINDOWS**

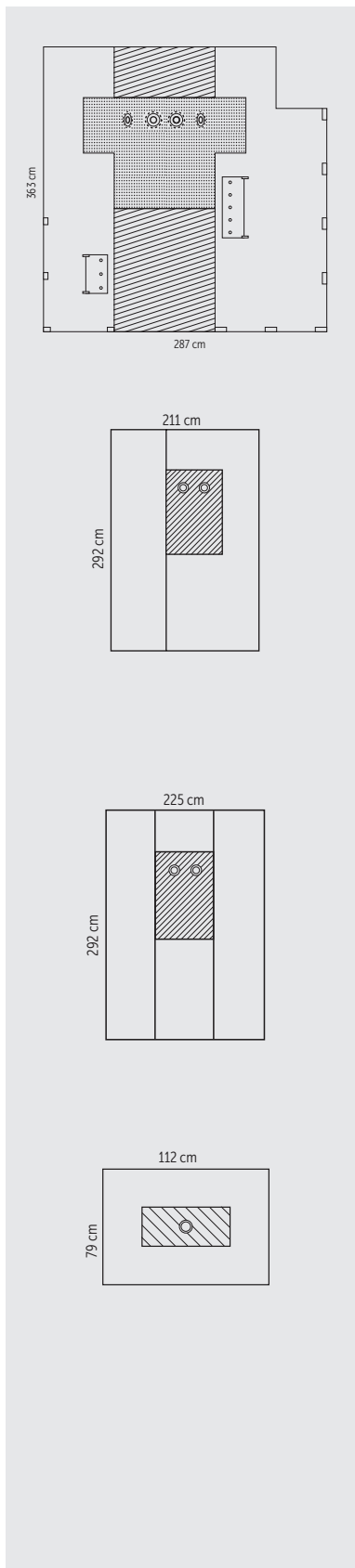
- SMS
- Two 12.7 cm Diameter Fenestrations (8.8 cm Diameter Incise)
- Two 69 x 342 cm Windows
- CONTROL\* Plus Fabric Reinforcement 81 x 152 cm

CODE	DESCRIPTION	ITEMS/CASE
13296	Extra-Long Femoral Angiography Drape, Non-Sterile	180



All codes in **bold** indicate a sterile product.

# CARDIOVASCULAR & ANGIOGRAPHY DRAPES



## ACIST CVI® DRAPE, 287 X 363 CM

- SMS
- Enlarged Windows fit to cover the ACIST® Equipment
- Special Opening for passing ACIST® Manifold
- Two Femoral Fenestrations
- Two Radial Fenestrations
- CONTROL\* Fabric Reinforcement
- Positioning Tabs on the Windows

CODE	DESCRIPTION	ITEMS/CASE
K797065	ACIST CVi® Drape, Non-Sterile	22

## FEMORAL ANGIOGRAPHY DRAPE, 211 X 292 CM, WITH SINGLE WINDOW

- SMS
- Two 12 cm Diameter Fenestrations
- 68 x 292 cm Window
- CONTROL\* Plus Fabric Reinforcement 81 x 122 cm
- Positioning Tape

CODE	DESCRIPTION	ITEMS/CASE
<b>89715</b>	Femoral Angiography Drape with Single Window, Sterile	16
79715	Femoral Angiography Drape with Single Window, Non-Sterile	200

## FEMORAL ANGIOGRAPHY DRAPE, 225 X 292 CM, WITH DUAL WINDOWS

- SMS
- Two 12 cm Diameter Fenestrations
- Dual 68 x 292 cm Windows
- CONTROL\* Plus Fabric Reinforcement 81 x 122 cm
- Positioning Tape

CODE	DESCRIPTION	ITEMS/CASE
<b>89716</b>	Femoral Angiography Drape with Dual Windows, Sterile	18
79716	Femoral Angiography Drape with Dual Windows, Non-Sterile	200

## BRACHIAL ANGIOGRAPHY DRAPE, 112 X 79 CM

- SMS
- 8 cm Circular Fenestration
- CONTROL\* Plus Fabric Reinforcement, 27 x 61 cm
- Positioning Tape

CODE	DESCRIPTION	ITEMS/CASE
<b>89471</b>	Brachial Angiography Drape, Sterile	50

All codes in **bold** indicate a sterile product.

# CARDIOVASCULAR & ANGIOGRAPHY DRAPES

## IMPERVIOUS EXTRA-LONG FEMORAL ANGIOGRAPHY DRAPE, 221 X 343 CM, WITH DUAL WINDOWS

- SMS
- Two 12 cm Diameter Fenestrations
- Fabric Reinforcement 343 x 81 cm
- Two Dual Plastic Windows (343 x 70 cm)
- Extra Long Film Based Drape
- Incise with Release Liner

CODE	DESCRIPTION	ITEMS/CASE
79749	Impervious Extra-Long Femoral Angiography Drape, Non-Sterile	144

## FEMORAL ANGIOGRAPHY DRAPE, 193 X 330 CM

- SMS
- Two 12 cm Diameter Fenestrations
- CONTROL\* Plus Fabric Reinforcement 81 x 122 cm
- Positioning Tape

CODE	DESCRIPTION	ITEMS/CASE
79063	Femoral Angiography Drape, Non-Sterile	160

## FEMORAL ANGIOGRAPHY DRAPE, 211 X 330 CM, WITH SINGLE WINDOW

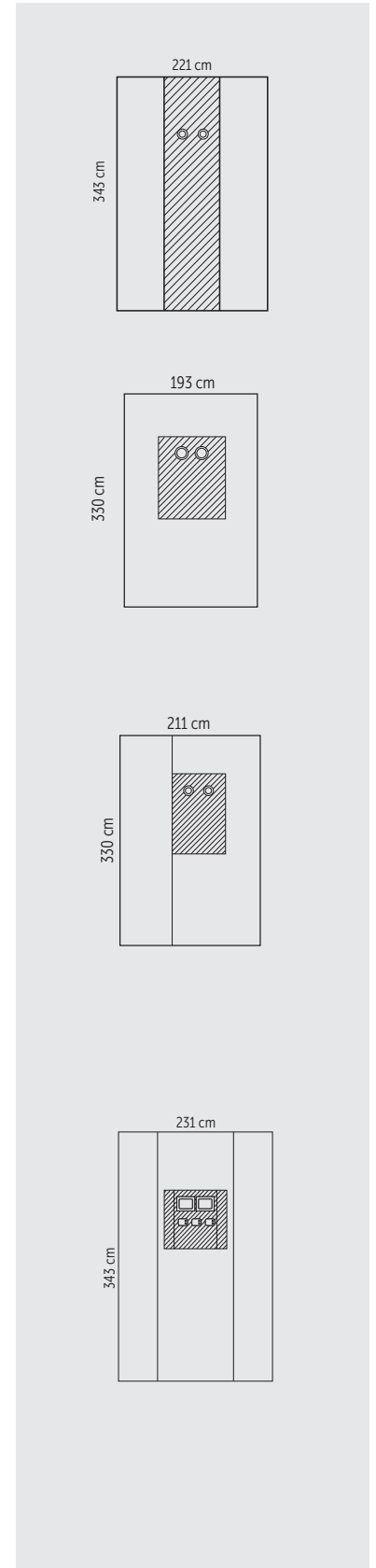
- SMS
- 68 x 330 cm Window
- Two 12 cm Diameter Fenestrations
- CONTROL\* Plus Fabric Reinforcement 81 x 122 cm
- Positioning Tape

CODE	DESCRIPTION	ITEMS/CASE
<b>89048</b>	Femoral Angiography Drape with Single Window, Sterile	16
79109	Femoral Angiography Drape with Single Window, Non-Sterile	200

## PACEMAKER DRAPE WITH FENESTRATED INCISE, 231 X 343 CM

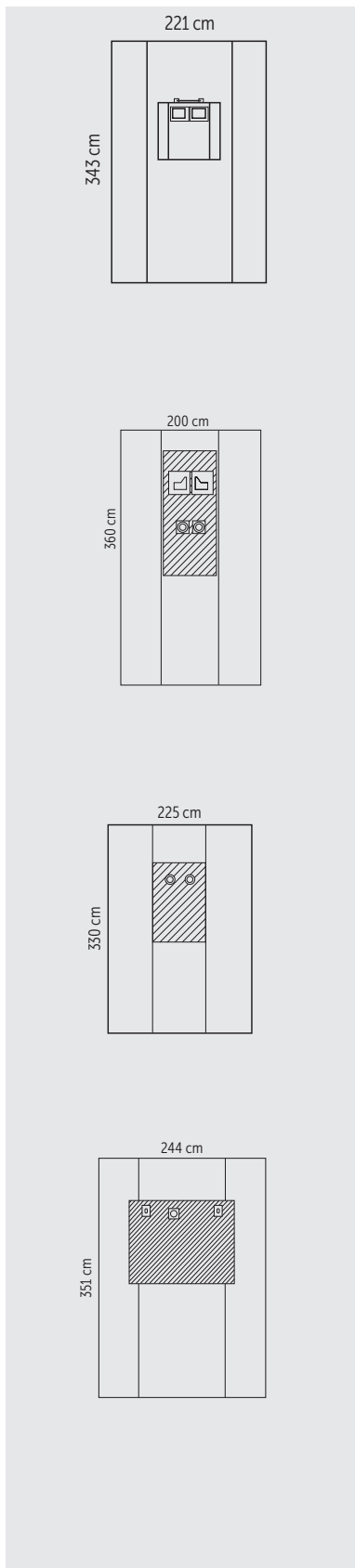
- SMS
- Absorbent CONTROL\* Plus fabric reinforcement with pockets 25 cm deep
- Two 7 x 12 cm fenestrations
- Tube Holders
- Dual Clear Film Poly Windows

CODE	DESCRIPTION	ITEMS/CASE
<b>29229</b>	Pacemaker Drape with Fenestrated Incise, Sterile	12
29231	Pacemaker Drape with Fenestrated Incise, Non-Sterile	12



All codes in **bold** indicate a sterile product.

# CARDIOVASCULAR & ANGIOGRAPHY DRAPES



## PACEMAKER DRAPE, 221 X 343 CM

- SMS
- CONTROL\* Plus Fabric Reinforcement 81 x 89 cm
- Two 20 x 15 cm Fenestrations with Incise 25 x 20 cm
- Dual Clear Film Poly Windows 56 x 343 cm

CODE	DESCRIPTION	ITEMS/CASE
<b>89368</b>	Pacemaker Drape, Sterile	11
79368	Pacemaker Drape, Non-Sterile	12

## FEMORAL ANGIOGRAPHY/IJ ACCESS COMBINATION DRAPE, 200 X 360 CM

- SMS
- Absorbent CONTROL\* Plus fabric reinforcement
- Two 9 cm adhesive circular fenestrations
- Two 18 x 18 cm trapezoidal fenestrations
- Clear Side Poly Windows

CODE	DESCRIPTION	ITEMS/CASE
<b>29225</b>	Femoral Angiography/IJ Access Combination Drape, Sterile	15
29226	Femoral Angiography/IJ Access Combination Drape, Non-Sterile	15

## FEMORAL ANGIOGRAPHY DRAPE, 225 X 330 CM, WITH DUAL WINDOWS

- SMS
- Dual 68 x 330 cm Windows
- Two 12 cm Diameter Fenestrations
- CONTROL\* Plus Fabric Reinforcement 81 x 122 cm
- Positioning Tape

CODE	DESCRIPTION	ITEMS/CASE
<b>7776</b>	Femoral Angiography Drape with Dual Windows, Sterile	14
76386	Femoral Angiography Drape with Dual Windows, Non-Sterile	200

## RADIAL FEMORAL ANGIOGRAPHY DRAPE, 244 X 351 CM

- SMS
- Dual Windows 63 x 350 cm
- CONTROL\* Plus Fabric Reinforcement 122 x 154 cm
- Two Oval Radial Fenestrations 12 x 7.6 cm
- One Round Femoral Fenestration, Diameter 12.7 cm

CODE	DESCRIPTION	ITEMS/CASE
76681	Radial Femoral Angiography Drape, Non-Sterile	150

All codes in **bold** indicate a sterile product.

## CARDIOVASCULAR & ANGIOGRAPHY DRAPES

### PAEDIATRIC FEMORAL ANGIOGRAPHY DRAPE, 193 X 310 CM, WITH SINGLE WINDOW

- SMS
- 64 x 215 cm Window
- Two 7.6 cm Diameter Fenestrations
- CONTROL\* Plus Fabric Reinforcement 122 x 61 cm
- Positioning Tape

CODE	DESCRIPTION	ITEMS/CASE
<b>77382</b>	Paediatric Femoral Angiography Drape with Single Window, Sterile	25
76382	Paediatric Femoral Angiography Drape with Single Window, Non-Sterile	14

### HALYARD BASICS\* RADIAL FEMORAL ANGIOGRAPHY DRAPE, 240 X 380 CM, WITH DUAL WINDOWS

- SMS
- Dual Windows 63 x 380 cm
- Two Oval Radial Fenestrations 12 x 7.6 cm
- Two Round Femoral Fenestrations, Diameter 12.7 cm

CODE	DESCRIPTION	ITEMS/CASE
<b>89583</b>	HALYARD BASICS* Radial Femoral Angiography Drape with Dual Windows, Sterile	12
79583	HALYARD BASICS* Radial Femoral Angiography Drape with Dual Windows, Non-Sterile	14

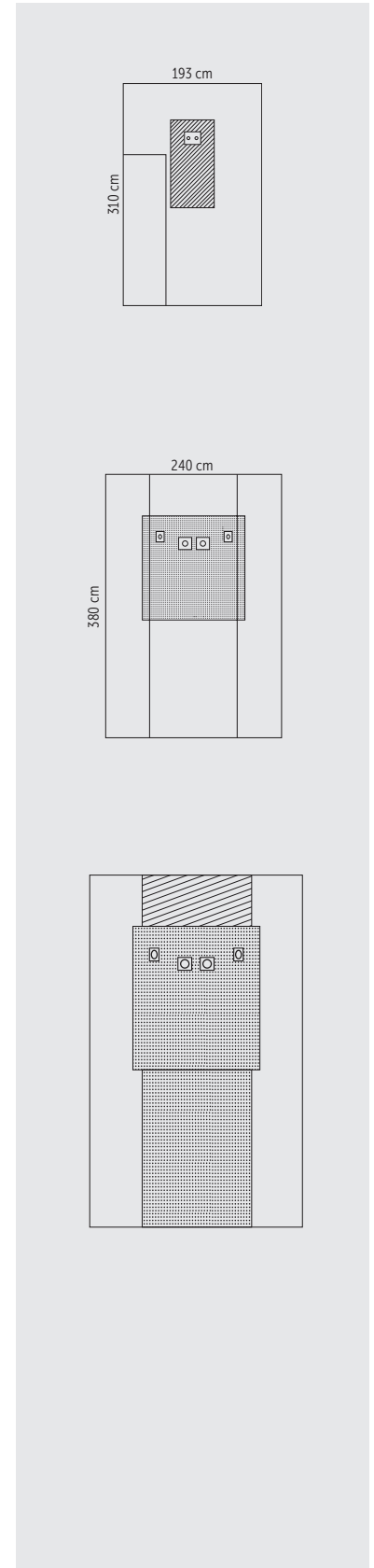
### IMPERVIOUS RADIAL FEMORAL ANGIOGRAPHY DRAPE, WITH DUAL WINDOWS

- SMS
- Dual Windows 72 x 381 cm
- Two Round Fenestrations, Diameter 13.3 cm
- Two Oval Fenestrations 7.6 x 12.7 cm
- CONTROL\* Fabric Reinforcement
- Extra CONTROL\* Fabric Reinforcement at the Bottom
- Non-Sterile

CODE	SIZE	REINFORCEMENT	ITEMS/CASE	
K797067	264 x 381 cm	137 x 180 cm	Extra 120 x 161 cm	20
K797160	234 x 381 cm	157 x 122 cm	Extra 91 x 220 cm	16

All codes in **bold** indicate a sterile product.

See Back Cover for Trademark Information



Cardiovascular & Angiography Drapes

# CARDIOVASCULAR & ANGIOGRAPHY DRAPES

## FEMORAL ANGIOGRAPHY DRAPE 230 CM X 360 CM

CODE	DESCRIPTION	ITEMS/CASE
K797166	Femoral Angiography Drape, Non-Sterile	12

## RADIAL FEMORAL ANGIOGRAPHY DRAPE 264X381 CM

CODE	DESCRIPTION	ITEMS/CASE
K797169	Radial Femoral Angiography Drape, Non-Sterile	20

## IMPERVIOUS RADIAL FEMORAL ANGIOGRAPHY DRAPE 292 CM X 368 CM

CODE	DESCRIPTION	ITEMS/CASE
K797165	Impervious Radial Femoral Angiography Drape, Non-Sterile	16

## IMPERVIOUS RADIAL FEMORAL ANGIOGRAPHY DRAPE, 269 X 370 CM, WITH DUAL WINDOWS

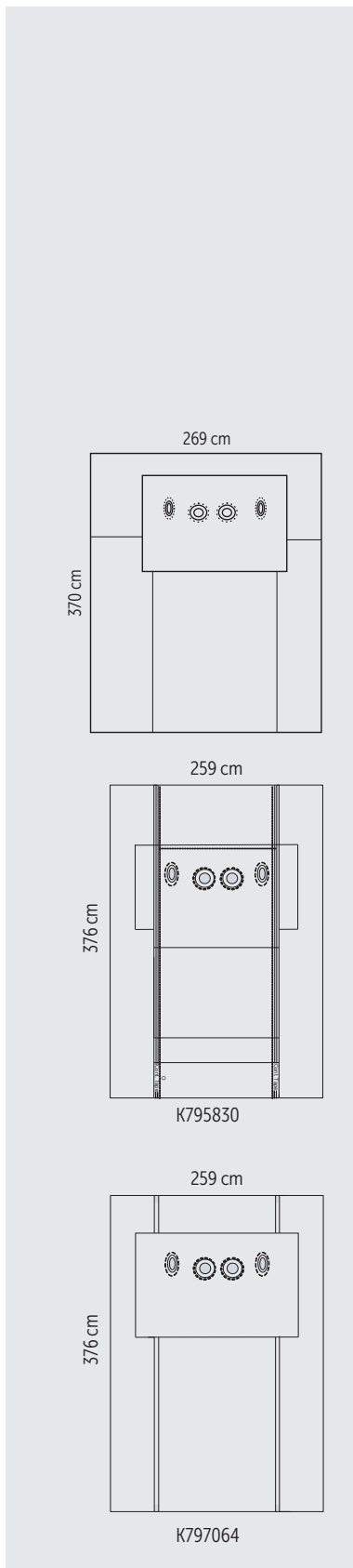
- SMS/Film Laminate
- Two Plastic Dual Windows 73.7 x 274 cm & 127 x 274 cm
- Reinforcement with Fenestrations size 121.9 x 157.5 cm
- Two Oval Fenestrations 11.7 x 8.9 cm
- Two Round Fenestrations, Diameter 12.7 cm

CODE	DESCRIPTION	ITEMS/CASE
K797162	Impervious Radial Femoral Angiography Drape with Dual Windows, Non-Sterile	20

## RADIAL FEMORAL ANGIOGRAPHY DRAPE, 259 X 376 CM, WITH DUAL WINDOWS

- SMS
- CONTROL\* Plus Fabric Reinforcement 165 x 122 cm & 128 x 122 cm & 30.5 x 122 cm
- Two Oval Radial Fenestrations 8.9 x 12.1 cm
- Two Round Femoral Fenestrations, Diameter 12.7 cm
- Dual Clear Film Poly Windows
- Positioning Tape

CODE	DESCRIPTION	ITEMS/CASE
K797064	Radial Femoral Angiography Drape with Dual Windows, Non-Sterile	20
K795830	Radial Femoral Angiography Drape, 4 holes	14



All codes in **bold** indicate a sterile product.

# CATHETER PLACEMENT

## CATHETER PLACEMENT DRAPES

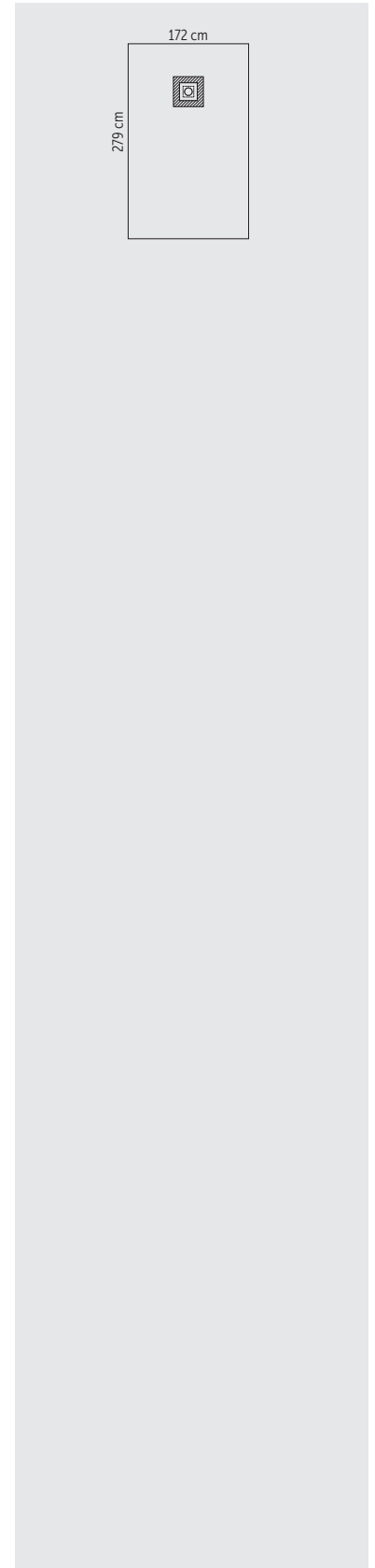
### CVC DRAPE, SINGLE FENESTRATION, 172 X 279 CM

- SMS
- Absorbent CONTROL<sup>+</sup> Plus Fabric Reinforcement
- 10 cm Fenestration
- Incise Window

CODE	DESCRIPTION	ITEMS/CASE
<b>29149</b>	CVC Drape, Single Fenestration, Sterile	20
29148	CVC Drape, Single Fenestration, Non-Sterile	27

### DRAINAGE/CVC DRAPE 230X290 CM

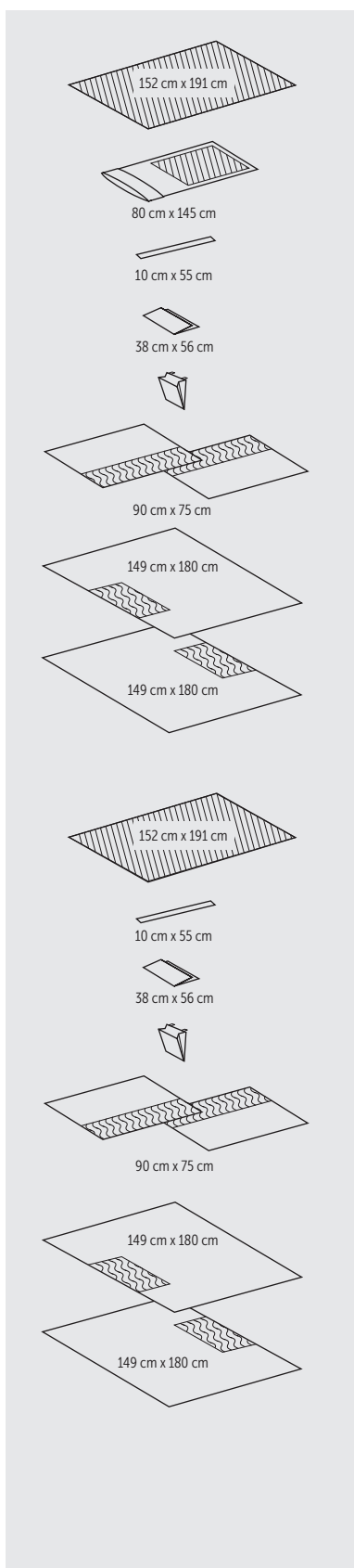
CODE	DESCRIPTION	ITEMS/CASE
<b>K797167</b>	Drainage/CVC Drape, Sterile	22



All codes in **bold** indicate a sterile product.

# PAEDIATRICS

## PAEDIATRICS PACKS



### UNIVERSAL PACK, SMALL

CODE	DESCRIPTION		ITEMS/CASE
<b>88762</b>	Universal Pack, Small, incl. Mayo Stand Cover		11
	STERILE	NON-STERILE	CONTENTS
	-	-	1 Sterilisation Wrap 96 x 96 cm
	<b>89603</b>	79603	1 Mayo Stand Cover 80 x 145 cm
	<b>42222</b>	42428	1 Back Table Cover, Reinforced 152 x 191 cm
	<b>89053</b>	79053	1 Tape Strip 10 x 55 cm
	<b>89701</b>	79720	1 Absorbent Towel 38 x 56 cm
	-	-	1 Suture Bag
	-	-	2 Side Drapes 90 x 75 cm: <ul style="list-style-type: none"> <li>• Positioning Tape, 2.5 cm width</li> <li>• CONTROL* Fabric Reinforcement</li> </ul>
	-	79214	1 Bottom Drape 149 x 180 cm: <ul style="list-style-type: none"> <li>• Positioning Tape, 2.5 cm width</li> <li>• CONTROL* Fabric Reinforcement</li> </ul>
	-	79215	1 Top Drape 149 x 180 cm: <ul style="list-style-type: none"> <li>• Positioning Tape, 2.5 cm width</li> <li>• CONTROL* Fabric Reinforcement</li> </ul>

### UNIVERSAL PACK, SMALL

CODE	DESCRIPTION		ITEMS/CASE
<b>88763</b>	Universal Pack, Small, excl. Mayo Stand Cover		11
	STERILE	NON-STERILE	CONTENTS
	-	-	1 Sterilisation Wrap 96 x 96 cm
	<b>42222</b>	42428	1 Back Table Cover, Reinforced 152 x 191 cm
	<b>89053</b>	79053	1 Tape Strip 10 x 55 cm
	<b>89701</b>	79720	1 Absorbent Towel 38 x 56 cm
	-	-	2 Side Drapes 90 x 75 cm: <ul style="list-style-type: none"> <li>• Positioning Tape, 2.5 cm width</li> <li>• CONTROL* Fabric Reinforcement</li> </ul>
	-	79214	1 Bottom Drape 149 x 180 cm: <ul style="list-style-type: none"> <li>• Positioning Tape, 2.5 cm width</li> <li>• CONTROL* Fabric Reinforcement</li> </ul>
	-	79215	1 Top Drape 149 x 180 cm: <ul style="list-style-type: none"> <li>• Positioning Tape, 2.5 cm width</li> <li>• CONTROL* Fabric Reinforcement</li> </ul>

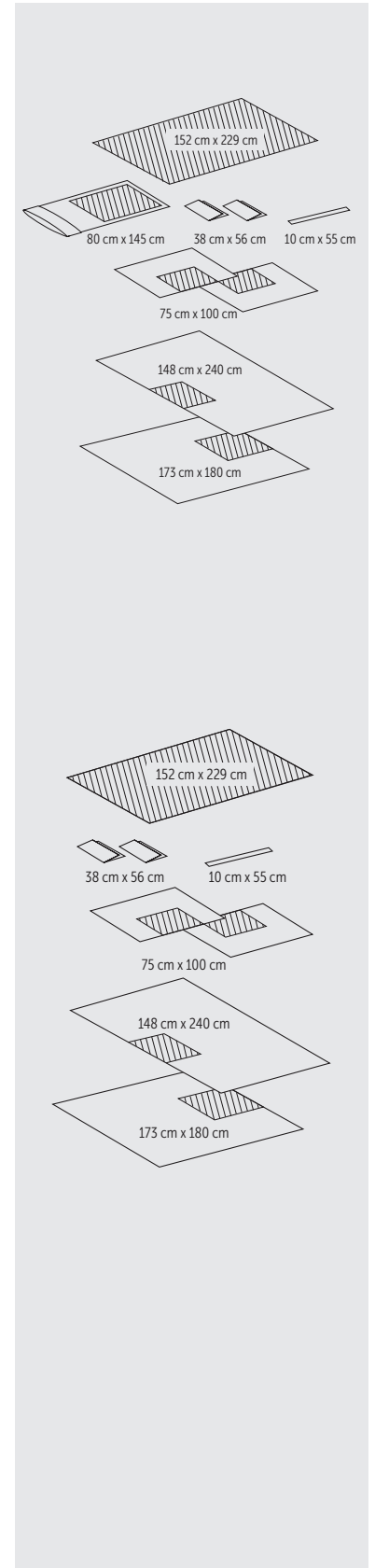
All codes in **bold** indicate a sterile product.

UNIVERSAL PACK

CODE	DESCRIPTION		ITEMS/CASE
<b>88100</b>	Universal Pack, incl. Mayo Stand Cover		12
STERILE	NON-STERILE	CONTENTS	
<b>42224</b>	42451	1 Back Table Cover, Reinforced 152 x 229 cm	
<b>89603</b>	79603	1 Mayo Stand Cover 80 x 145 cm	
<b>89053</b>	79053	1 Tape Strip 10 x 55 cm	
<b>89701</b>	79720	2 Absorbent Towels 38 x 56 cm	
-	79012	2 Side Drapes 75 x 100 cm: • Positioning Tape • CONTROL <sup>+</sup> Plus Fabric Reinforcement	
-	79011	1 Bottom Drape 173 x 180 cm: • Positioning Tape • CONTROL <sup>+</sup> Plus Fabric Reinforcement	
-	79010	1 Top Drape 148 x 240 cm: • Positioning Tape • CONTROL <sup>+</sup> Plus Fabric Reinforcement	

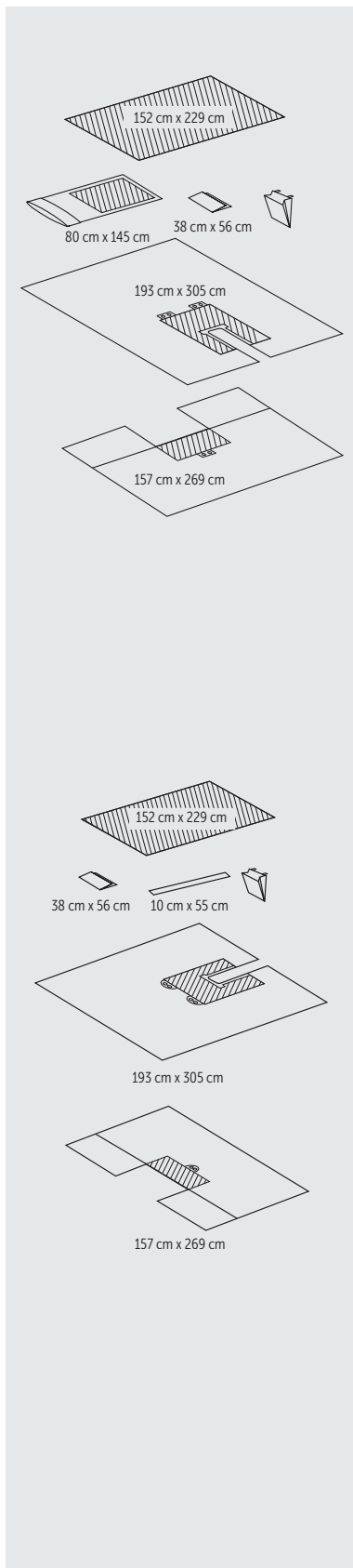
UNIVERSAL PACK

CODE	DESCRIPTION		ITEMS/CASE
<b>88103</b>	Universal Pack, excl. Mayo Stand Cover		12
STERILE	NON-STERILE	CONTENTS	
-	-	1 Sterilisation Wrap 96 x 96 cm	
<b>42224</b>	42451	1 Back Table Cover, Reinforced 152 x 229 cm	
<b>89053</b>	79053	1 Tape Strip 10 x 55 cm	
<b>89701</b>	79720	2 Absorbent Towels 38 x 56 cm	
-	79012	2 Side Drapes 75 x 100 cm: • Positioning Tape • CONTROL <sup>+</sup> Plus Fabric Reinforcement	
-	79011	1 Bottom Drape 173 x 180 cm: • Positioning Tape • CONTROL <sup>+</sup> Plus Fabric Reinforcement	
-	79010	1 Top Drape 148 x 240 cm: • Positioning Tape • CONTROL <sup>+</sup> Plus Fabric Reinforcement	



All codes in **bold** indicate a sterile product.

# PAEDIATRICS PACKS



## U-BAR\* PACK VI

CODE	DESCRIPTION		ITEMS/CASE
<b>7794</b>	U-BAR* Pack VI		9
	STERILE	NON-STERILE	CONTENTS
	-	-	1 Sterilisation Wrap 96 x 96 cm
	-	42451	1 Back Table Cover, Reinforced 152 x 229 cm
	<b>89603</b>	79603	1 Mayo Stand Cover 80 x 145 cm
	<b>89701</b>	79720	1 Absorbent Towel 38 x 56 cm
	-	-	1 Suture Bag
	-	76361	1 U-Drape 193 x 305 cm: <ul style="list-style-type: none"> <li>• Split 10 x 101 cm</li> <li>• Positioning Tape</li> <li>• CONTROL* Plus Fabric Reinforcement</li> <li>• Tube Holders</li> </ul>
	-	76363	1 Bar Drape 157 x 269 cm: <ul style="list-style-type: none"> <li>• Armboard Covers</li> <li>• Positioning Tape</li> <li>• CONTROL* Plus Fabric Reinforcement</li> <li>• Tube Holders</li> </ul>

## U-BAR\* PACK

CODE	DESCRIPTION		ITEMS/CASE
<b>77853</b>	U-BAR* Pack		10
	STERILE	NON-STERILE	CONTENTS
	-	-	1 Sterilisation Wrap 89 x 89 cm
	-	42451	1 Back Table Cover, Reinforced 152 x 229 cm
	<b>89701</b>	79720	1 Absorbent Towel 38 x 56 cm
	-	-	1 Suture Bag
	-	76361	1 U-Drape 193 x 305 cm: <ul style="list-style-type: none"> <li>• Split 10 x 101 cm</li> <li>• Positioning Tape</li> <li>• CONTROL* Plus Fabric Reinforcement</li> <li>• Tube Holders</li> </ul>
	-	76363	1 Bar Drape 157 x 269 cm: <ul style="list-style-type: none"> <li>• Armboard Covers</li> <li>• Positioning Tape</li> <li>• CONTROL* Plus Fabric Reinforcement</li> <li>• Tube Holders</li> </ul>
	<b>89053</b>	79053	1 Tape Strip 10 x 55 cm

All codes in **bold** indicate a sterile product.

**SMALL PROCEDURE PACK II**

CODE	DESCRIPTION		ITEMS/CASE
<b>77717</b>	Small Procedure Pack II		10
STERILE	NON-STERILE	CONTENTS	
-	-	Sterilisation Wrap 89 x 89 cm	
<b>42222</b>	42428	1 Back Table Cover, Reinforced 152 x 191 cm	
-	-	1 Fenestrated Drape 211 x 241 cm: • Circular Fenestration 12 cm centered • CONTROL* Plus Fabric Reinforcement	
<b>89701</b>	79720	2 Absorbent Towels 38 x 56 cm	
<b>89053</b>	79053	1 Tape Strip 10 x 55 cm	

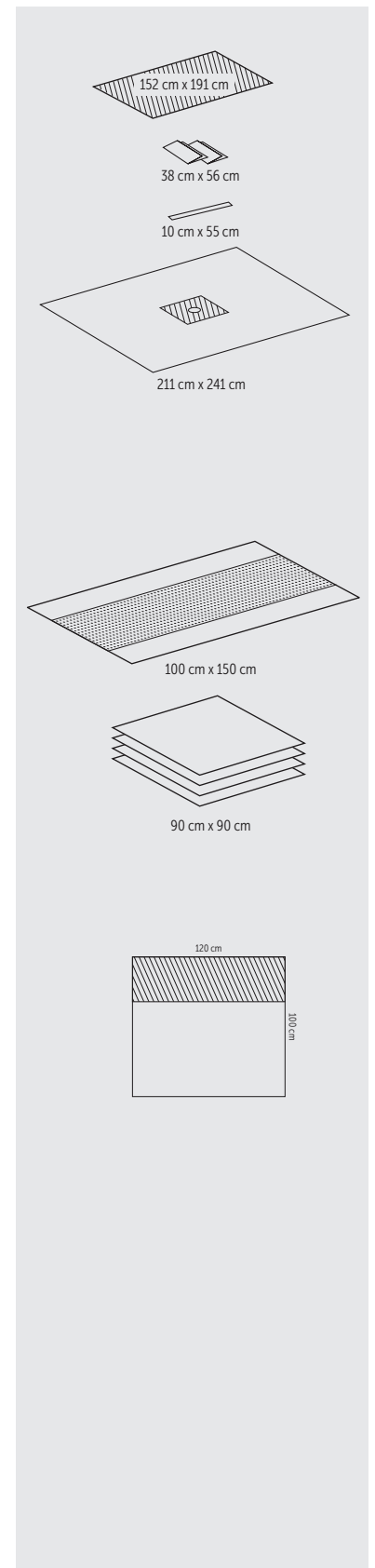
**HALYARD BASICS\* BASIC PACK**

CODE	DESCRIPTION		ITEMS/CASE
<b>89682</b>	HALYARD BASICS* Basic Pack		10
STERILE	NON-STERILE	CONTENTS	
<b>89632</b>	79741	1 Back Table Cover, Zone Reinforced, 100 x 150 cm: • Spunbond	
<b>89679</b>	79783	4 Utility Drapes with Tape, 90 x 90 cm: • Spunbond Film	

**SIDE DRAPE WITH ADHESIVE, 120 X 100 CM**

- SMS
- Adhesive size 2,5cm x 120 cm

CODE	DESCRIPTION	ITEMS/CASE
K795805	Side Drape with Adhesive	70



All codes in **bold** indicate a sterile product.

**FENESTRATED DRAPES**

**MINOR PROCEDURE FENESTRATED DRAPE, 76 X 76 CM**

- Fenestration 3 x 5 cm
- CONTROL<sup>®</sup> Fabric Reinforcement 12 x 20 cm
- Positioning Tape

CODE	DESCRIPTION	ITEMS/ CASE	ITEMS/ DISPENSER	DISPENSERS/ CASE
<b>89206</b>	Minor Procedure Fenestrated Drape, Sterile	100	25 x 4	4
79206	Minor Procedure Fenestrated Drape, Non-Sterile	250 -	-	

**MINOR PROCEDURE FENESTRATED DRAPE, 122 X 152 CM**

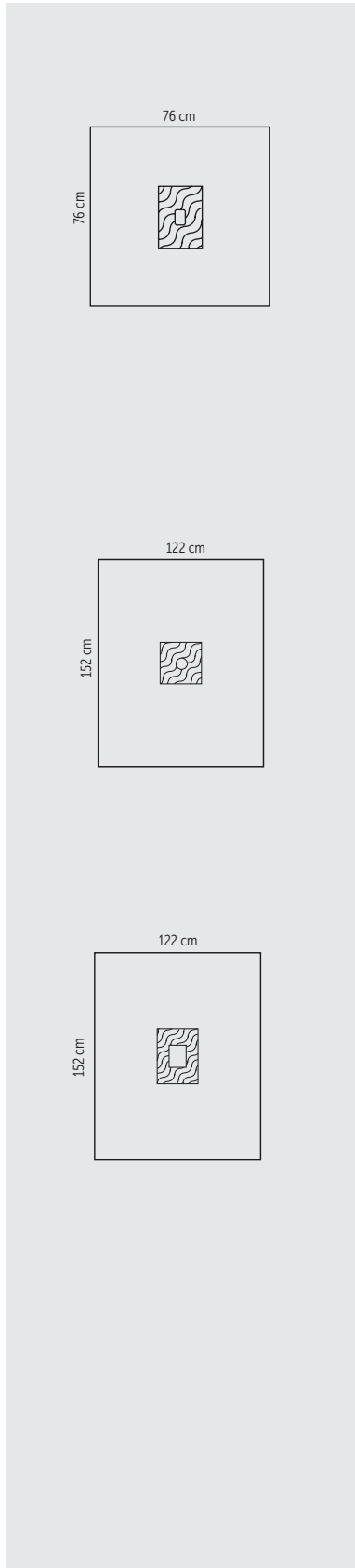
- Fenestration (Diameter 7 cm)
- CONTROL<sup>®</sup> Fabric Reinforcement 31 x 31 cm
- Positioning Tape

CODE	DESCRIPTION	ITEMS/CASE
<b>89207</b>	Minor Procedure Fenestrated Drape, Sterile	40
79207	Minor Procedure Fenestrated Drape, Non-Sterile	60

**MINOR PROCEDURE FENESTRATED DRAPE, 122 X 152 CM**

- Fenestration 12 x 15 cm
- CONTROL<sup>®</sup> Fabric Reinforcement 41 x 31 cm
- Positioning Tape

CODE	DESCRIPTION	ITEMS/CASE
<b>89208</b>	Minor Procedure Fenestrated Drape, Sterile	40
79208	Minor Procedure Fenestrated Drape, Non-Sterile	60



All codes in **bold** indicate a sterile product.

## BREAST/CHEST DRAPES

### BREAST DRAPE, 254 X 315 X 193 CM

- Fenestration 15 x 15 cm
- CONTROL\* Fabric Reinforcement 51 x 71 cm
- Hook and Loop Tube and Line Control
- Armboard Covers

CODE	DESCRIPTION	ITEMS/CASE
<b>89236</b>	Breast Drape, Sterile	10
79236	Breast Drape, Non-Sterile	20

## ANGIOGRAPHY DRAPES

### PAEDIATRIC FEMORAL ANGIOGRAPHY DRAPE, 193 X 310 CM, WITH SINGLE WINDOW

- 64 x 215 cm Window
- Two 7.6 cm Diameter Fenestrations
- CONTROL\* Plus Fabric Reinforcement 122 x 61 cm
- Positioning Tape

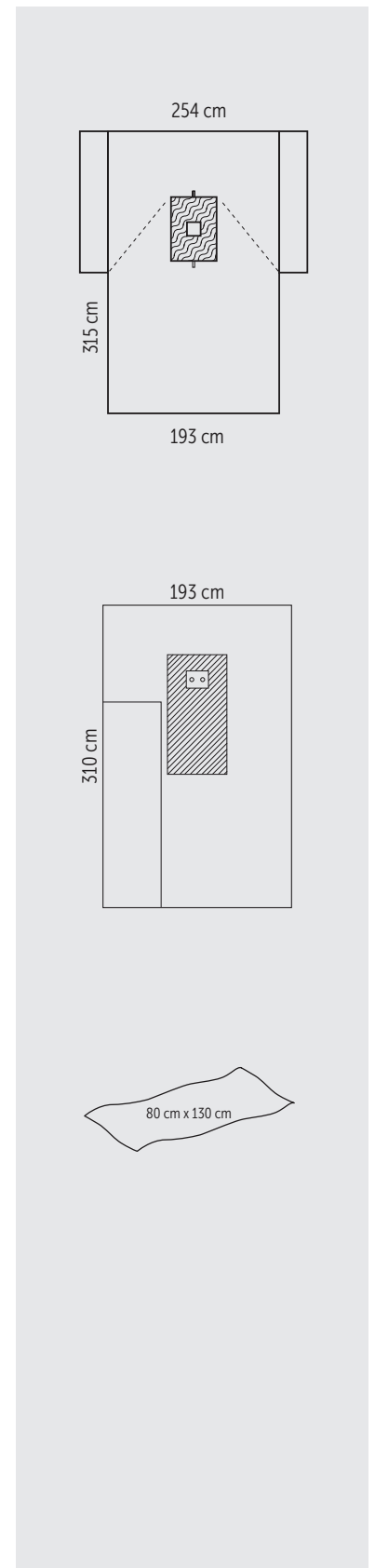
CODE	DESCRIPTION	ITEMS/CASE
<b>77382</b>	Paediatric Femoral Angiography Drape with Single Window, Sterile	25
76382	Paediatric Femoral Angiography Drape with Single Window, Non-Sterile	14

## BABY BLANKETS

### BABY BLANKET, 80 X 130 CM

- Absorbent

CODE	DESCRIPTION	ITEMS/CASE
76394	Baby Blanket, Non-Sterile	141



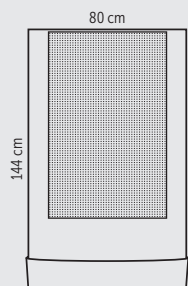
All codes in **bold** indicate a sterile product.

# EQUIPMENT COVERS

## EQUIPMENT COVERS

### MAYO STAND COVERS

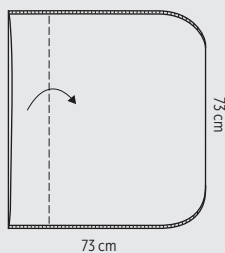
#### MAYO STAND COVERS



CODE	DESCRIPTION		ITEMS/CASE	
	STERILE	NON-STERILE	STERILE	NON-STERILE
<b>89601</b>	79601	58 x 137 cm	<b>54</b>	150
-	79602	76 x 145 cm	-	120
<b>89603</b>	79603	80 x 145 cm	<b>44</b>	120
-	K796019	80 x 170 cm	-	60
<b>47348</b>	78657	HALYARD BASICS* Mayo Stand Cover, 80 x 144 cm: • Zone-Reinforced • Spunbond	<b>40</b>	90
<b>14007</b>	76358	Reinforced Mayo Stand Cover, 76 x 145 cm: • CONTROL* Plus Fabric Reinforcement 61 x 76 cm	<b>44</b>	68
<b>77883</b>	-	Mayo Cover Reinforcement 60 x 80 cm: • CONTROL* Plus Fabric Reinforcement	<b>50</b>	-
<b>77452</b>	-	Large Mayo Stand Cover, 121 x 182 cm • CONTROL* Plus Fabric Reinforcement 119 x 88 cm • Cuff 18 cm	<b>15</b>	-
-	K796011	Reinforced Mayo Stand Cover, 80 x 145 cm • CONTROL* Fabric Reinforcement	-	60
-	K796012	Reinforced Mayo Stand Cover, 95 x 195 cm • CONTROL* Fabric Reinforcement	-	54

### STOOL COVERS

#### STOOL COVER



CODE	DESCRIPTION		ITEMS/CASE	
	STERILE	NON-STERILE	STERILE	NON-STERILE
<b>K103600</b>	K103502	Stool Cover, 73 x 73 cm, Non-Sterile • SMS	<b>140</b>	150

All codes in **bold** indicate a sterile product.

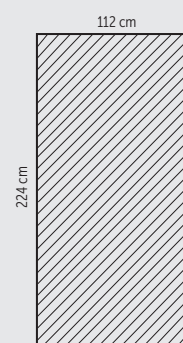
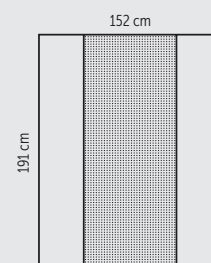
## BACK TABLE COVERS

## BACK TABLE COVERS, ZONE-REINFORCED

CODE STERILE	NON-STERILE	DESCRIPTION	STERILE	ITEMS/CASE NON-STERILE
<b>89632</b>	79741	HALYARD BASICS® Back Table Cover, Zone-Reinforced, 100 x 150 cm: • Spunbond	<b>50</b>	70
<b>88673</b>	78669	HALYARD BASICS® Back Table Cover, Zone-Reinforced, 152 x 191 cm: • Spunbond	<b>20</b>	50

## BACK TABLE COVERS, REINFORCED

CODE STERILE	NON-STERILE	DESCRIPTION	STERILE	ITEMS/CASE NON-STERILE
<b>42217</b>		Back Table Cover, Reinforced, 112 x 229 cm	<b>28</b>	
-	42447	Back Table Cover, Reinforced, 112 x 198 cm	-	800
-	42446	Back Table Cover, Reinforced, 112 x 112 cm	-	1280
-	42228	Back Table Cover, Reinforced, 178 x 279 cm	<b>36</b>	320
-	42449	Back Table Cover, Reinforced, 127 x 229 cm	-	560
<b>42222</b>	42428	Back Table Cover, Reinforced, 152 x 191 cm	<b>28</b>	540
-	42481	Back Table Cover, Reinforced, 152 x 152 cm	-	660
-	42225	Back Table Cover, Reinforced, 152 x 229 cm	-	480
-	42409	Back Table Cover, Reinforced, Fan Fold, 178 x 279 cm	<b>36</b>	200
-	42366	Back Table Cover, Reinforced, Heavy Duty, Fan Fold, 152 x 229 cm	-	200
-	42367	Back Table Cover, Reinforced, Heavy Duty, 178 x 279 cm	-	160
-	42302	Back Table Cover, Reinforced, Fan Fold, 112 x 224 cm	-	60
<b>42345</b>	42365	Back Table Cover, Reinforced, 140 x 190 cm	<b>24</b>	420
-	42480	Back Table Cover, Reinforced, 150 x 150 cm	-	720
<b>42224</b>	42451	Back Table Cover, Reinforced, 152 x 229 cm	<b>36</b>	480
<b>42312</b>	42313	Back Table Cover, Reinforced, 191 x 201 cm	<b>20</b>	32
-	76372	Back Table Cover 190 x 240 cm with CONTROL® Plus Fabric Reinforcement 102 x 240 cm	-	8
<b>42309</b>	-	Back Table Cover, Reinforced, Heavy Duty, 177 x 279 cm	<b>15</b>	-
-	47520	Back Table Cover, Standard, 152 x 191 cm	-	480



All codes in **bold** indicate a sterile product.

# ACCESSORIES

## ACCESSORIES

### UNDER BUTTOCKS DRAPES

#### UNDER BUTTOCKS DRAPE, PLASTIC, 75 X 112 CM

CODE	DESCRIPTION	ITEMS/CASE
<b>89411</b>	Under Buttocks Drape, Plastic, Sterile	48

#### UNDER BUTTOCKS DRAPE, ZONE REINFORCED, MEDIUM, 97 X 112 CM

- Film Fabric Reinforcement

CODE	DESCRIPTION	ITEMS/CASE
79411	Under Buttocks Drape, Zone Reinforced, Medium, Non-Sterile	115

#### UNDER BUTTOCKS DRAPE, PLASTIC REINFORCED, LARGE, 102 X 117 CM

CODE	DESCRIPTION	ITEMS/CASE
<b>89413</b>	Under Buttocks Drape, Plastic Reinforced, Large, Sterile	50

#### UNDER BUTTOCKS DRAPE, 102 X 112 CM

- With Fluid Collection Pouch, Screen and Suction Port
- Adhesive Pouch Closure

CODE	DESCRIPTION	ITEMS/CASE
<b>89415</b>	Under Buttocks Drape, Sterile	40
79415	Under Buttocks Drape, Non-Sterile	100

#### HALYARD BASICS\* UNDER BUTTOCKS DRAPE, 102 X 112 CM

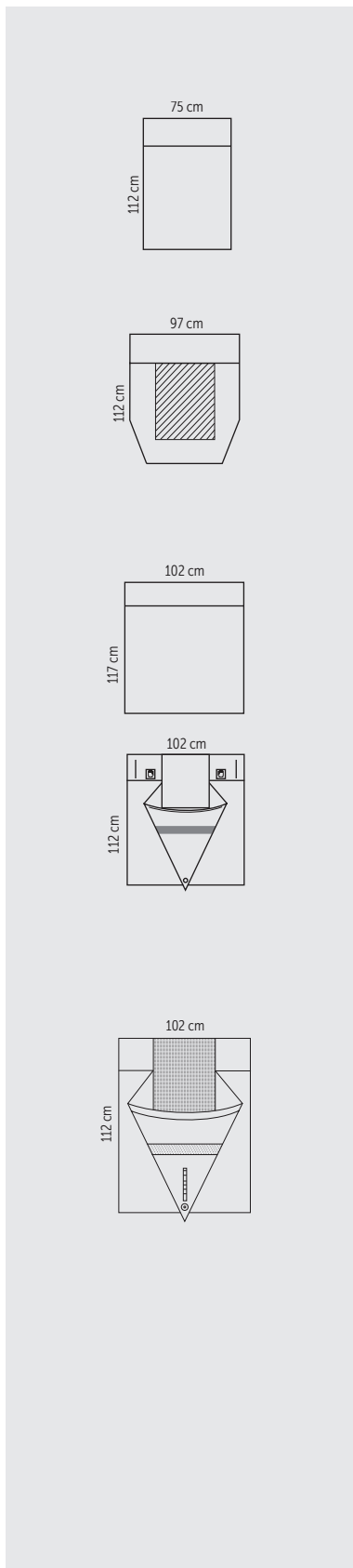
- With Graduated Fluid Collection Pouch
- Spunbond

CODE	DESCRIPTION	ITEMS/CASE
<b>89584</b>	HALYARD BASICS* Under Buttocks Drape, Sterile	65

### CLEAR DRAPES

#### CLEAR TOWEL DRAPE 45 CM X 30 CM

CODE	DESCRIPTION	ITEMS/CASE
<b>49046</b>	Clear Towel Drape, Sterile	40
49056	Clear Towel Drape, Non-Sterile	200



All codes in **bold** indicate a sterile product.

**CLEAR TOWEL DRAPE, 45 CM X 60 CM**

CODE	DESCRIPTION	ITEMS/CASE
<b>49047</b>	Clear Towel Drape, Sterile	40
49057	Clear Towel Drape, Non-Sterile	300

**CLEAR U-DRAPE WITH APERTURE 120 CM X 130 CM**

CODE	DESCRIPTION	ITEMS/CASE
<b>49048</b>	Clear U-Drape with Aperture, Sterile	40
49058	Clear U-Drape with Aperture, Non-Sterile	200

**CLEAR U-DRAPE WITH APERTURE 120 CM X 180 CM**

CODE	DESCRIPTION	ITEMS/CASE
<b>49049</b>	Clear U-Drape with Aperture, Sterile	40
49059	Clear U-Drape with Aperture, Non-Sterile	200

**CLEAR INCISE DRAPE 40 CM X 40 CM**

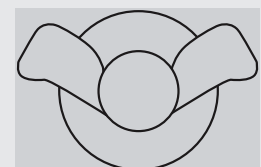
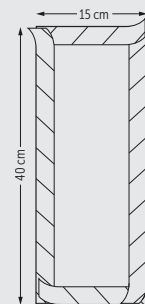
CODE	DESCRIPTION	ITEMS/CASE
<b>49050</b>	Clear Incise Drape, Sterile	80
49060	Clear Incise Drape, Non-Sterile	200

**PERINEAL COVER DRAPES**

**HALYARD BASICS\* PERINEAL COVER DRAPE WITH TAPE, 15 X 40 CM**

- Spunbond Film
- Positioning Tape

CODE	DESCRIPTION	ITEMS/CASE
<b>89675</b>	HALYARD BASICS* Perineal Cover Drape with Tape, Sterile	100
79697	HALYARD BASICS* Perineal Cover Drape with Tape, Non-Sterile	500



**IMPERVIOUS STOCKINETTES**

**IMPERVIOUS STOCKINETTE, MEDIUM, 23 X 112 CM**

CODE	DESCRIPTION	ITEMS/CASE
<b>89811</b>	Impervious Stockinette, Medium, Sterile	36
48759	Impervious Stockinette, Medium, Non-Sterile	90

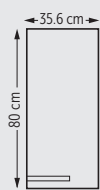


All codes in **bold** indicate a sterile product.

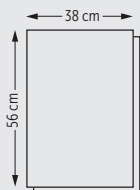
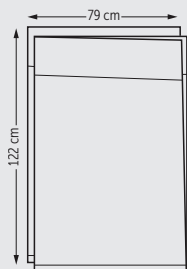
## ACCESSORIES



76214



44591



### IMPERVIOUS STOCKINETTE, LARGE, 30 X 122 CM

CODE	DESCRIPTION	ITEMS/CASE
<b>89821</b>	Impervious Stockinette, Large, Sterile	25
48760	Impervious Stockinette, Large, Non-Sterile	56

### ARMBOARD COVERS

#### ARMBOARD COVER

- Cuff 15 cm

CODE	DESCRIPTION	ITEMS/CASE
<b>76214</b>	Armboard Cover, 61 x 72 cm, Sterile	164 (2 covers/pouch)
76300	Armboard Cover, 61 x 72 cm, Non-Sterile	166
44591	Armboard Cover, 35.5 x 80 cm, Non-Sterile	3000 (100 covers/poly bag)

### LEGGINGS

#### LEGGINGS, 79 X 122 CM, WITH 15 CM CUFF

CODE	DESCRIPTION	ITEMS/PACKAGE	ITEMS/CASE
<b>89408</b>	Leggings, Sterile Pair	2	52 (2x26)
79408	Leggings, Non-Sterile	-	70

### TOWELS

#### ABSORBENT TOWELS, 38 X 56 CM

CODE	DESCRIPTION	ITEMS/PACKAGE	ITEMS/CASE
<b>89701</b>	Absorbent Towel, Sterile	2	200 (2x100)
79720	Absorbent Towel, Non-Sterile	-	1.000

### OR TOWELS

CODE	DESCRIPTION	SIZE	ITEMS/PACKAGE	ITEMS/CASE
<b>AR-28502</b>	Blue OR towel XR, Sterile	45 x 45 cm	2	80
<b>AR-28503</b>	Blue OR towel XR, Sterile	43 x 69 cm	2	80
<b>AR-28504</b>	Blue OR towel XR, Sterile	70 x 90 cm	1	40
AR-63001NS	Blue OR towel, Non-Sterile	66 x 43 cm	-	100

All codes in **bold** indicate a sterile product.

## TAPE STRIPS

### TAPE STRIPS, 10 X 55 CM

CODE	DESCRIPTION	ITEMS/PACKAGE	ITEMS/CASE
<b>89053</b>	Tape Strips, Sterile	2	600
79053	Tape Strips, Non-Sterile	-	1.000

## SLEEVES

### SLEEVE, 15 X 59 CM

CODE	DESCRIPTION	ITEMS/PACKAGE	ITEMS/CASE
<b>89791</b>	Sleeve, Sterile	1	100

## POUCHES

### DIATHERMY POUCH, 38 X 41 CM

- 2 compartments

CODE	DESCRIPTION	ITEMS/PACKAGE	ITEMS/CASE
<b>89945</b>	Diathermy Pouch, Sterile	1	150
79945	Diathermy Pouch, Non-Sterile	-	220

### DIATHERMY POUCH, SMS HEAVY DUTY, 27 X 29 CM

- 2 Tape Strips at the Back

CODE	DESCRIPTION	ITEMS/PACKAGE	ITEMS/CASE
<b>76270</b>	Diathermy Pouch, SMS Heavy Duty, Sterile	1	200

### CLEAR U-POUCH 89 CM X 76 CM

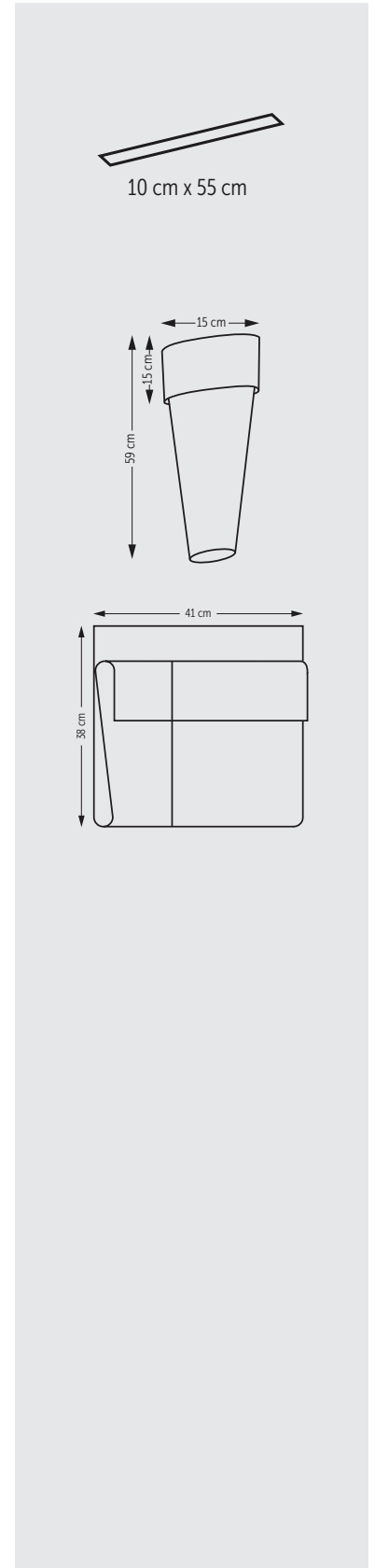
CODE	DESCRIPTION	ITEMS/CASE
<b>49041</b>	Clear U-pouch, Sterile	20
49051	Clear U-pouch, Non-Sterile	50

### CLEAR IRRIGATION POUCH 50 CM X 60 CM

CODE	DESCRIPTION	ITEMS/CASE
<b>49042</b>	Irrigation Pouch, Clear, Sterile	40
49052	Clear Irrigation Pouch, Non-Sterile	200

All codes in **bold** indicate a sterile product.

See Back Cover for Trademark Information



## ACCESSORIES

### CLEAR INSTRUMENT POUCH 18 CM X 30 CM

CODE	DESCRIPTION	ITEMS/CASE
49053	Clear Instrument Pouch, Non-Sterile	200

### CLEAR INSTRUMENT POUCH 33 CM X 38 CM

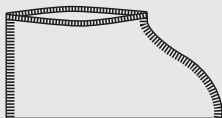
CODE	DESCRIPTION	ITEMS/CASE
<b>49045</b>	Clear Instrument Pouch, Sterile	200
49055	Clear Instrument Pouch, Non-Sterile	336

### CLEAR INSTRUMENT POUCH 25 CM X 47 CM

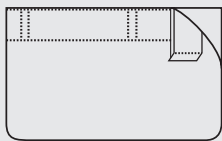
CODE	DESCRIPTION	ITEMS/CASE
<b>49044</b>	Clear Instrument Pouch, Sterile	40
49054	Clear Instrument Pouch, Non-Sterile	200

### CLEAR INSTRUMENT POUCH 50 CM X 60 CM

CODE	DESCRIPTION	ITEMS/CASE
<b>49043</b>	Clear Instrument Pouch, Sterile	40



76334



76340

## FOOT COVERS

### FOOT COVERS

CODE	DESCRIPTION	ITEMS/PACKAGE	ITEMS/CASE
76334	Foot Cover, Non-Sterile	1	300
76340	Foot Cover, Non-Sterile	1	400

## PITCHER

### PITCHER GRADUATED 1200 ML

CODE	DESCRIPTION	ITEMS/CASE
AR-1200	Pitcher graduated, Non-Sterile	70

All codes in **bold** indicate a sterile product.

## ROOM TURNOVER KITS

### ROOM TURNOVER KIT I

CODE	DESCRIPTION	ITEMS/CASE
68500	Room Turnover Kit I	40
STERILE	NON-STERILE	CONTENTS
-	68474	<ul style="list-style-type: none"> <li>• 1 Absorbent Table Cover, 101.6 cm x 228.6 cm, Grippy</li> <li>• 1 Lift Sheet, 101.6 cm x 152.4 cm</li> </ul>

### ROOM TURNOVER KIT II

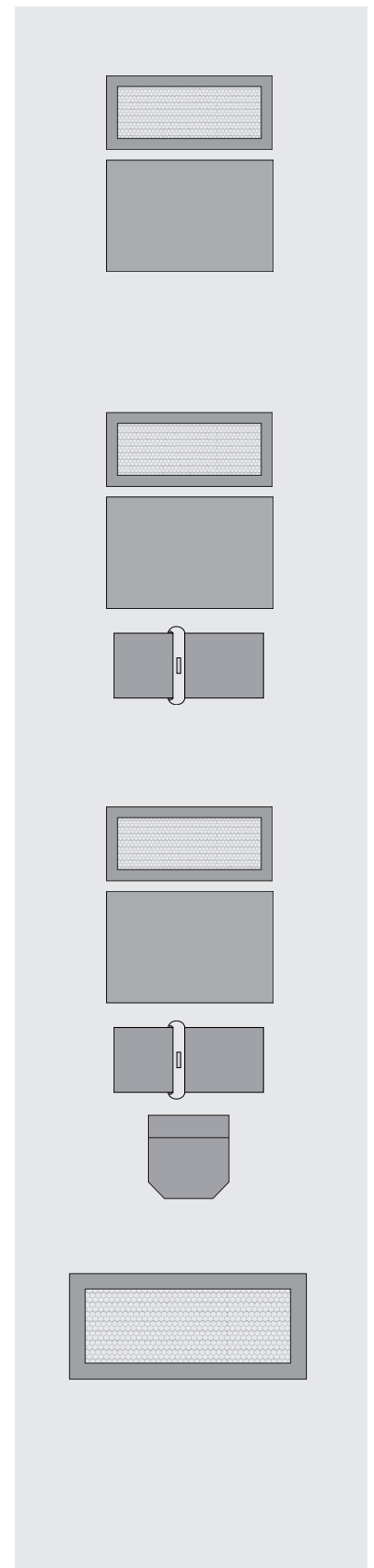
CODE	DESCRIPTION	ITEMS/CASE
68501	Room Turnover Kit II	36
STERILE	NON-STERILE	CONTENTS
-	68474	<ul style="list-style-type: none"> <li>• 1 Absorbent Table Cover, 101.6 cm x 228.6 cm, Grippy</li> <li>• 1 Lift Sheet, 101.6 cm x 152.4 cm</li> <li>• 2 Armboard Cover, 33 cm x 76.2 cm with Strap</li> </ul>

### ROOM TURNOVER KIT III

CODE	DESCRIPTION	ITEMS/CASE
68502	Room Turnover Kit III	36
STERILE	NON-STERILE	CONTENTS
-	68474	<ul style="list-style-type: none"> <li>• 1 Absorbent Table Cover, 101.6 cm x 228.6 cm, Grippy</li> <li>• 1 Lift Sheet, 101.6 cm x 152.4 cm</li> <li>• 2 Armboard Cover, 33 cm x 76.2 cm with Strap</li> <li>• 1 Head Rest Cover, 35.5 cm x 38.1 cm</li> </ul>

### GRIPPY ABSORBENT TABLE COVER

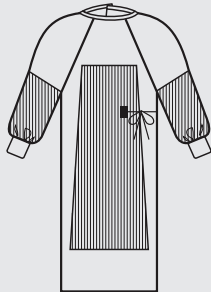
CODE	DESCRIPTION	ITEMS/CASE
68474	Absorbent Table Cover, 101.6 cm x 228.6 cm, Grippy Finish, Non-Sterile	20
50927	Absorbent Table Cover, 101.6 cm x 228.6 cm, Grippy Finish, Non-Sterile	40
49733	Absorbent Table Cover, 101 cm x 152 cm, Non Sterile	30
68475	Lift Sheet, 101 cm x 152 cm, Non Sterile	100



All codes in **bold** indicate a sterile product.

# HALYARD BASICS\*

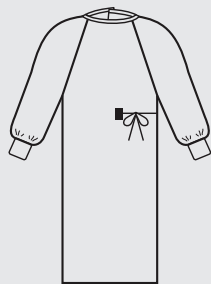
## HALYARD BASICS\* SURGICAL GOWNS



### HALYARD BASICS\* FABRIC-REINFORCED SURGICAL GOWNS

- SMS Fabric
- Fabric-Reinforced Chest and Sleeves
- Overlapping Back
- Raglan Sleeves
- Low Linting Fabric
- Colour Coded Neck Binding: Green
- Sterile Gown packaged with 2 Towels

CODE		SIZE	LENGTH*	ITEMS/CASE	
STERILE	NON-STERILE			STERILE	NON-STERILE
<b>13815</b>	-	X-Large, XX-Long	175 cm	<b>32</b>	-



### HALYARD BASICS\* SURGICAL GOWNS

- SMS Fabric
- Overlapping Back
- Raglan Sleeves
- Low Linting Fabric
- Colour Coded Neck Binding: White
- Sterile Gown packaged with 2 Towels
- Meet EN13795 Standard Performance

CODE		SIZE	LENGTH*	ITEMS/CASE	
STERILE	NON-STERILE			STERILE	NON-STERILE
<b>13337</b>	-	X-Large, XX-Long	175 cm	<b>40</b>	-
<b>11783</b>	33916	Large - Towel in Overwrap (handi-bin)	125 cm	<b>40</b>	440
<b>11784</b>	33917	X-Large - Towel in Overwrap (handi-bin)	131 cm	<b>40</b>	400
<b>99294</b>	32109	Large, X-Long - Towel in Overwrap (handi-bin)	145 cm	<b>40</b>	460
<b>99295</b>	32113	X-Large, X-Long - Towel in Overwrap (handi-bin)	150 cm	<b>40</b>	380
-	79284	Large (handi-bin)	125 cm	-	640
-	79294	Large, X-Long (handi-bin)	145 cm	-	560
-	79285	X-Large (handi-bin)	130 cm	-	560
-	79295	X-Large, X-Long (handi-bin)	150 cm	-	560



All codes in **bold** indicate a sterile product.

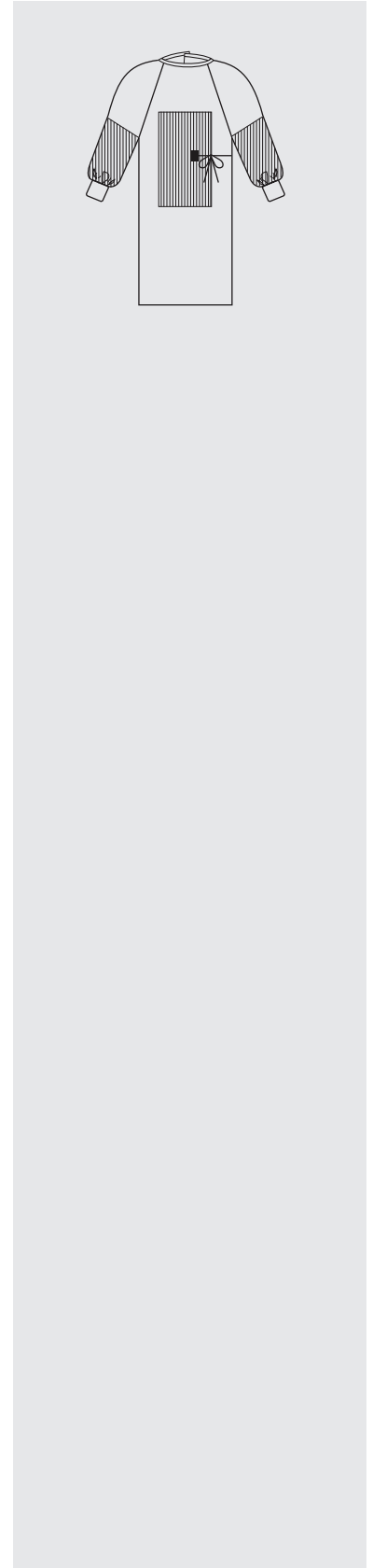
# EVOLUTION\* 4

## EVOLUTION\* 4 SURGICAL GOWNS

### EVOLUTION\* 4 FABRIC-REINFORCED SURGICAL GOWNS

- EVOLUTION\* 4 SMS Fabric
- Fabric-Reinforced Chest and Sleeves
- Raglan Sleeves
- Low Linting Fabric
- Colour Coded Neck Binding: Green
- Adjustable Neckline - Hook and Loop
- Sterile Gown packaged with 2 Towels
- Meet EN13795 Standard Performance

CODE		SIZE	LENGTH*	ITEMS/CASE	
STERILE	NON-STERILE			STERILE	NON-STERILE
<b>90112</b>	78911	Large	123 cm	<b>32</b>	36
<b>90113</b>	78913	Large, X-Long	143 cm	<b>30</b>	54
<b>90142</b>	78921	X-Large	127 cm	<b>30</b>	36
<b>90143</b>	78923	X-Large, X-Long	148 cm	<b>32</b>	48



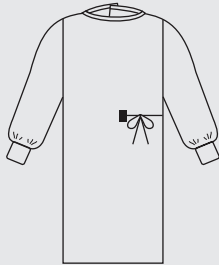
\* length back (neck to bottom)



All codes in **bold** indicate a sterile product.

# EVOLUTION\* 4 SURGICAL GOWNS

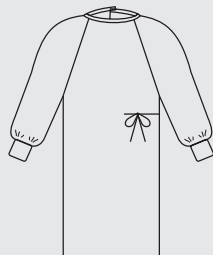
## EVOLUTION\* 4 STANDARD SURGICAL GOWNS SET-IN SLEEVES



- EVOLUTION\* 4 SMS Fabric
- Set-In-Sleeves
- Low Linting Fabric
- Colour Coded Neck Binding: Yellow
- Adjustable Neckline – Hook and Loop
- Sterile Gown packaged with 2 Towels
- Meet EN13795 Standard Performance

CODE		SIZE	LENGTH*	ITEMS/CASE	
STERILE	NON-STERILE			STERILE	NON-STERILE
<b>90016</b>	72978	Large	117 cm	<b>36</b>	640
<b>90046</b>	72988	X-Large	127 cm	<b>32</b>	640
<b>90019</b>	70391	Large, X-Long	132 cm	<b>34</b>	66
<b>90049</b>	70392	X-Large, X-Long	137 cm	<b>34</b>	60
-	79419	Large – Towel in Overwrap	111 cm	-	512
-	79434	X-Large – Towel in Overwrap	121 cm	-	448

## EVOLUTION\* 4 STANDARD SURGICAL GOWNS RAGLAN SLEEVES



CODE		SIZE	LENGTH*	ITEMS/CASE	
STERILE	NON-STERILE			STERILE	NON-STERILE
<b>90002</b>	-	Small	115 cm	<b>36</b>	-
<b>90012</b>	79970	Large	123 cm	<b>36</b>	40
<b>90042</b>	79980	X-Large	127 cm	<b>34</b>	36
<b>90013</b>	79973	Large, X-Long	143 cm	<b>34</b>	60
<b>90043</b>	79983	X-Large, X-Long	148 cm	<b>34</b>	48

\* length back (neck to bottom)



All codes in **bold** indicate a sterile product.

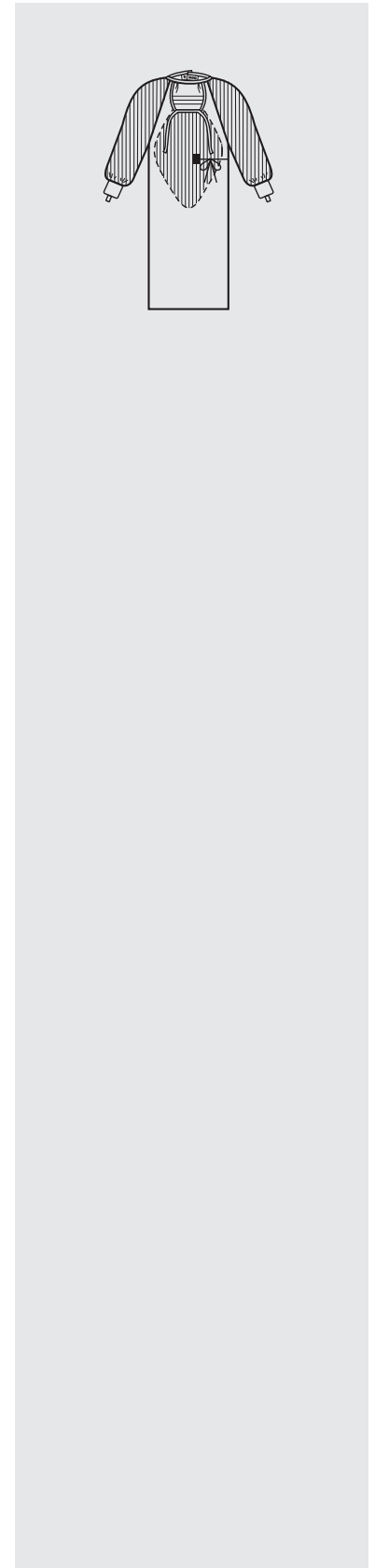
# ULTRA

## ULTRA SURGICAL GOWNS

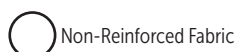
### ULTRA FABRIC-REINFORCED SURGICAL GOWNS WITH NECK PROTECTION & THUMB LOOPS

- SMS Fabric
- Extra Wide Fabric Reinforcements
- Raglan Sleeves
- Low Linting Fabric
- Colour Coded Neck Binding: Green
- Adjustable Neckline – Hook and Loop
- Neck Protection
- Thumb Loops
- Sterile Gown packaged with 1 Towel
- Meet EN13795 Standard Performance

CODE		SIZE	LENGTH <sup>+</sup>	ITEMS/CASE	
STERILE	NON-STERILE			STERILE	NON-STERILE
<b>90363</b>	77337	Large, X-Long	143 cm	<b>30</b>	48
<b>90373</b>	77336	X-Large, X-Long	148 cm	<b>28</b>	36



<sup>+</sup> length back (neck to bottom)



Non-Reinforced Fabric



Fabric-Reinforced



High Performance Area

All codes in **bold** indicate a sterile product.

# ULTRA SURGICAL GOWNS

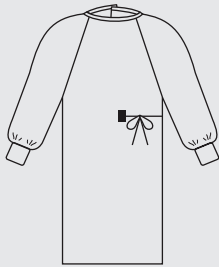
## ULTRA FABRIC-REINFORCED SURGICAL GOWNS



- SMS Fabric
- Extra Wide Fabric Reinforcements
- Raglan Sleeves
- Low Linting Fabric
- Colour Coded Neck Binding: Green
- Adjustable Neckline – Hook and Loop
- Sterile Gown packaged with 1 Towel
- Meet EN13795 Standard Performance

CODE	SIZE		LENGTH <sup>+</sup>	ITEMS/CASE	
	STERILE	NON-STERILE		STERILE	NON-STERILE
	74911	Large	125 cm		32
<b>95221</b>	74921	X-Large	130 cm	<b>28</b>	28
-	74931	XX-Large	137 cm	-	28
<b>95224</b>	77329	X-Large, X-Long	150 cm	<b>28</b>	54

## ULTRA SURGICAL GOWNS



- SMS Fabric
- Low Linting Fabric
- Raglan Sleeves
- Colour Coded Neck Binding: Yellow
- Adjustable Neckline - Hook and Loop
- Generous Cut
- Sterile Gown packaged with 2 Towels (Gown **95131** packaged with 1 Towel)
- Meet EN13795 Standard Performance

CODE	SIZE		LENGTH <sup>+</sup>	ITEMS/CASE	
	STERILE	NON-STERILE		STERILE	NON-STERILE
-	47247	Small	117 cm	-	640
<b>95113</b>	-	Large	123 cm	<b>32</b>	-
<b>95123</b>	-	X-Large	128 cm	<b>30</b>	-
<b>95131</b>	71331	XX-Large	135 cm	<b>28</b>	36
<b>95114</b>	71626	Large, X-Long	138 cm	<b>32</b>	60
<b>95124</b>	71627	X-Large, X-Long	144 cm	<b>30</b>	48

## ULTRA SURGICAL GOWN, WITH POLYPROPYLENE FABRIC

CODE	DESCRIPTION	SIZE	ITEMS/CASE
71321	ULTRA Surgical Gown with Polypropylene Fabric, Non-Sterile	X-Large	36

<sup>+</sup> length back (neck to bottom)



All codes in **bold** indicate a sterile product.

# VALUESELECT\*

## VALUESELECT\* SURGICAL GOWNS

### STANDARD SURGICAL GOWNS

- SMS Fabric
- Book-fold
- Set-in-sleeves
- Low-lint fabric
- Sterile gown packaged with two towels
- Comfortable
- Lightweight
- Soft cuffs
- Long Velcro adjustable collar for maximum flexibility

CODE	SIZE	LENGTH*	ITEMS/CASE	ITEMS/CASE	
STERILE	NON-STERILE		STERILE	NON-STERILE	
<b>50913</b>	46669	Medium	108 cm	<b>52</b>	513
<b>50914</b>	46670	Large	117 cm	<b>48</b>	486
<b>50915</b>	46671	X-Large	126 cm	<b>44</b>	486
<b>50916</b>	46672	XX-Large	135 cm	<b>44</b>	486
<b>50917</b>	47281	Large, X-Long	150 cm	<b>40</b>	480
<b>50918</b>	47282	X-Large, X-Long	150 cm	<b>40</b>	480
<b>50919</b>	70432	XX-Large, X-Long	155 cm	<b>40</b>	420

### HIGH-PERFORMANCE PE-REINFORCED SURGICAL GOWNS

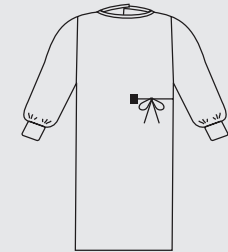
- SMS Fabric
- Book-fold
- Set-in-sleeves
- Low-lint fabric
- Sterile gown packaged with two towels
- Comfortable
- Lightweight
- Soft cuffs
- Long Velcro adjustable collar for maximum flexibility

CODE	SIZE	LENGTH*	ITEMS/CASE	ITEMS/CASE	
STERILE	NON-STERILE		STERILE	NON-STERILE	
<b>50920</b>	46677	Medium	108 cm	<b>44</b>	459
<b>50921</b>	46678	Large	117 cm	<b>44</b>	432
<b>50922</b>	46679	X-Large	126 cm	<b>44</b>	432
<b>50923</b>	46680	XX-Large	135 cm	<b>44</b>	478
<b>50924</b>	47283	Large, X-Long	150 cm	<b>40</b>	420
<b>50925</b>	47284	X-Large, X-Long	150 cm	<b>40</b>	360
<b>50926</b>	70434	XX-Large, X-Long	155 cm	<b>36</b>	360

\* length back (neck to bottom)

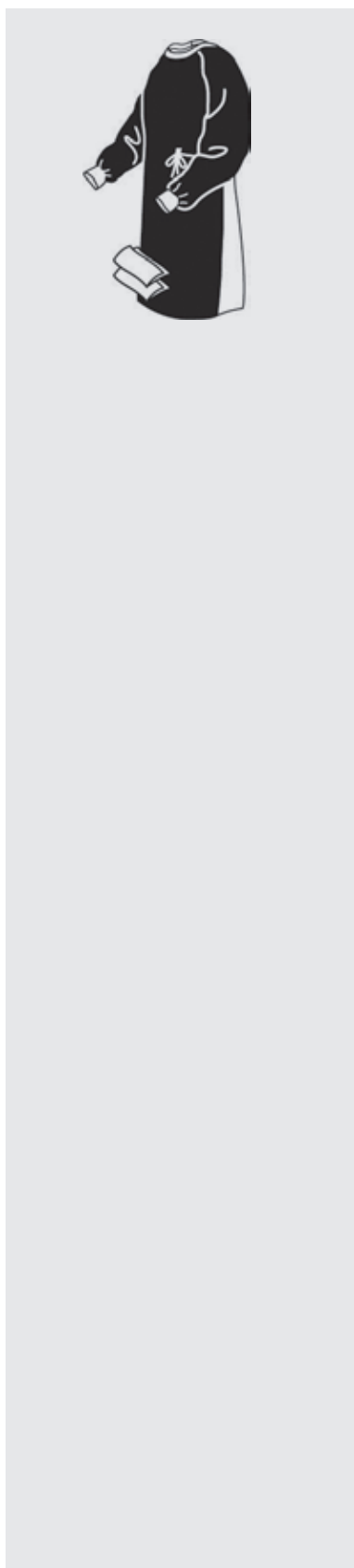
All codes in **bold** indicate a sterile product.

See Back Cover for Trademark Information



# AERO CHROME\*

## AERO CHROME\* SURGICAL GOWNS



### AERO CHROME\* BREATHABLE PERFORMANCE SURGICAL GOWNS

- Red collar to identify a high performance gown
- Breathable back panel maximises airflow
- Distinctive colour makes it easy to choose the AAMI level 4 protection
- Excellent ignition resistance, with the highest rating for protection against ignition with surgical lasers
- Soft, light and breathable fabric keeps staff protected yet cool and comfortable
- Low linting to help reduce the risk of wound contamination and infection
- Meet the High Performance per EN13795-1-2019
- Meets AAMI Level 4 standard for surgical gowns, providing the highest level of fluid and microbial protection in the critical zones
- Sterile gown packaged with 2 towels

CODE	SIZE	LENGTH*	ITEMS/CASE	
STERILE	NON-STERILE		STERILE	NON-STERILE
<b>48395</b>	48392	Large	<b>30</b>	40
<b>48397</b>	48399	Large, X-Long	<b>30</b>	36
<b>48396</b>	48393	X-Large	<b>28</b>	32
<b>48398</b>	48400	X-Large, X-Long	<b>30</b>	32
<b>48402</b>	48401	XX-Large, X-Long	<b>28</b>	30
<b>48403</b>	48394	XX-Large	<b>28</b>	32

\* length back (neck to bottom)



Non-Reinforced Fabric



Fabric-Reinforced



High Performance Area

All codes in **bold** indicate a sterile product.

# OPERATING ROOM SAFETY PRODUCTS

## SAFETY PRODUCTS

### LIGHT HANDLE COVERS

#### STANDARD LIGHT HANDLE COVER

- Ensures peace of mind for clinicians that the sterile field is protected
- Needs separate adaptor that fits specific operating room lights
- Phthalates-free
- Latex-Free
- PVC-free

CODE	DESCRIPTION	QUANTITY/CASE
<b>AR-LHCB01</b>	1 PACK, Sterile	100
<b>AR-LHCB02</b>	2 PACK, Sterile	120
AR-LHCBNS	Non-Sterile	300

A large range of Light Handle Adaptors for disposable light handle covers is available. Please contact your account manager.

#### SKIN MARKER

- With flexible 15cm ruler
- Convenient packaging
- Non-toxic
- Non-tattooing
- Latex-free
- Phthalates-free
- PVC-free

CODE	DESCRIPTION	BOX QUANTITY	CASE QUANTITY
<b>AR-26001</b>	Standard Tip, blue barrel, Sterile	25	150
AR-26001NS	Standard Tip w/Ruler, Non-Sterile	-	100
<b>AR-26002</b>	Fine Tip, white barrel, Sterile	25	150
AR-26002NS	Fine Tip w/Ruler, white barrel, Non-Sterile	-	150

#### ESMARK BANDAGE

- Advanced washing technology results in minimum powder
- Latex-free
- Phthalates-free
- PVC-free

CODE	SIZE	DESCRIPTION	QUANTITY/CASE
<b>AR-35309</b>	7.5 x 275 cm	Sterile	20
<b>AR-35409</b>	10 x 275 cm	Sterile	20
<b>AR-35609</b>	15 x 275 cm	Sterile	20
<b>AR-35612</b>	15 x 365 cm	Sterile	20
AR-35609NS	15cm x 275cm	Non-Sterile	20

All codes in **bold** indicate a sterile product.

## SAFETY PRODUCTS

### TUBE POSITIONER

- Adhesive Backing
- Easily detachable by gloved personnel
- With integrated radiopaque to ensure x-ray detectability
- Latex-free
- Phthalates-free
- PVC-free
- Sterile

CODE	DESCRIPTION	QUANTITY/CASE
<b>AR-30802</b>	Tube Positioner	50

### NEEDLE COUNTERS

#### STANDARD NEEDLE COUNTER

- Surface magnet for safe storage
- Foam for secure needle parking
- Clearly markings on magnets and foam
- Simple latch opening mechanism
- High contrast numbers
- Latex-free
- Phthalates-free
- PVC-free
- Sterile

CODE	DESCRIPTION	COUNTS	CAPACITY	Q/CASE
<b>AR-250101</b>	Double Magnet	20	40	100
<b>AR-250103</b>	Single Magnet, Clear top	10	20	100
<b>AR-250104</b>	Double Magnet, Horizontal	30	60	100
<b>AR-250401</b>	Foam Block/Magnet	20	40	100
<b>AR-250802</b>	Foam Strip	15	15	100
<b>AR-250504</b>	Foam Adhesive	40	80	50
<b>AR-250103Y</b>	Yellow, Single Magnet, Clear Top, Sterile	10	20	100
AR-250103NS	Red, Single Magnet, Clear Top, Non-Sterile	10	20	100
AR-250104NS	Red, Double Magnet, Horizontal, Non-Sterile	30	60	100
AR-250401NS	Red, Foam Block/Magnet, Non-Sterile	20	40	100
AR-250502NS	Red, Foam Block/Adhesive, Non-Sterile	20	40	100

All codes in **bold** indicate a sterile product.

## PREMIUM NEEDLE COUNTER

- Including blade removal feature
- Overlapping box edges
- Automatic passive locking latch
- Three interlocking hinges
- Latex-free
- Phthalates-free
- PVC-free

CODE	DESCRIPTION	COUNTS	CAPACITY	Q/CASE
<b>AR-251104</b>	Double Magnet, Sterile	30	60	100
<b>AR-251108</b>	Double Magnet, Sterile	60	120	108
<b>AR-251401</b>	Foam Block/Magnet, Sterile	20	40	80
<b>AR-251502</b>	Foam Block/Adhesive, Sterile	20	40	80
<b>AR-251701</b>	Magnet Foam/strips, Sterile	15	30	100
<b>AR-251104Y</b>	Yellow, Double Magnet, Blade Remover, Sterile	30	60	100
AR-251104NS	Red, Double Magnet, Blade Remover, Non-Sterile	30	60	100
AR-251104YNS	Yellow, Double Magnet, Blade Remover, Non-Sterile	30	60	100
AR-251108NS	Red, Double Magnet, Blade Remover, Non-Sterile	60	120	100
AR-251401NS	Red, Foam Block/Magnet, Blade Remover, Non-Sterile	20	40	64
AR-251502NS	Red, Foam Block/Adhesive, Blade Remover, Non-Sterile	20	40	100
AR-251504NS	Red, Foam Block/Adhesive, Blade Remover, Non-Sterile	40	80	100

## INSTRUMENT PADS

### MAGNETIC INSTRUMENT PAD

- Non-slip foam backing
- Special magnetic surface
- Latex-free
- Phthalates-free
- PVC-free

CODE	DESCRIPTION	SIZE	QUANTITY/CASE
<b>AR-25001</b>	Sterile	25 x 40cm	30
<b>AR-25011</b>	Non-slip, Sterile	50cm x 40 cm	30
AR-25001NS	Non-Sterile	25 cm x 40 cm	100

### INSTRUMENT PAD, NON-MAGNETIC

CODE	DESCRIPTION	QUANTITY/CASE
AR-25011NS	Non-magnetic Instrument pad, Non-Sterile	200

All codes in **bold** indicate a sterile product.

## EQUIPMENT COVERS

### C-ARM DRAPE WITH STRAPS

CODE	DESCRIPTION	SIZE	QUANTITY/CASE
<b>51717</b>	C-Arm Drape with Straps, Sterile	Large, 104 cm x 187 cm	40
<b>51718</b>	C-Arm Drape with Straps, Sterile	Mini, 137 cm x 213 cm	25
51817	C-Arm Drape with Straps, Non-Sterile	Large, NS, 104 cm X 187 cm	56
51818	C-Arm Drape with Straps, Non-Sterile	Mini, NS, 137 cm X 213 cm	50

### PE SHEET GENERAL SELF-ADHESIVE TAPE ON 4 SIDES

CODE	DESCRIPTION	SIZE	QUANTITY/CASE
<b>51719</b>	Sterile	104 cm x 162 cm	70
51819	Non-Sterile	NS, 104 cm X 162 cm	100

### DOME BANDED BAG

CODE	DESCRIPTION	SIZE	QUANTITY/CASE
<b>51720</b>	Dome Banded Bag, Sterile	45 cm Depth	80
<b>51721</b>	Dome Banded Bag, Sterile	55 cm Depth	80
<b>51722</b>	Dome Banded Bag, Sterile	66 cm Depth	80
<b>51723</b>	Dome Banded Bag, Sterile	76 cm Depth	80
51820	Dome Banded Bag, Non-Sterile	45 cm Depth	120
51821	Dome Banded Bag, Non-Sterile	55 cm Depth	120
51822	Dome Banded Bag, Non-Sterile	66 cm Depth	120
51823	Dome Banded Bag, Non-Sterile	76 cm Depth	114

All codes in **bold** indicate a sterile product.

## SQUARE BANDED BAG WITH TAPE

CODE	DESCRIPTION	SIZE	QUANTITY/CASE
<b>51724</b>	Square Banded Bag with Tape, Sterile	76 cm X 76 cm	90
<b>51727</b>	Square Banded Bag with Tape, Sterile	76 cm X 91 cm	90
<b>51728</b>	Square Banded Bag with Tape, Sterile	91 cm X 76 cm	86
<b>51725</b>	Square Banded Bag with Tape, Sterile	91 cm X 91 cm	100
<b>51729</b>	Square Banded Bag with Tape, Sterile	91 cm X 104 cm	80
<b>51726</b>	Square Banded Bag with Tape, Sterile	101 cm X 101 cm	80
51824	Square Banded Bag with Tape, Non-Sterile	NS, 76 cm X 76 cm	135
51827	Square Banded Bag with Tape, Non-Sterile	NS, 76 cm X 91 cm	135
51828	Square Banded Bag with Tape, Non-Sterile	NS, 91 cm X 76 cm	100
51825	Square Banded Bag with Tape, Non-Sterile	NS, 91 cm X 91 cm	150
51829	Square Banded Bag with Tape, Non-Sterile	NS, 91 cm X 104 cm	100
51826	Square Banded Bag with Tape, Non-Sterile	NS, 101 cm X 101 cm	120

## MICROSCOPE DRAPE

CODE	DESCRIPTION	SIZE	QUANTITY/CASE
<b>51730</b>	Zeiss MD, 65mm, Sterile	116 cm X 304 cm	10
<b>51734</b>	Zeiss MD, 65mm, Sterile	137 cm X 381 cm	16
<b>51731</b>	Zeiss OPMI, 48 mm, Sterile	137 cm X 381 cm	10
<b>51732</b>	Leica, 68mm, Sterile	116 cm X 304 cm	10
<b>51733</b>	Leica, 68mm, Sterile	137 cm X 381 cm	16
51830	Zeiss 65mm, Non-Sterile	NS, 116 cm X 304 cm	50
51831	Zeiss 48mm, Non-Sterile	NS, 137 cm X 381 cm	50
51832	Leica 68mm, Non-Sterile	NS, 116 cm X 304 cm	50
51833	Leica, 68mm, Non-Sterile	NS, 132 cm X 381 cm	50
51834	65mm	NS, 137 cm X 381 cm	50

## PROBE COVER PE, WITH GEL, ELASTIC AND STRIPS

CODE	DESCRIPTION	SIZE	QUANTITY/CASE
<b>51735</b>	Probe Cover PE, with Gel, Elastic and Strips, Sterile	15 cm X 122 cm	60
<b>51736</b>	Probe Cover PE, with Gel, Elastic and Strips, Sterile	15 cm X 243 cm	60
51835	Probe Cover with Gel, Elastic and Strips, Non-Sterile	NS, 15 cm X 122 cm	100
51836	Probe Cover with Gel, Elastic and Strips, Non-Sterile	NS, 15 cm X 243 cm	100

All codes in **bold** indicate a sterile product.

## SAFETY PRODUCTS

---

### ADHESIVE PROBE COVER WITH GEL

---

CODE	DESCRIPTION	SIZE	QUANTITY/CASE
<b>51737</b>	Adhesive Probe Cover With Gel, Sterile	15 cm X 238 cm	100
51837	Adhesive Probe Cover With Gel, Non-Sterile	NS, 15 cm X 238 cm	100

---

### PULL-UP PROBE COVER WITH GEL AND TAPE

---

CODE	DESCRIPTION	SIZE	QUANTITY/CASE
<b>51738</b>	Pull-Up Probe Cover With Gel and Tape, Sterile	15 cm X 122 cm	100
51838	Pull-Up Probe Cover With Gel and Tape, Non-Sterile	NS, 15 cm X 122 cm	200

---

### VIDEO DRAPE

---

CODE	DESCRIPTION	SIZE	QUANTITY/CASE
<b>51739</b>	Video Drape, Sterile	12 cm X 243 cm	60
51839	Video Drape, Non-Sterile	NS, 12 cm X 243cm	100

---

### O.R. TOURNIQUET COVER

---

CODE	DESCRIPTION	SIZE	QUANTITY/CASE
53600	O.R. Tourniquet Cover, Non-Sterile	Small	30
53605	O.R. Tourniquet Cover, Non-Sterile	Large	30

---

All codes in **bold** indicate a sterile product.

## SAFETY ACCESSORIES

### PERSONAL STIRRUP STRAP WITH SLIP RING

CODE	DESCRIPTION	QUANTITY/CASE
52712	Personal Stirrup Strap with Slip Ring, Non-Sterile	40

### O.R. TABLE/STRETCHER STRAP

CODE	DESCRIPTION	SIZE	QUANTITY/CASE
54800	O.R. Table/Stretcher Strap, Non-Sterile	8 cm X 76 cm	48

### SPONGE STICK

CODE	DESCRIPTION	SIZE	QUANTITY/CASE
AR-000182NS	Orange, Non-Sterile	20 cm	1000
AR-003415NS	Blue, Non-Sterile	15 cm	1000

### SPONGE FORCEPS NYLON

CODE	DESCRIPTION	SIZE	QUANTITY/CASE
AR-260175NS	Green, Non-Sterile	19 cm	500

### TOWEL CLAMP

CODE	DESCRIPTION	QUANTITY/CASE
AR-30900NS	Towel Clamp, Non-Sterile	500

### TEMPORARY SHARPS HOLDER

CODE	DESCRIPTION	QUANTITY/CASE
<b>AR-400456</b>	Sterile	50
AR-400456NS	Non-Sterile	100

All codes in **bold** indicate a sterile product.

## SAFETY PRODUCTS

---

### SPONGE COUNTER BAG

---

CODE	DESCRIPTION	QUANTITY/CASE
AR-25500NS	Sponge Counter Bag, Non-Sterile	250

### SCALPEL HOLDER

---

CODE	DESCRIPTION	QUANTITY/CASE
<b>AR-30920</b>	Sterile	120
AR-30920NS	Non-Sterile	200

### CAUTERY TIP CLEANER

---

CODE	DESCRIPTION	SIZE	QUANTITY/CASE
<b>AR-32200</b>	Cautery Tip Cleaner, Sterile	5 cm x 5 cm	300
AR-32200NS	Cautery Tip Cleaner, Non-Sterile		1000

### WASTE COLLECTION DEVICE

---

CODE	DESCRIPTION	QUANTITY/CASE
<b>AR-77301371</b>	Waste Disposal Device, Sterile	50
AR-77301371NS	Waste Disposal Device, Non-Sterile	100

All codes in **bold** indicate a sterile product.

## ENDOSCOPY, LAPAROSCOPY & ELECTROSURGICAL PRODUCTS

### ELECTROSURGICAL TIP CLEANER

- Coated Scratch Pad
- Extended adhesive peel-off backing
- Easy removal by gloved staff
- Facilitates quick and easy instrument cleaning
- Latex-free
- Phthalates-free
- PVC-free
- Sterile

CODE	DESCRIPTION	QUANTITY/CASE
<b>AR-32200</b>	Cautery Tip Cleaner, 5 x 5cm	1000

### ANTI-FOG SOLUTION KIT

- Bottle capacity: 6ml
- Adhesive foam application pad
- X-ray detectable
- Latex-free
- Phthalates-free
- PVC-free
- Sterile

CODE	DESCRIPTION	QUANTITY/CASE
<b>AR-7304412</b>	Anti-fog Solution Kit, Sterile	48

All codes in **bold** indicate a sterile product.

# TEMPERATURE MANAGEMENT

---

## PATIENT WARMING BLANKETS

---

- Three Layer Warmth
- Shrink-wrapped
- Cost-Effective, electricity free
- For reflective blanket - green side to be placed towards the body
- Latex-free
- Phthalates-free
- PVC-free
- Non-Sterile

CODE	DESCRIPTION	QUANTITY/CASE
AR-4115175	Standard Patient Warming Blanket/Large 130x 190 cm	50

## BABY BLANKETS

---

CODE	DESCRIPTION	SIZE	QUANTITY/CASE
<b>AR-003177</b>	White with Pink/Blue Stripe, Sterile	100cm X 85cm	60
AR-003177NS	Baby Blanket, Pink/Blue, Non-Sterile	-	100

## BABY CAPS

---

CODE	DESCRIPTION	QUANTITY/CASE
<b>AR-1336</b>	Pink/Blue, Stripe, Sterile	50
AR-1336NS	Pink/Blue, Stripe, Non-Sterile	100

All codes in **bold** indicate a sterile product.

# HOLLOWARE MULTIPURPOSE BOWLS, BASINS AND TRAYS

## PLACENTA BASINS

- Graduated in ml, cc and oz
- Optional lid available
- ETO Sterilisable
- No Latex
- No Phthalates
- Lot Traceable

CODE	DESCRIPTION	QUANTITY/CASE
AR-3000	Basin Placenta, 3000 ml	100
AR-9300	Lid Basin Placenta	100

## ESMESIS BASIN

- Flexible Design
- Burr-free Edges
- Smooth round Edges
- Graduated in ml, cc and oz
- ETO Sterilisable
- No Latex
- No Phthalates
- Lot Traceable

CODE	DESCRIPTION	QUANTITY/CASE
AR-0700	Basis Emesis, 700 ml	320

## RING BASINS

- Fits all standard ring stands
- AR-6000 graduated in ml, cc and oz
- ETO sterilisable
- No Latex
- No Phthalates
- Lot Traceable

CODE	DESCRIPTION	QUANTITY/CASE
AR-6000	Basin Ring, 6000 ml	60

All codes in **bold** indicate a sterile product.

## HOLLOWARE MULTIPURPOSE BOWLS, BASINS AND TRAYS

### MULTIPURPOSE TRAYS

- Flexible design
- Burr-free edges preventing particle shedding
- Thick corners preventing cracking or breaking
- 'Clean' Product, no wiping necessary
- ETO sterilisable
- No Latex
- No Phthalates
- Lot Traceable

CODE	DESCRIPTION	SIZE	QUANTITY/CASE
AR-0541	Tray Shallow Small	11 x 13 x 2.5 cm	600
AR-0542	Tray Deep Small	11 x 13 x 5 cm	600
AR-0904	Tray 2 Compartment	24 x 11 x 4.5 cm	300
AR-0910	Tray 3 Compartment	25 x 24 x 4.9 cm	150
AR-0911	Tray J-Wire	27 x 24 x 5 cm	150
AR-0952	Tray Deep Large	24.5 x 14 x 5 cm	300
AR-1115	Tray Platform Small	28 x 38 x 2.5 cm	80
AR-1219	Tray Mayo	43 x 28 x 1.5 cm	40
AR-1416	Tray Platform Flat	38 x 24 x 2.5 cm	50
AR-1622	Tray Mayo Large	52 x 38 x 2 cm	30
AR-0951	Tray Shallow Large	14 x 24 x 2.5 cm	300

### BOWLS

- Graduated in ml, cc and oz
- Optional lids available
- ETO sterilisable
- No Latex
- No Phthalates
- Lot Traceable

CODE	DESCRIPTION	QUANTITY/CASE
AR-0250	Sponge Bowl, 250 ml	600
AR-9025	Lid Bowl, 250 ml	300
AR-0500	Sponge Bowl, 500 ml	390
AR-1000	Sponge Bowl, 1000 ml	340
AR-9100	Lid Bowl, 1000 & 1500 ml	160
AR-1500	Sponge Bowl, 1500 ml	320
AR-2500	Sponge Bowl, 2500 ml	160
AR-9250	Lid Bowl, 2500ml & Bowl G/W	120
AR-GW2000CT	Guidewire Bowl, 2500 ml	240

All codes in **bold** indicate a sterile product.

## HOLLOWARE MULTIPURPOSE BOWLS, BASINS AND TRAYS

### RECTANGULAR BASIN

- ETO Sterilisable
- No Latex
- No Phthalates
- Lot Traceable

CODE	DESCRIPTION	QUANTITY/CASE
AR-8000	Rectangular Basin 8000ml	50

### MEDICINE CUPS

- Various colours available
- Tapered design for stacking
- Graduated in cc and oz
- ETO Sterilisable
- No Latex
- No Phthalates
- Lot Traceable

CODE	DESCRIPTION	COLOUR	QUANTITY/CASE
AR-0060	Cup medicine, 60 ml	Clear	1150
AR-0060-BL	Cup medicine, 60 ml	Blue	1150
AR-0060-RD	Cup medicine, 60 ml	Red	1150
AR-0060-GN	Cup medicine, 60 ml	Green	1150

All codes in **bold** indicate a sterile product.

# INDEX BY CODE

CODE	PAGE	CODE	PAGE	CODE	PAGE	CODE	PAGE
11783	118	42428	15, 16, 17, 25, 26, 27, 50,	48760	114	49079	96
11784	118		51, 53, 54, 56, 60, 70, 71, 72,	48957	95	49080	96
13227	51, 66		73, 74, 79, 80, 86, 104, 107, 111	48958	95	49733	117
13228	64	42446	28, 111	48959	95	50913	123
13231	32	42447	79, 111	48986	95	50914	123
13232	54, 56, 64	42449	59, 111	48987	95	50915	123
13233	55, 64	42451		48988	95	50916	123
13294	61	18, 19, 22, 23, 26, 54, 55, 57, 59,		48989	96	50917	123
13296	97	60, 61, 87, 90, 91, 105, 106, 111		48990	96	50918	123
13337	118	42480	111	49000	96	50919	123
13815	118	42481	111	49016	96	50920	123
14007	110	44591	114	49017	96	50921	123
14364	29	46669	123	49020	96	50922	123
14365	29	46670	123	49021	96	50923	123
29148	103	46671	123	49035	96	50924	123
29149	103	46672	123	49036	95	50925	123
29219	64	46677	123	49037	95	50926	123
29220	64	46678	123	49038	95	50927	117
29221	69	46679	123	49039	95	51717	128
29222	64	46680	123	49041	115	51718	128
29223	65	47247	122	49042	115	51719	128
29224	69	47281	123	49043	116	51720	128
29225	100	47282	123	49044	116	51721	128
29226	100	47283	123	49045	116	51722	128
29229	99	47284	123	49046	112	51723	128
29231	99	47348	20, 24, 51, 52, 53, 110	49047	113	51724	129
32109	118	47614	41, 53, 56, 60, 74, 82, 91	49048	113	51725	129
32113	118	47616	41, 53, 56, 60, 74, 82, 91	49049	113	51726	129
33412	68	47618	41	49050	113	51727	129
33415	68	47622	25, 41, 51, 55	49051	115	51728	129
33916	118	47623	25, 41, 51, 55	49052	115	51729	129
33917	118	47631	41	49053	116	51730	129
42217	74, 111	48392	124	49054	116	51731	129
42222	15, 16, 17, 25, 26, 27, 50,	48393	124	49055	116	51732	129
	51, 53, 54, 56, 60, 70, 71, 72,	48394	124	49056	112	51733	129
	73, 74, 79, 80, 86, 104, 107, 111	48395	124	49057	113	51734	129
42224	18, 22, 26, 55, 57,	48396	124	49058	113	51735	129
	59, 60, 61, 87, 90, 91, 105, 111	48397	124	49059	113	51736	129
42225	111	48398	124	49060	113	51737	130
42228	111	48399	124	49069	96	51738	130
42302	75, 111	48400	124	49070	96	51739	130
42309	111	48401	124	49071	95	51817	128
42312	55, 58, 82, 90, 111	48402	124	49072	95	51818	128
42313	55, 58, 82, 90, 111	48403	124	49073	96	51819	128
42345	51, 58, 72, 87, 90, 91, 111	48755	58	49074	96	51820	128
42365	72, 87, 111	48756	56	49075	96	51821	128
42366	111	48757	56	49076	96	51822	128
42367	111	48758	57, 117	49077	96	51823	128
42409	111	48759	113	49078	96	51824	129

## INDEX BY CODE

CODE	PAGE	CODE	PAGE	CODE	PAGE	CODE	PAGE
51825	129	76249	58	77492	72	79109	91, 99
51826	129	76263	27	77707	85	79132	42
51827	129	76270	115	77717	26, 107	79206	28, 108
51828	129	76291	25, 43, 45	77723	68	79207	28, 108
51829	129	76293	44	77744	82	79208	28, 108
51830	129	76300	82, 114	77748	90	79209	29
51831	129	76321	84	77749	90	79214	15, 36, 104
51832	129	76323	40, 87	77760	82	79215	15, 39, 104
51833	129	76334	116	77769	23	79216	16, 38
51834	129	76340	90, 116	77772	19	79217	16, 36
51835	129	76346	85	77776	100	79218	16, 39
51836	129	76353	71, 77	77779	74	79222	49
51837	130	76354	95	77781	50	79223	49
51838	130	76356	25, 90, 94	77783	51	79236	48, 109
51839	130	76357	90, 94	77790	54	79265	68
52712	131	76358	110	77792	27	79267	57, 69
53600	130	76361	22, 23, 32, 106	77794	22, 106	79273	50, 65
53605	130	76363	17, 22, 23, 35, 57, 106	77798	54	79275	60, 62
54800	131	76364	23, 48	77823	86	79279	53, 54, 63
59705	40	76365	17, 19, 38	77853	23, 106	79282	46
59706	54	76366	19, 36	77865	72	79284	118
59709	25	76367	19, 39	77870	92	79285	118
59710	85	76368	33, 57, 60	77873	84	79293	28, 42, 43
68474	117	76372	111	77881	53	79294	118
68475	117	76374	26	77883	110	79295	118
68500	117	76375	68	77885	80	79304	82, 83
68501	117	76377	27, 49	77888	73	79305	83
68502	117	76378	90, 94	77890	73	79313	42, 90
70391	120	76380	27, 46	77892	91	79330	55, 57, 61, 62
70392	120	76382	101, 109	78657	110	79333	59, 60, 63
70432	123	76384	74, 78	78660	62	79343	43
70434	123	76386	100	78669	20,		
71321	122	76393	85	24, 26, 50, 51, 52, 53, 80, 111		79345	59, 66
71331	122	76394	70, 71, 72, 109	78911	119	79346	59, 66
71626	122	76396	89	78913	119	79348	58, 61, 62
71627	122	76492	25, 43	78921	119	79351	86, 87, 88
72978	120	76681	100	78923	119	79356	84
72988	120	76885	80, 81	78961	17, 60, 90	79360	35, 58, 91
74911	122	76888	73, 76	78965	44	79363	33, 58
74921	122	77329	122	79010	18, 39, 105	79368	100
74931	122	77336	121	79011	18, 37, 105	79375	35
76209	87	77337	121	79012	18, 38, 105	79408	72, 74, 75, 79, 114
76214	82, 114	77382	101, 109	79053	15, 16, 17, 18, 23,		
76216	26	77450	51, 66	26, 50, 51, 54, 55, 56, 57, 58, 71,		79411	72, 112
76226	51	77452	110	90, 91, 104, 105, 106, 107, 115		79415	112
76234	87	77454	70	79063	99	79419	120
76243	28	77455	70	79070	65	79430	86, 87, 88
76246	55	77466	89	79075	89	79434	120
76248	91	77491	71	79102	56, 74, 91	79453	93
						79492	65
						79528	70, 72, 76

## INDEX BY CODE

CODE	PAGE	CODE	PAGE	CODE	PAGE	CODE	PAGE
79529	70, 71, 76	88203	55	89278	55, 64	89681	80
79532	24, 33, 34	88213	57	89279	53, 54, 63	89682	107
79540	79	88223	86	89282	46	89684	50
79543	88	88233	61	89291	63	89685	52
79545	79, 81	88243	60	89293	42	89686	26
79551	75	88253	59	89301	32	89687	52
79582	97	88354	71	89304	82, 83	89701	15, 16, 17, 18, 19, 22, 23, 25, 26, 54, 58, 60, 61, 70, 71, 72, 73, 74, 75, 79, 80, 82, 90, 91, 104, 105, 106, 107, 114
79583	101	88373	60	89305	83	89714	97
79601	51, 110	88511	74	89311	33, 58	89715	98
79602	110	88521	74	89313	42, 90	89716	98
79603	15, 16, 17, 18, 19, 22, 23, 25, 26, 27, 54, 55, 56, 57, 58, 59, 60, 61, 71, 72, 73, 86, 90, 91, 104, 105, 106, 110	88551	75	89331	55, 57, 61, 62	89791	115
79692	29	88611	79	89343	43	89811	55, 113
79693	30	88621	79	89345	59, 66	89821	57, 59, 114
79694	41, 50, 51, 52	88673	20, 24, 26, 50, 51, 52, 53, 80, 111	89348	58, 61, 62	89945	82, 91, 115
79695	66	88760	17	89352	86, 87, 88	90002	120
79696	41	88762	15, 104	89353	40, 87	90012	51, 120
79697	113	88763	15, 104	89363	28, 43	90013	26, 82, 120
79699	42, 75	88764	16	89368	100	90016	120
79714	97	88765	16	89381	35, 58, 91	90019	120
79715	98	88767	17	89408	72, 74, 75, 79, 114	90042	120
79716	98	88900	20	89411	74, 112	90043	51, 120
79720	15, 16, 17, 18, 19, 22, 23, 25, 26, 54, 58, 60, 61, 70, 71, 72, 73, 74, 75, 79, 80, 82, 90, 91, 104, 105, 106, 107, 114	88901	20	89413	112	90046	120
79731	44, 74, 75	88902	24	89415	112	90049	120
79741	75, 107, 111	88904	24	89452	93	90112	119
79742	80, 81	88907	53	89471	98	90113	119
79744	85	88908	53	89492	65	90142	119
79745	26, 30	88908	53	89528	70, 72, 76	90143	119
79749	99	88909	52	89529	70, 71, 76	90363	121
79782	40	88910	51	89543	88	90373	121
79783	43, 80, 107	88911	75	89583	101	95113	122
79784	30	89010	88	89584	75, 112	95114	122
79787	20, 36	89048	91, 99	89601	51, 110	95123	122
79790	20, 24, 39	89053	15, 16, 17, 18, 23, 26, 50, 51, 54, 55, 56, 57, 58, 71, 90, 91, 104, 105, 106, 107, 115	89603	15, 16, 17, 18, 19, 22, 23, 25, 26, 27, 54, 55, 56, 57, 58, 59, 60, 61, 71, 72, 73, 86, 90, 91, 104, 105, 106, 110	95124	122
79945	82, 91, 115	89062	89	89632	75, 107, 111	95131	122
79970	51, 120	89070	65	89638	29	95221	122
79973	26, 82, 120	89101	53, 56, 60, 74, 82	89670	29	95224	122
79980	120	89204	81	89671	30	99294	118
79983	51, 120	89206	28, 108	89672	41, 50, 51, 52	99295	118
86357	90, 94	89207	28, 108	89673	52, 66	AR-0060	137
88100	18, 105	89208	28, 108	89674	41	AR-0060-BL	137
88103	18, 105	89209	29	89675	113	AR-0060-GN	137
88113	22	89236	48, 109	89676	43	AR-0060-RD	137
88183	59	89265	68	89677	42, 75	AR-000182NS	131
		89267	57, 69	89678	40	AR-0250	136
		89271	50, 65	89679	43, 80, 107	AR-0500	136
		89275	60, 62	89680	30	AR-0541	136
		89276	64				

## INDEX BY CODE

CODE	PAGE	CODE	PAGE	CODE	PAGE	CODE	PAGE
AR-0542	136	AR-35612	125	K791413	44	K797169	102
AR-0700	135	AR-63001NS	114	K792015	31, 94	K797215	77
AR-0904	136	AR-250101	126	K792031	31	K797310	44
AR-0910	136	AR-250103	126	K792032	32	K797316	42
AR-0911	136	AR-250103NS	126	K792033	31	K797320	42
AR-0951	136	AR-250103Y	126	K792034	31	K797321	42
AR-0952	136	AR-250104	126	K792035	31	K797322	42
AR-1000	136	AR-250104NS	126	K792036	31	K887603	20
AR-1115	136	AR-250401	126	K792130	38	K887621	21
AR-1200	116	AR-250401NS	126	K792245	47	K887623	21
AR-1219	136	AR-250502NS	126	K792246	47	K887625	21
AR-1336	134	AR-250504	126	K792610	29	K887626	22
AR-1336NS	134	AR-250802	126	K793043	83	K891022	40
AR-1416	136	AR-251104	127	K793050	84	K891023	40
AR-1500	136	AR-251104NS	127	K793053	84	K891024	40
AR-1622	136	AR-251104Y	127	K793210	63	K891025	40
AR-2500	136	AR-251104YNS	127	K793214	33	K891027	30
AR-3000	135	AR-251108	127	K793330	34	K892031	31
AR-003177	134	AR-251108NS	127	K793463	67	K892032	32
AR-003177NS	134	AR-251401	127	K793464	67	K892033	31
AR-003415NS	131	AR-251401NS	127	K793467	67	K892034	31
AR-6000	135	AR-251502	127	K793468	68	K892036	31
AR-8000	137	AR-251502NS	127	K793630	33	K892245	47
AR-9025	136	AR-251504NS	127	K793632	69	K892246	47
AR-9100	136	AR-251701	127	K793703	35	K892791	63
AR-9250	136	AR-260175NS	131	K794530	93	K893330	34
AR-9300	135	AR-400456	131	K795610	37	K893463	67
AR-25001	127	AR-400456NS	131	K795613	37	K893464	67
AR-25001NS	127	AR-4115175	134	K795614	37	K893467	67
AR-25011	127	AR-7304412	133	K795615	37	K893468	68
AR-25011NS	127	AR-77301371	132	K795616	37	K894530	93
AR-25500NS	132	AR-77301371NS	132	K795711	40	K897213	77
AR-26001	125	AR-GW2000CT	136	K795713	39	K897215	77
AR-26001NS	125	AR-LHCB01	125	K795714	39	K897312	44
AR-26002	125	AR-LHCB02	125	K795805	38, 107	K897320	42
AR-26002NS	125	AR-LHCBNS	125	K795809	38	K897321	42
AR-28502	114	K103502	110	K795830	102	K897322	42
AR-28503	114	K103600	110	K796011	110		
AR-28504	114	K763570	94	K796012	110		
AR-30802	126	K768550	80	K796019	110		
AR-30900NS	131	K790790	32	K796710	45		
AR-30920	132	K791021	44	K797064	102		
AR-30920NS	132	K791022	40	K797065	98		
AR-32200	132, 133	K791023	40	K797067	101		
AR-32200NS	132	K791024	40	K797160	101		
AR-35309	125	K791025	40	K797162	102		
AR-35409	125	K791026	40	K797165	102		
AR-35609	125	K791027	30	K797166	102		
AR-35609NS	125	K791412	35	K797167	103		





Halyard, now part of the Owens & Minor family, is focused on advancing health and healthcare by delivering clinically-superior infection prevention and surgical solutions. Halyard sells its recognised sterilisation wrap, facial protection, gloves, protective apparel, surgical drapes and gowns in more than 100 countries, and holds leading market positions across the portfolio. For more information, visit [www.halyardhealth.eu](http://www.halyardhealth.eu).

**Our  
Comittement  
to you**

**Better  
infection  
prevention**

For more information,  
please contact your O&M Halyard Customer Care Team:

**UK & IE (toll-free)**

**Tel: 0800 085 82 04 - Fax: 0800 066 91 06**  
[customerservice.uk.ie@owens-minor.com](mailto:customerservice.uk.ie@owens-minor.com)

**Other countries**

**Tel: +32 2 585 51 14 - Fax: +32 2 897 00 95**  
[customerservice.export@owens-minor.com](mailto:customerservice.export@owens-minor.com)



[www.halyardhealth.eu](http://www.halyardhealth.eu)

\*Registered Trademark or Trademark of O&M Halyard or its affiliates.  
©2018. All rights reserved. 008734 HC109-09 - EN GB