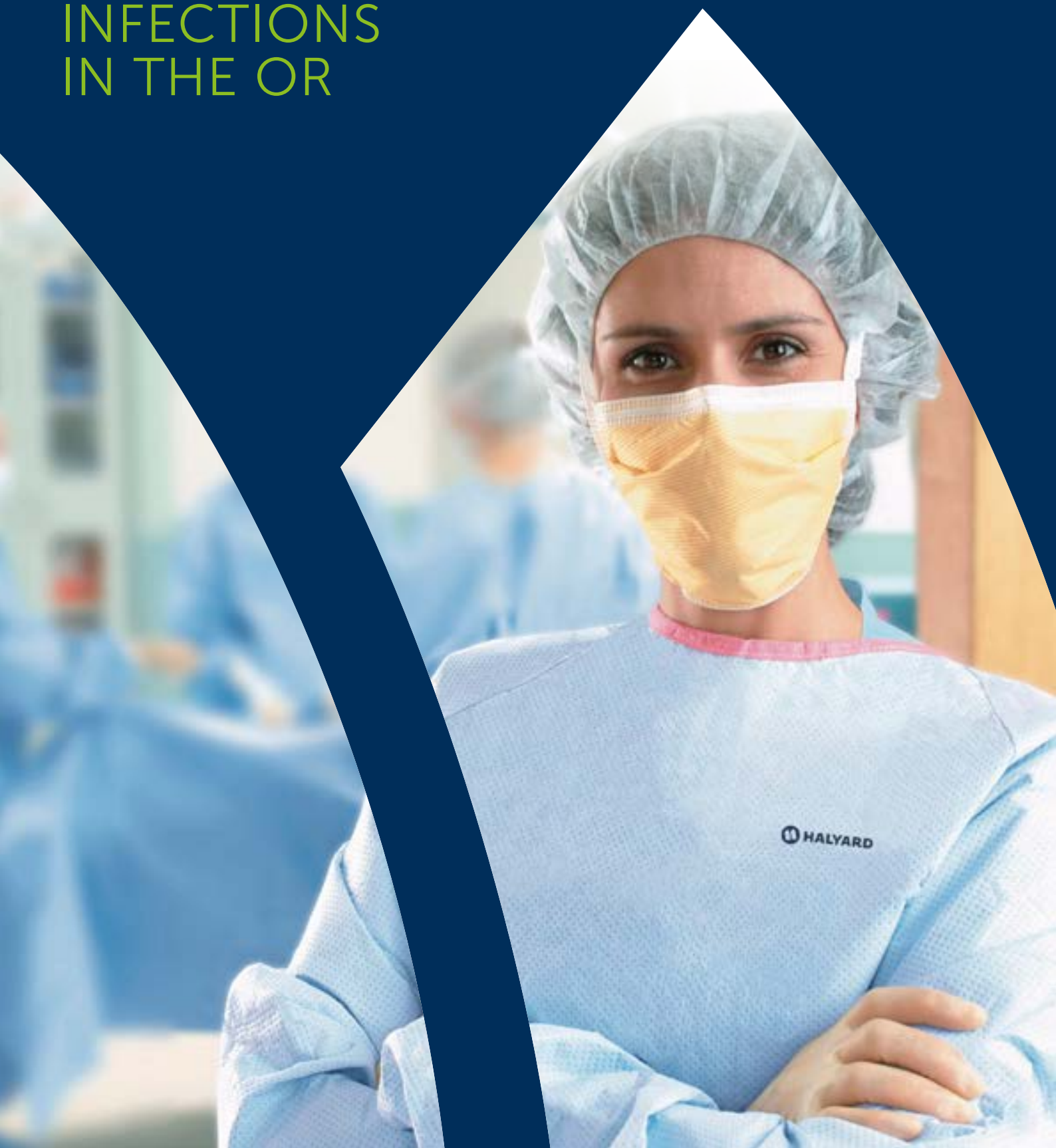
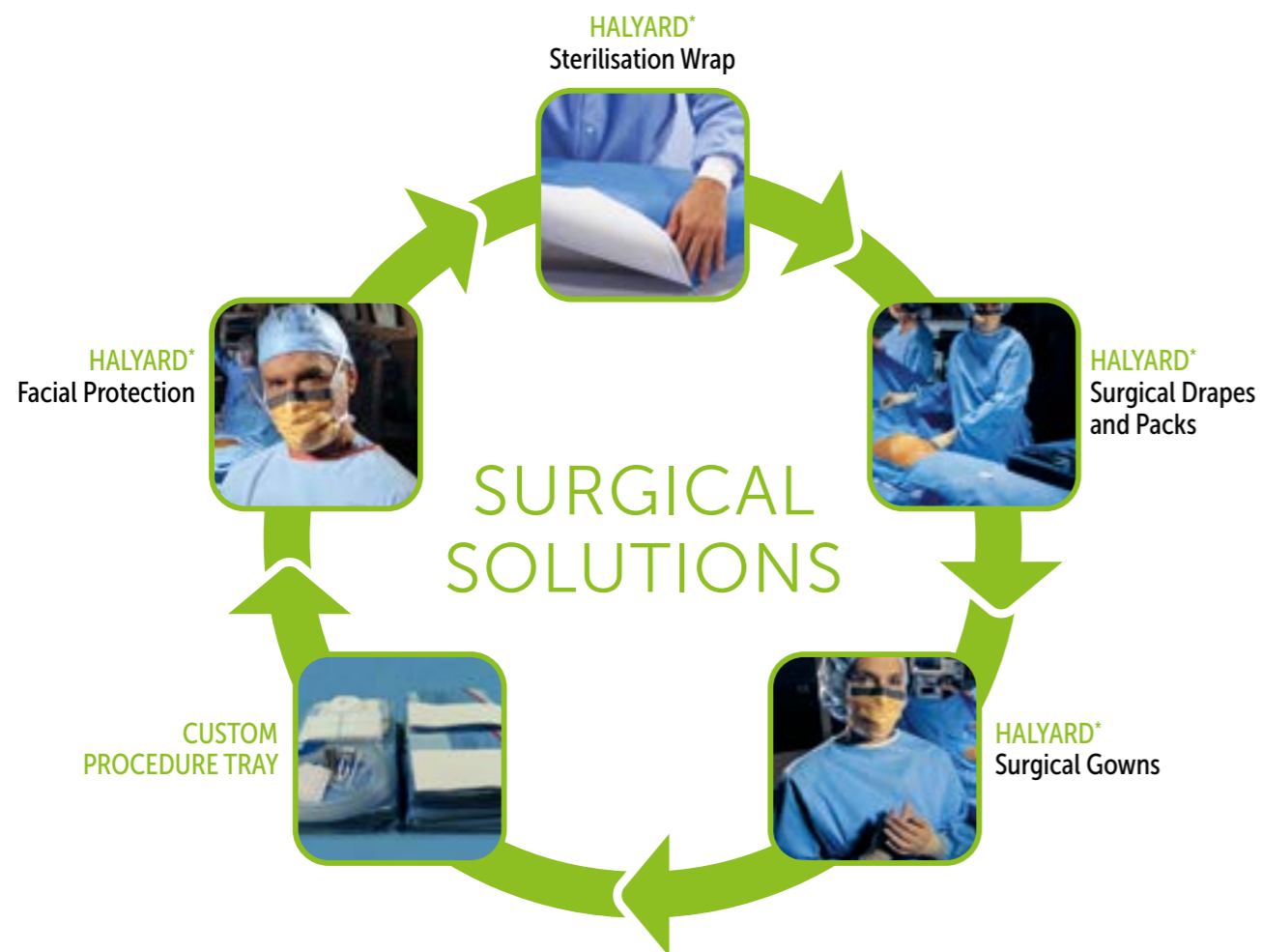


OUR EXPERTISE TO HELP
GUARD AGAINST
INFECTIONS
IN THE OR



SOLUTIONS FOR SURGICAL SITE INFECTIONS

O&M Halyard offers a comprehensive range of surgical solutions designed to help reduce surgical site infections ranging from Surgical Drapes & Gowns, Face Masks to Sterilisation Wrap.



DEPEND ON HALYARD EXPERTISE TO HELP GUARD AGAINST INFECTIONS IN THE OR

When you choose HALYARD* Surgical Gowns, Drapes & Packs, you can be assured that you are selecting products that use innovative fabric technology and design to provide excellent strike-through resistance along with comfort.

O&M Halyard is committed to providing quality products that help reduce the toll infections take on patients, clinicians and facilities, assisting you in delivering optimal patient care.

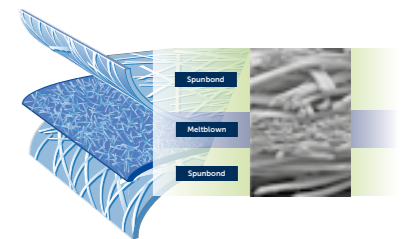
Because we are as serious as you are about preventing infection in the OR, we have expanded our surgical gown and drape portfolio into multiple performance levels, to bring you a wide choice of protection without compromise on quality.

The products referenced in this catalogue do not contain natural rubber latex, nor is this material intentionally added during the manufacturing process.

ADVANCED PROTECTION THROUGH SUPERIOR SMS

Halyard offers an extensive portfolio of Surgical Gowns, Drapes and Sterilisation Wrap based upon the HALYARD* SMS technology (Spunbond, Meltblown, Spunbond). SMS is made up of three layers of polypropylene:

- The Spunbond outer layers provide exceptional strength and durability
- The Meltblown middle layer provides an effective barrier to bacteria and liquids
- The material has a low lint level, helping reduce the risk of contamination in the OR



A WIDE PORTFOLIO OF GOWNS AND DRAPES DESIGNED TO OFFER THE RIGHT PROTECTION FOR DIFFERENT PROCEDURES

Cost-effective solution for standard performance & protection

- For short duration, low fluid-intensive procedures
- For low risk, day & general surgery (minor procedures)

Basic Surgical Gowns

- HALYARD BASICS* Standard gowns
- Standard SMS fabric

HALYARD BASICS* Surgical Drapes & Packs

- Flexible, easy-to-use designs
- Reinforcement

Best-value for enhanced performance & protection

- For low-to-moderate fluid-intensive procedures
- For low-to-moderate risk, general surgery

Standard Surgical Gowns

- EVOLUTION* 4 Standard gowns
- ULTRA Standard gowns
- EVOLUTION* 4 & ULTRA enhanced SMS fabric

Standard Surgical Drapes & Packs

- Wide selection for hundreds of different procedures
- CONTROL* Plus Reinforcement

TABLE OF CONTENTS

Cost-effective for high performance & protection

- For more fluid-intensive procedures
- For moderate-to-high risk, specialised surgery

Reinforced Surgical Gowns

- ULTRA fabric-reinforced gowns

Reinforced Surgical Drapes & Packs

- Including ORTHOARTS[®] and CVARTS[®] drapes
- CONTROL[®] Plus Reinforcement

Solution for high performance & perfection

- For long duration, high fluid-intensive procedures
- For complex, high risk specialised surgery

Protective Surgical Gowns

- AeroChrome[®]
- Cool Shield Core Technology, Aero Vent back
- Soft fabric S/F/SMS

HALYARD[®] CPTs ARE PROFESSIONALLY TAILORED TO HELP FIT YOUR NEEDS¹

PRECISE

From fully customised trays to excellent value trays with functional equivalent components that helps meet your specifications. Based on your vision, our team can also help with tray standardisation.

PROFESSIONAL

Assembled by CPT professionals at specialised CPT facilities, ensuring logical tray set-up and aseptic presentation in the OR.

PREFERRED

HALYARD[®] Drapes and Gowns deliver an excellent balance of properties to keep your staff and patients protected in the OR:

- Fluid resistance
- Flame resistance
- Lint and abrasion resistance



GENERAL SURGERY

GENERAL SURGERY PACKS	9
FENESTRATED DRAPES	22
GENERAL SURGERY DRAPES	23
U-DRAPES	26
BAR DRAPES	29
BOTTOM DRAPES	30
SIDE DRAPES	32
TOP DRAPES	33
ABSORBENT UNDERLEG DRAPES	34
SINGLE DRAPES	34
UTILITY DRAPES	36
LAPAROTOMY DRAPES	40
BREAST/CHEST DRAPES	42
THYROID DRAPES	42
LAPAROSCOPY DRAPES	43

ORTHOPAEDICS

ORTHOPAEDIC PACKS	44
ORTHOPAEDIC DRAPES	56
ORTHOARTS [®] SPLIT / BAR DRAPES	56
IMPERVIOUS SPLIT DRAPES	56
EXTREMITY DRAPES	57
LOWER EXTREMITY DRAPES	57
UPPER EXTREMITY DRAPES	59
SHOULDER DRAPES	60
HAND DRAPES	60
HIP DRAPES	61
VERTICAL ISOLATION DRAPES	62
KNEE ARTHROSCOPY DRAPES	62
UNIVERSAL SPINE DRAPES	63

¹ Not available for the UK market.

GYNAECOLOGY & OBSTETRICS	64
GYNAECOLOGY & OBSTETRICS PACKS	64
GYNAECOLOGY & OBSTETRICS DRAPES	70
GYNAECOLOGY/UROLOGY DRAPES	70
C-SECTION DRAPES	70
LITHOTOMY DRAPES	72
UROLOGY	73
UROLOGY PACKS	73
UROLOGY DRAPES	75
OPHTHALMOLOGY	76
OPHTHALMOLOGY PACKS	76
OPHTHALMOLOGY DRAPES	77
ENT	80
ENT PACKS	80
ENT DRAPES	82
ENT DRAPES	82
HEAD DRAPES	82
DENTAL DRAPES	82
NEUROLOGY	83
CRANIOTOMY DRAPES	83
CARDIOVASCULAR & ANGIOGRAPHY	84
CARDIOVASCULAR & ANGIOGRAPHY PACKS	84
CARDIOVASCULAR DRAPES	87
CARDIOVASCULAR & ANGIOGRAPHY DRAPES	88
ANGIOGRAPHY DRAPES	89

CATHETER PLACEMENT	95
CATHETER PLACEMENT DRAPES	95
PAEDIATRICS	96
PAEDIATRICS PACKS	96
PAEDIATRICS DRAPES	100
FENESTRATED DRAPES	100
BREAST/CHEST DRAPES	101
ANGIOGRAPHY DRAPES	101
BABY BLANKETS	101
EQUIPMENT COVERS	102
EQUIPMENT COVERS	102
MAYO STAND COVERS	102
STOOL COVERS	102
BACK TABLE COVERS	103
ACCESSORIES	104
ACCESSORIES	104
UNDER BUTTOCKS DRAPES	104
PERINEAL COVER DRAPES	105
IMPERVIOUS STOCKINETTES	105
ARMBOARD COVERS	106
LEGGINGS	106
TOWELS	106
TAPE STRIPS	107
SLEEVES	107
POUCHES	107
FOOT COVERS	108
MEDISHEETS	108
DISPENSER BOX	108

GENERAL SURGERY

GENERAL SURGERY PACKS

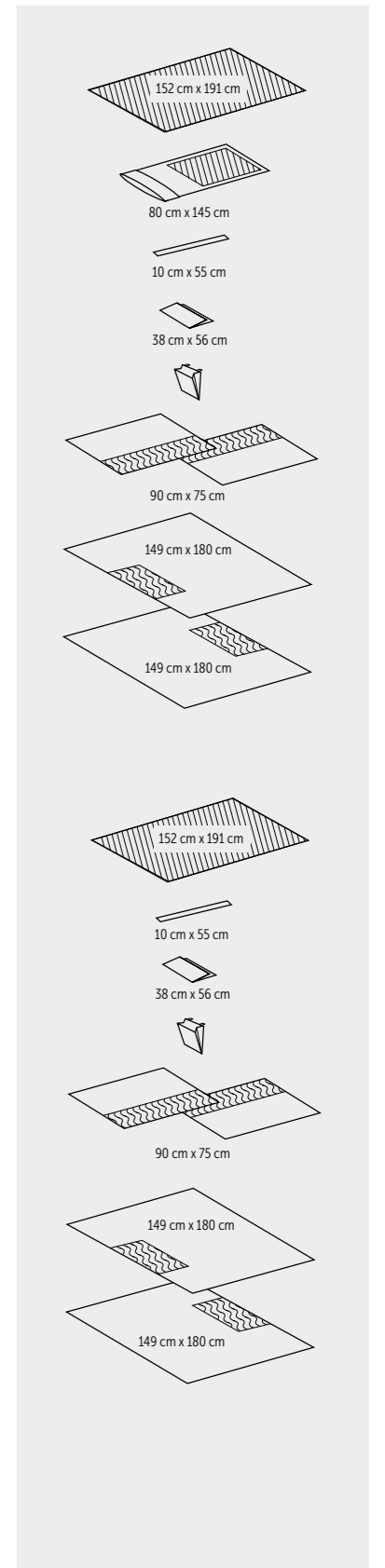
HALYARD BASICS*	110
HALYARD BASICS* SURGICAL GOWNS	110
EVOLUTION* 4	111
EVOLUTION* 4 SURGICAL GOWNS	111
ULTRA	113
ULTRA SURGICAL GOWNS	113
AERO CHROME*	116
AERO CHROME* SURGICAL GOWNS	116
OPERATING ROOM SAFETY PRODUCTS	117
SURGICAL PRODUCTS	117
LIGHT HANDLE COVERS	117
SAFETY PRODUCTS	118
NEEDLE COUNTERS	118
INSTRUMENT PADS	118
ENDOSCOPY, LAPAROSCOPY & ELECTROSURGICAL PRODUCTS	119
TEMPERATURE MANAGEMENT	120
HOLLOWARE MULTIPURPOSE BOWLS, BASINS AND TRAYS	121
INDEX BY CODE	124

UNIVERSAL PACK, SMALL

CODE	DESCRIPTION	ITEMS/CASE
88762	Universal Pack, Small, incl. Mayo Stand Cover	11
	STERILE	NON-STERILE
-	-	1 Sterilisation Wrap 96 x 96 cm
89603	79603	1 Mayo Stand Cover 80 x 145 cm
42222	42428	1 Back Table Cover, Reinforced 152 x 191 cm
89053	79053	1 Tape Strip 10 x 55 cm
89701	79720	1 Absorbent Towel 38 x 56 cm
-	-	1 Suture Bag
-	-	2 Side Drapes 90 x 75 cm:
		• Positioning Tape, 2.5 cm width
		• CONTROL [®] Fabric Reinforcement
-	79214	1 Bottom Drape 149 x 180 cm:
		• Positioning Tape, 2.5 cm width
		• CONTROL [®] Fabric Reinforcement
-	79215	1 Top Drape 149 x 180 cm:
		• Positioning Tape, 2.5 cm width
		• CONTROL [®] Fabric Reinforcement

UNIVERSAL PACK, SMALL

CODE	DESCRIPTION	ITEMS/CASE
88763	Universal Pack, Small, excl. Mayo Stand Cover	11
	STERILE	NON-STERILE
-	-	1 Sterilisation Wrap 96 x 96 cm
42222	42428	1 Back Table Cover, Reinforced 152 x 191 cm
89053	79053	1 Tape Strip 10 x 55 cm
89701	79720	1 Absorbent Towel 38 x 56 cm
-	-	1 Suture Bag
-	-	2 Side Drapes 90 x 75 cm:
		• Positioning Tape, 2.5 cm width
		• CONTROL [®] Fabric Reinforcement
-	79214	1 Bottom Drape 149 x 180 cm:
		• Positioning Tape, 2.5 cm width
		• CONTROL [®] Fabric Reinforcement
-	79215	1 Top Drape 149 x 180 cm:
		• Positioning Tape, 2.5 cm width
		• CONTROL [®] Fabric Reinforcement

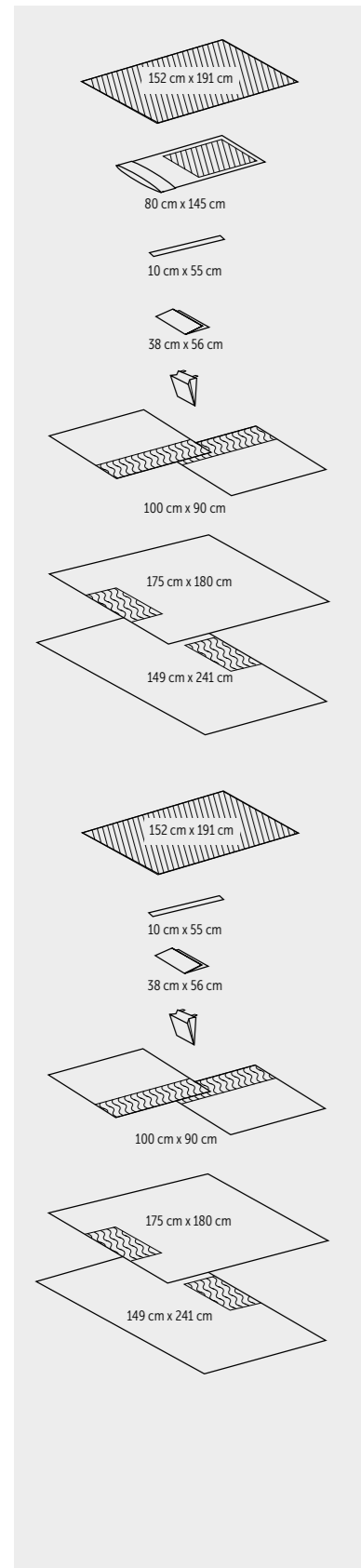


All codes in **bold** indicate a sterile product.

See Back Cover for Trademark Information

GENERAL SURGERY PACKS

GENERAL SURGERY PACKS



UNIVERSAL PACK, LARGE

CODE	DESCRIPTION	ITEMS/CASE
88764	Universal Pack, Large, incl. Mayo Stand Cover	10
STERILE	NON-STERILE	CONTENTS
-	-	1 Sterilisation Wrap 96 x 96 cm
89603	79603	1 Mayo Stand Cover 80 x 145 cm
42222	42428	1 Back Table Cover, Reinforced 152 x 191 cm
89053	79053	1 Tape Strip 10 x 55 cm
89701	79720	1 Absorbent Towel 38 x 56 cm
-	-	1 Suture Bag
-	79216	2 Side Drapes 100 x 90 cm: • Positioning Tape • CONTROL [®] Fabric Reinforcement
-	79217	1 Bottom Drape 175 x 180 cm: • Positioning Tape • CONTROL [®] Fabric Reinforcement
-	79218	1 Top Drape 149 x 241 cm: • Positioning Tape • CONTROL [®] Fabric Reinforcement

UNIVERSAL PACK, LARGE

CODE	DESCRIPTION	ITEMS/CASE
88765	Universal Pack, Large, excl. Mayo Stand Cover	10
STERILE	NON-STERILE	CONTENTS
-	-	1 Sterilisation Wrap 96 x 96 cm
42222	42428	1 Back Table Cover, Reinforced 152 x 191 cm
89053	79053	1 Tape Strip 10 x 55 cm
89701	79720	1 Absorbent Towel 38 x 56 cm
-	-	1 Suture Bag
-	79216	2 Side Drapes 100 x 90 cm: • Positioning Tape • CONTROL [®] Fabric Reinforcement
-	79217	1 Bottom Drape 175 x 180 cm: • Positioning Tape • CONTROL [®] Fabric Reinforcement
-	79218	1 Top Drape 149 x 241 cm: • Positioning Tape • CONTROL [®] Fabric Reinforcement

All codes in **bold** indicate a sterile product.

See Back Cover for Trademark Information

UNIVERSAL PACK PLUS

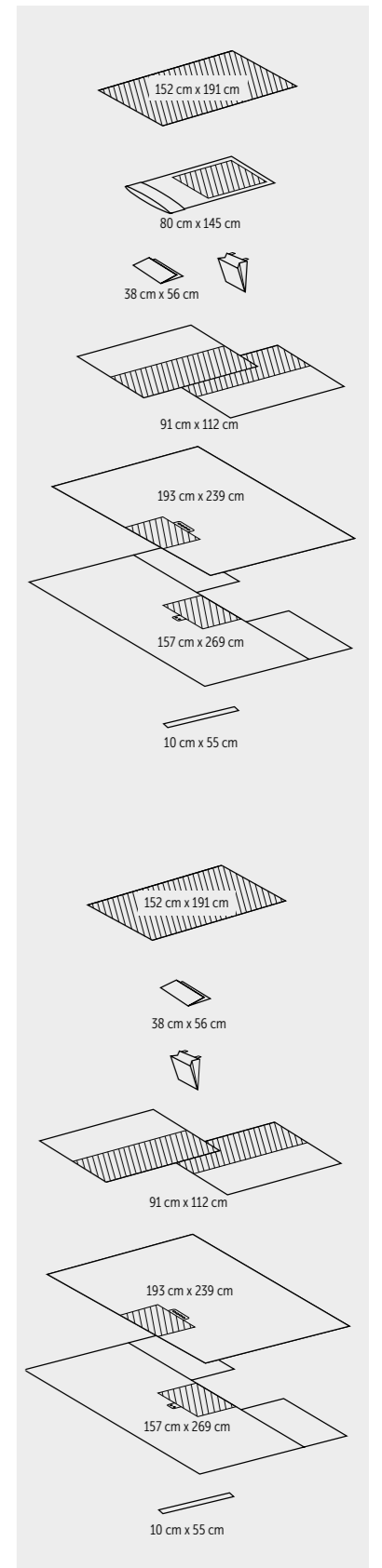
CODE	DESCRIPTION	ITEMS/CASE
88760	Universal Pack Plus, incl. Mayo Stand Cover	8
STERILE	NON-STERILE	CONTENTS
-	-	1 Sterilisation Wrap 89 x 89 cm
42222	42428	1 Back Table Cover, Reinforced 152 x 191 cm
89603	79603	1 Mayo Stand Cover 80 x 145 cm
89053	79053	1 Tape Strip 10 x 55 cm
89701	79720	1 Absorbent Towel 38 x 56 cm
-	-	1 Suture Bag
-	76365	2 Side Drapes 91 x 112 cm: • Positioning Tape • CONTROL [®] Plus Fabric Reinforcement
-	78961	1 Bottom Drape 193 x 239 cm: • Positioning Tape • CONTROL [®] Plus Fabric Reinforcement • Tube Holders
-	76363	1 Bar Drape 157 x 269 cm: • Armboard Covers • Positioning Tape • CONTROL [®] Plus Fabric Reinforcement • Tube Holders

UNIVERSAL PACK PLUS

CODE	DESCRIPTION	ITEMS/CASE
88767	Universal Pack Plus, excl. Mayo Stand Cover	9
STERILE	NON-STERILE	CONTENTS
-	-	1 Sterilisation Wrap 89 x 89 cm
42222	42428	1 Back Table Cover, Reinforced 152 x 191 cm
89053	79053	1 Tape Strip 10 x 55 cm
89701	79720	1 Absorbent Towel 38 x 56 cm
-	-	1 Suture Bag
-	76365	2 Side Drapes 91 x 112 cm: • Positioning Tape • CONTROL [®] Plus Fabric Reinforcement
-	78961	1 Bottom Drape 193 x 239 cm: • Positioning Tape • CONTROL [®] Plus Fabric Reinforcement • Tube Holders
-	76363	1 Bar Drape 157 x 269 cm: • Armboard Covers • Positioning Tape • CONTROL [®] Plus Fabric Reinforcement • Tube Holders

All codes in **bold** indicate a sterile product.

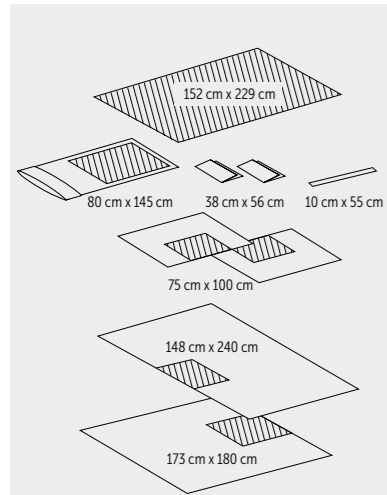
See Back Cover for Trademark Information



General Surgery Packs

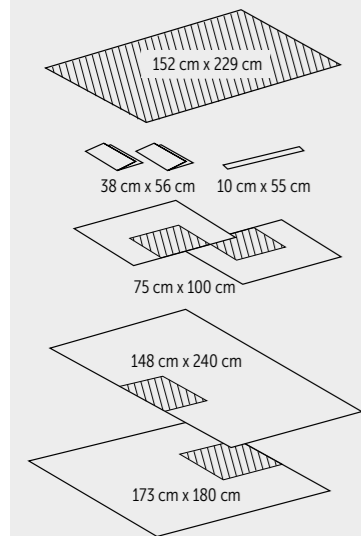
GENERAL SURGERY PACKS

GENERAL SURGERY PACKS



UNIVERSAL PACK

CODE	DESCRIPTION	ITEMS/CASE
88100	Universal Pack, incl. Mayo Stand Cover	12
STERILE	NON-STERILE	CONTENTS
42224	42451	1 Back Table Cover, Reinforced 152 x 229 cm
89603	79603	1 Mayo Stand Cover 80 x 145 cm
89053	79053	1 Tape Strip 10 x 55 cm
89701	79720	2 Absorbent Towels 38 x 56 cm
-	79012	2 Side Drapes 75 x 100 cm: • Positioning Tape • CONTROL [®] Plus Fabric Reinforcement
-	79011	1 Bottom Drape 173 x 180 cm: • Positioning Tape • CONTROL [®] Plus Fabric Reinforcement
-	79010	1 Top Drape 148 x 240 cm: • Positioning Tape • CONTROL [®] Plus Fabric Reinforcement



UNIVERSAL PACK

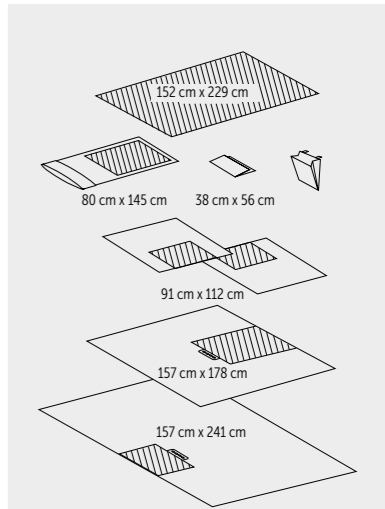
CODE	DESCRIPTION	ITEMS/CASE
88103	Universal Pack, excl. Mayo Stand Cover	12
STERILE	NON-STERILE	CONTENTS
-	-	1 Sterilisation Wrap 96 x 96 cm
42224	42451	1 Back Table Cover, Reinforced 152 x 229 cm
89053	79053	1 Tape Strip 10 x 55 cm
89701	79720	2 Absorbent Towels 38 x 56 cm
-	79012	2 Side Drapes 75 x 100 cm: • Positioning Tape • CONTROL [®] Plus Fabric Reinforcement
-	79011	1 Bottom Drape 173 x 180 cm: • Positioning Tape • CONTROL [®] Plus Fabric Reinforcement
-	79010	1 Top Drape 148 x 240 cm: • Positioning Tape • CONTROL [®] Plus Fabric Reinforcement

All codes in **bold** indicate a sterile product.

See Back Cover for Trademark Information

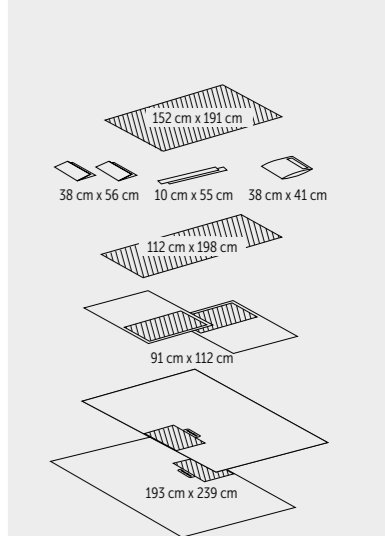
UNIVERSAL PACK IV

CODE	DESCRIPTION	ITEMS/CASE
7772	Universal Pack IV, incl. Mayo Stand Cover	8
STERILE	NON-STERILE	CONTENTS
-	-	1 Sterilisation Wrap 89 x 89 cm
-	42451	1 Back Table Cover, Reinforced 152 x 229 cm
89603	79603	1 Mayo Stand Cover 80 x 145 cm
89701	79720	1 Absorbent Towel 38 x 56 cm
-	-	1 Suture Bag
-	76365	2 Side Drapes 91 x 112 cm: • Positioning Tape • CONTROL [®] Plus Fabric Reinforcement
-	76366	1 Bottom Drape 157 x 178 cm: • Positioning Tape • CONTROL [®] Plus Fabric Reinforcement • Tube Holders
-	76367	1 Top Drape 157 x 241 cm: • Positioning Tape • CONTROL [®] Plus Fabric Reinforcement



UNIVERSAL PACK XI

CODE	DESCRIPTION	ITEMS/CASE
77880	Universal Pack XI, excl. Mayo Stand Cover	5
STERILE	NON-STERILE	CONTENTS
-	-	1 Sterilisation Wrap 96 x 96 cm
42222	42428	1 Back Table Cover, Reinforced 152 x 191 cm
89701	79720	2 Absorbent Towels 38 x 56 cm
89053	79053	2 Tape Strips 10 x 55 cm
89945	79945	1 Diathermy Pouch 38 x 41 cm
-	42447	1 Back Table Cover, Reinforced 112 x 198 cm
-	76365	2 Side Drapes 91 x 112 cm: • Positioning Tape • CONTROL [®] Plus Fabric Reinforcement
-	78961	1 Bottom Drape 193 x 239 cm: • Positioning Tape • CONTROL [®] Plus Fabric Reinforcement • Tube Holders
-	-	1 Top Drape 193 x 239 cm: • Positioning Tape • CONTROL [®] Plus Fabric Reinforcement • Tube Holders

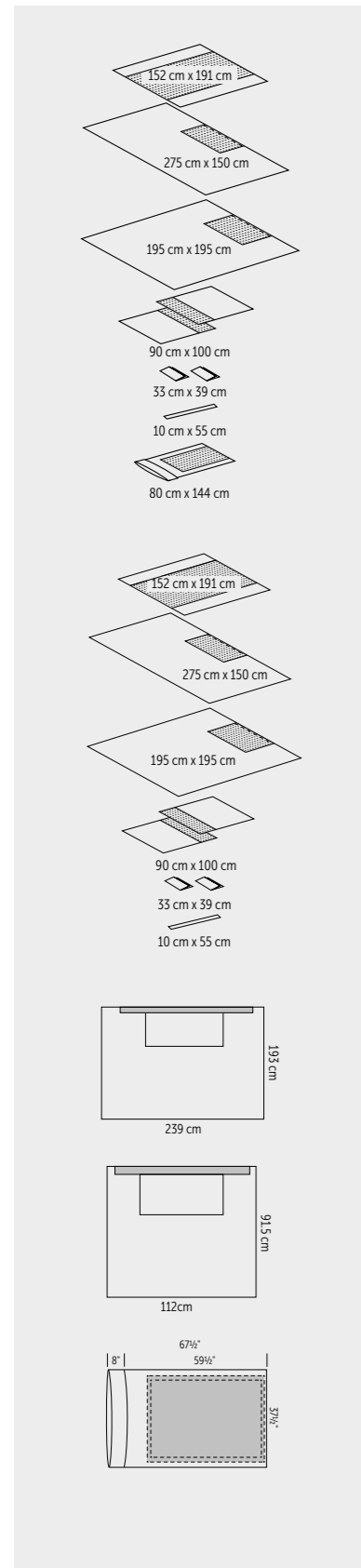


All codes in **bold** indicate a sterile product.

See Back Cover for Trademark Information

GENERAL SURGERY PACKS

GENERAL SURGERY PACKS



HALYARD BASICS* UNIVERSAL PACK I

CODE	DESCRIPTION	ITEMS/CASE
88900	HALYARD BASICS* Universal Pack I, incl. Mayo Stand Cover	5
STERILE	NON-STERILE	CONTENTS
88673	78669	1 Back Table Cover, Zone Reinforced 152 x 191 cm
47348	-	1 Mayo Stand Cover, Zone Reinforced 80 x 144 cm
-	79790	1 Top Drape 275 x 150 cm
-	79787	1 Bottom Drape 195 x 195 cm
-	-	2 Side Drapes 90 x 100 cm
-	-	1 Tape Strip 10 x 55 cm
-	-	2 Absorbent Towels 33 x 39 cm

HALYARD BASICS* UNIVERSAL PACK II

CODE	DESCRIPTION	ITEMS/CASE
88901	HALYARD BASICS* Universal Pack II, excl. Mayo Stand Cover	5
STERILE	NON-STERILE	CONTENTS
88673	78669	1 Back Table Cover, Zone Reinforced 152 x 191 cm
-	79790	1 Top Drape 275 x 150 cm
-	79787	1 Bottom Drape 195 x 195 cm
-	-	2 Side Drapes 90 x 100 cm
-	-	1 Tape Strip 10 x 55 cm
-	-	2 Absorbent Towels 33 x 39 cm

UNIVERSAL PACK

CODE	DESCRIPTION	ITEMS/CASE
K887603	Universal Pack, incl. Mayo Stand Cover	54
STERILE	NON-STERILE	CONTENTS
-	-	1 Mayo Stand Cover, 80 x 145 cm
-	-	1 Back Table Cover, 152 x 190 cm
-	-	2 Side Drapes 91 x 115 cm
-	-	• Positioning Tape
-	-	• CONTROL* Fabric Reinforcement 40.5 x 61 cm
-	-	2 Surgical Drapes 193 x 239 cm
-	-	• Positioning Tape
-	-	• CONTROL* Fabric Reinforcement 61 x 81 cm

All codes in **bold** indicate a sterile product.

See Back Cover for Trademark Information

UNIVERSAL PACK

CODE	DESCRIPTION	ITEMS/CASE
K887621	Universal Pack, Bi-laminated Fabric, Sterile	6
SIZE	DESCRIPTION	
152 x 254 cm	Top Drape -Positioning Tape	
90 x 90 cm	Outer Wrap	
152 x 191 cm	Back Table Cover	
76 x 89 cm	2 Side Drape -Positioning Tape	
196 x 196 cm	Bottom Drape -Positioning Tape	
10 x 51 cm	ISO-SEAL__Drape Tape	
43 x 51 cm	Absorbent Towel	

UNIVERSAL PACK WITH MAYO STAND COVER

CODE	DESCRIPTION	ITEMS/CASE
K887625	Universal Pack, incl. Mayo Stand Cover, Bi-laminated, Sterile	6
SIZE	DESCRIPTION	
152 x 254 cm	Top Drape -Positioning Tape	
75 x 127 cm	Mayo Stand Cover	
90 x 90 cm	Outer Wrap	
152 x 191 cm	Back Table Cover	
76 x 89 cm	2 Side Drape -Positioning Tape	
196 x 196 cm	Bottom Drape -Positioning Tape	
10 x 51 cm	ISO-SEAL Drape Tape	
43 x 51 cm	Absorbent Towel	

UNIVERSAL PACK WITH LARGE TOP DRAPE

CODE	DESCRIPTION	ITEMS/CASE
K887623	Universal Pack, Top Drape L, Bi-laminated Fabric, Sterile	6
SIZE	DESCRIPTION	
176 x 300 cm	Top Drape -Positioning Tape	
90 x 90 cm	Outer Wrap	
152 x 191 cm	Back Table Cover	
76 x 89 cm	2 Side Drape -Positioning Tape	
196 x 196 cm	Bottom Drape -Positioning Tape	
10 x 51 cm	ISO-SEAL Drape Tape	
43 x 51 cm	Absorbent Towel	

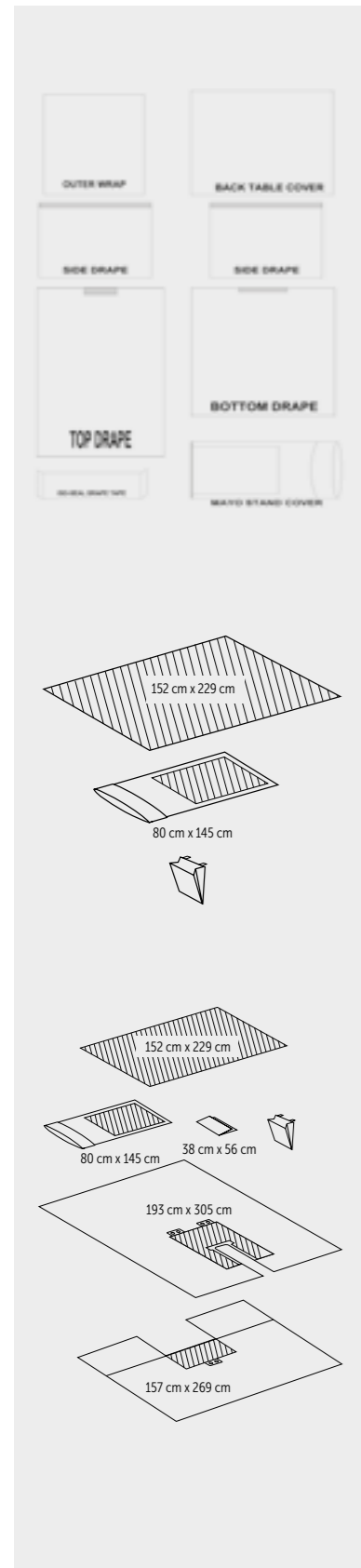
All codes in **bold** indicate a sterile product.

See Back Cover for Trademark Information



GENERAL SURGERY PACKS

GENERAL SURGERY PACKS



UNIVERSAL PACK WITH MAYO STAND COVER AND LARGE TOP DRAPE

CODE	DESCRIPTION	ITEMS/CASE
K887626	Universal Pack, incl. Mayo Stand Cover, Top Drape L, Bi-laminated Fabric, Sterile	6
SIZE	DESCRIPTION	
175 x 300 cm	Top Drape -Positioning Tape	
80 x 127 cm	Mayo Stand Cover	
90 x 90 cm	Outer Wrap	
152 x 191 cm	Back Table Cover	
76 x 89 cm	2 Side Drape -Positioning Tape	
196 x 196 cm	Bottom Drape -Positioning Tape	
10 x 51 cm	ISO-SEAL Drape Tape	
43 x 51 cm	Absorbent Towel	

BASIC PACK VIII

CODE	DESCRIPTION	ITEMS/CASE
88113	Basic Pack VIII	24
STERILE	NON-STERILE	CONTENTS
42224	42451	1 Back Table Cover, Reinforced 152 x 229 cm
89603	79603	1 Mayo Stand Cover 80 x 145 cm
-	-	1 Suture Bag

U-BAR* PACK VI

CODE	DESCRIPTION	ITEMS/CASE
77794	U-BAR* Pack VI	9
STERILE	NON-STERILE	CONTENTS
-	-	1 Sterilisation Wrap 96 x 96 cm
-	42451	1 Back Table Cover, Reinforced 152 x 229 cm
89603	79603	1 Mayo Stand Cover 80 x 145 cm
89701	79720	1 Absorbent Towel 38 x 56 cm
-	-	1 Suture Bag
-	76361	1 U-Drape 193 x 305 cm: <ul style="list-style-type: none"> • Split 10 x 101 cm • Positioning Tape • CONTROL* Plus Fabric Reinforcement • Tube Holders
-	76363	1 Bar Drape 157 x 269 cm: <ul style="list-style-type: none"> • Armboard Covers • Positioning Tape • CONTROL* Plus Fabric Reinforcement • Tube Holders

All codes in **bold** indicate a sterile product.

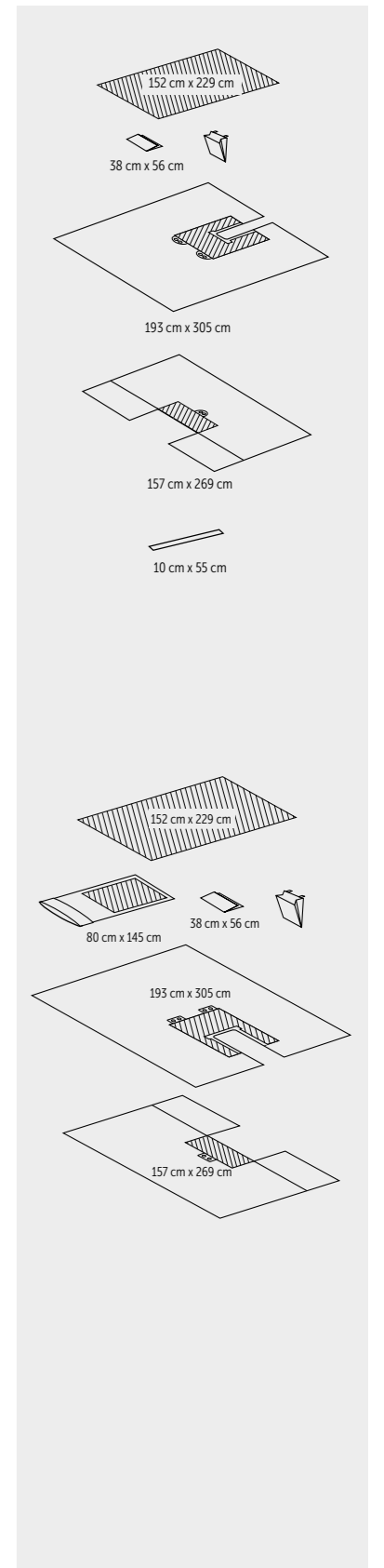
U-BAR* PACK

CODE	DESCRIPTION	ITEMS/CASE
77853	U-BAR* Pack	10
STERILE	NON-STERILE	CONTENTS
-	-	1 Sterilisation Wrap 89 x 89 cm
-	42451	1 Back Table Cover, Reinforced 152 x 229 cm
89701	79720	1 Absorbent Towel 38 x 56 cm
-	-	1 Suture Bag
-	76361	1 U-Drape 193 x 305 cm: <ul style="list-style-type: none"> • Split 10 x 101 cm • Positioning Tape • CONTROL* Plus Fabric Reinforcement • Tube Holders
-	76363	1 Bar Drape 157 x 269 cm: <ul style="list-style-type: none"> • Armboard Covers • Positioning Tape • CONTROL* Plus Fabric Reinforcement • Tube Holders
89053	79053	1 Tape Strip 10 x 55 cm

U-BAR* PACK VII

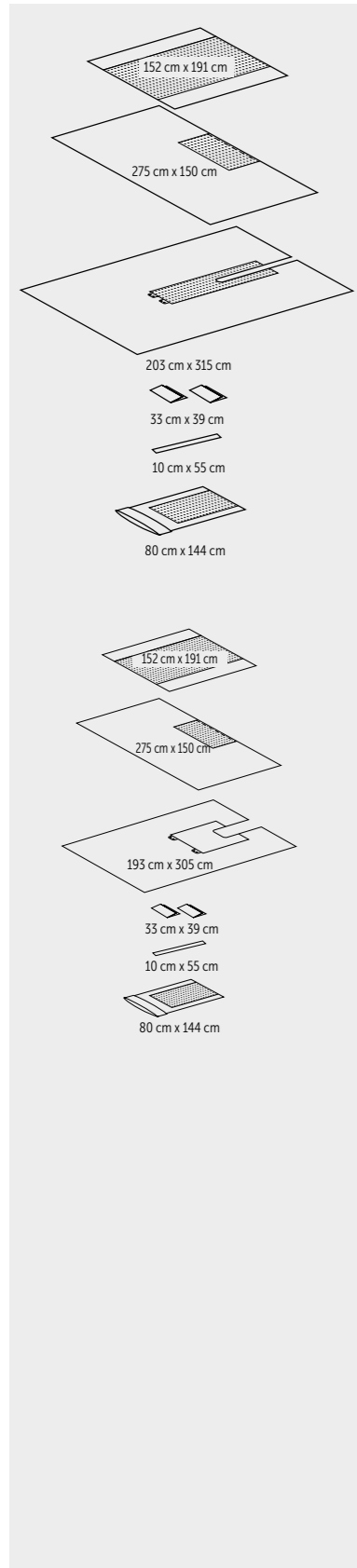
CODE	DESCRIPTION	ITEMS/CASE
77769	U-BAR* Pack VII	10
STERILE	NON-STERILE	CONTENTS
-	-	1 Sterilisation Wrap 89 x 89 cm
-	42451	1 Back Table Cover, Reinforced 152 x 229 cm
89603	79603	1 Mayo Stand Cover 80 x 145 cm
89701	79720	1 Absorbent Towel 38 x 56 cm
-	-	1 Suture Bag
-	76364	1 Breast/Chest U-Drape 193 x 305 cm: <ul style="list-style-type: none"> • Split 30 x 76 cm • Positioning Tape • CONTROL* Plus Fabric Reinforcement • Tube Holders
-	76363	1 Bar Drape 157 x 269 cm: <ul style="list-style-type: none"> • Armboard Covers • Positioning Tape • CONTROL* Plus Fabric Reinforcement • Tube Holders

All codes in **bold** indicate a sterile product.



GENERAL SURGERY PACKS

GENERAL SURGERY PACKS



HALYARD BASICS* U-BAR* PACK I

CODE	DESCRIPTION		ITEMS/CASE
88902	HALYARD BASICS* U-BAR* Pack I		10
	STERILE	NON-STERILE	CONTENTS
88673		78669	1 Back Table Cover, Zone Reinforced 152 x 191 cm
47348		-	1 Mayo Stand Cover, Zone Reinforced 80 x 144 cm
-		79790	1 Top Drape 275 x 150 cm
-		79532	1 U-Drape 203 x 315 cm: • Split 10 x 112 cm
-		-	1 Tape Strip 10 x 55 cm
-		-	2 Absorbent Towels 33 x 39 cm

HALYARD BASICS* U-BAR* PACK III

CODE	DESCRIPTION		ITEMS/CASE
88904	HALYARD BASICS* U-BAR* Pack III		10
	STERILE	NON-STERILE	CONTENTS
88673		78669	1 Back Table Cover, Zone Reinforced 152 x 191 cm
47348		-	1 Mayo Stand Cover, Zone Reinforced 80 x 144 cm
-		79790	1 Top Drape 275 x 150 cm
-		-	1 Breast and Chest U-Drape 193 x 305 cm: • Split 30 x 76 cm
-		-	1 Tape Strip 10 x 55 cm
-		-	2 Absorbent Towels 33 x 39 cm

All codes in **bold** indicate a sterile product.

See Back Cover for Trademark Information

VEIN STRIPPING PACK

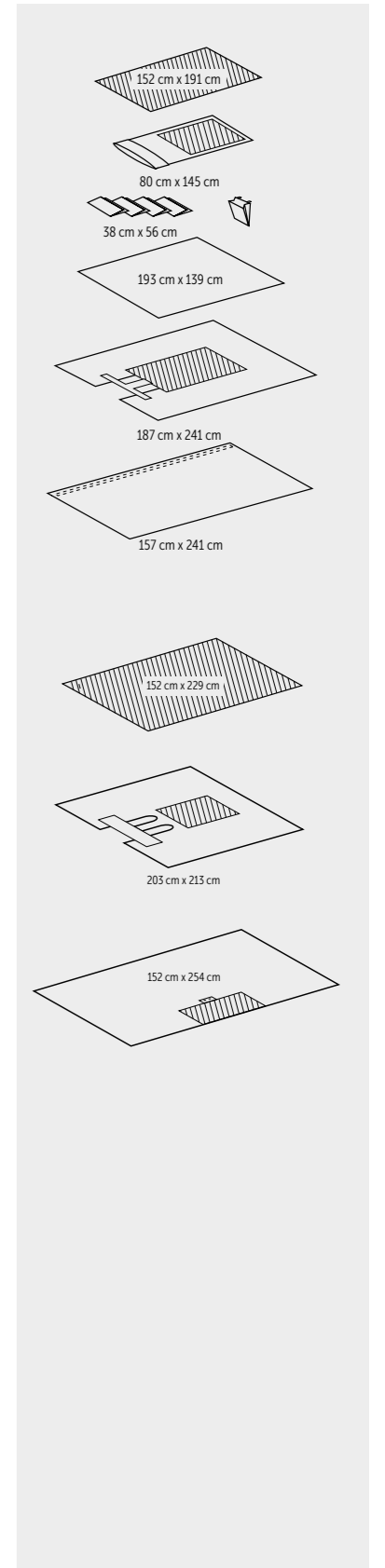
CODE	DESCRIPTION		ITEMS/CASE
59709	Vein Stripping Pack		5
	STERILE	NON-STERILE	CONTENTS
42222		42428	1 Back Table Cover, Reinforced 152 x 191 cm
89603		79603	1 Mayo Stand Cover 80 x 145 cm
89701		79720	4 Absorbent Towels 38 x 56 cm
-		-	1 Suture Bag
47622		47623	1 Large Drape 193 x 139 cm
-		76356	1 Perineal Drape 187 x 241 cm: • Split 44 x 95 cm • Positioning Tape
76291		76492	1 Drape with Tape 157 x 241 cm

BILATERAL VEIN STRIPPING PACK

CODE	DESCRIPTION		ITEMS/CASE
77780	Bilateral Vein Stripping Pack		12
	STERILE	NON-STERILE	CONTENTS
-		-	1 Sterilisation Wrap 89 x 89 cm
-		42451	1 Back Table Cover, Reinforced 152 x 229 cm
89381		79360	1 Ortho Bar Drape 152 x 254 cm • CONTROL* Plus Fabric Reinforcement • Tube Holders
-		79453	1 Perineal Underleg Drape 203 x 213 cm • CONTROL* Plus Fabric Reinforcement • Impermeable PE-film • Impermeable Perineal Cover • Umbilical Cover • Positioning Tape

All codes in **bold** indicate a sterile product.

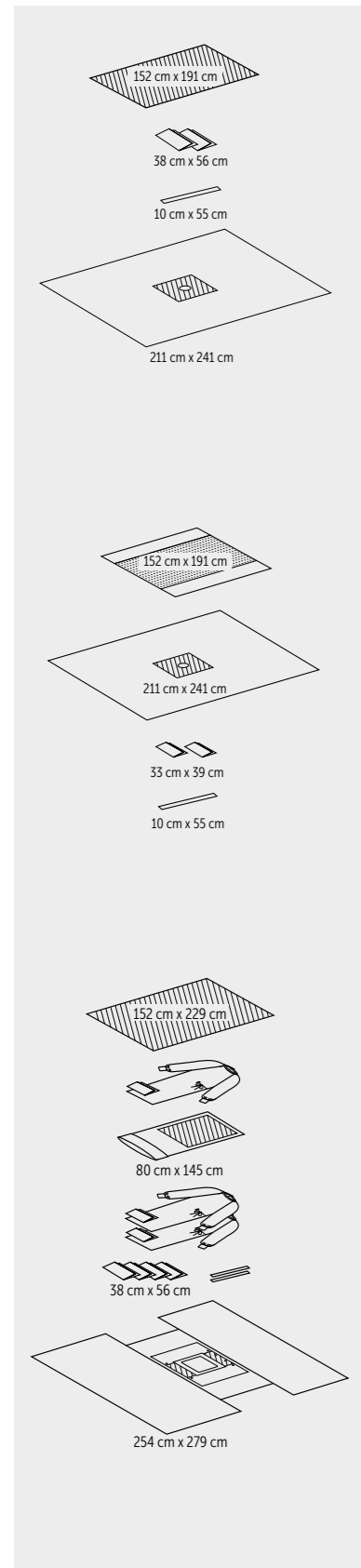
See Back Cover for Trademark Information



General Surgery Packs

GENERAL SURGERY PACKS

GENERAL SURGERY PACKS



SMALL PROCEDURE PACK II

CODE	DESCRIPTION	ITEMS/CASE
7717	Small Procedure Pack II	10
	STERILE	NON-STERILE
-	-	1 Sterilisation Wrap 89 x 89 cm
42222	42428	1 Back Table Cover, Reinforced 152 x 191 cm
-	-	1 Fenestrated Drape 211 x 241 cm: <ul style="list-style-type: none"> • Circular Fenestration 12 cm, centered • CONTROL[®] Plus Fabric Reinforcement
89701	79720	2 Absorbent Towels 38 x 56 cm
89053	79053	1 Tape Strip 10 x 55 cm

HALYARD BASICS* SMALL PROCEDURE PACK II

CODE	DESCRIPTION	ITEMS/CASE
89686	HALYARD BASICS* Small Procedure Pack II	10
	STERILE	NON-STERILE
88673	78669	1 Back Table Cover, Zone Reinforced 152 x 191 cm
-	79745	1 Fenestrated Drape 211 x 241 cm: <ul style="list-style-type: none"> • Circular Fenestration 12 cm, centered • Absorbent Reinforcement
-	-	1 Tape Strip 10 x 55 cm
-	-	2 Absorbent Towels 33 x 39 cm

LAPAROSCOPY PACK

CODE	DESCRIPTION	ITEMS/CASE
76216	Laparoscopy pack	6
	STERILE	NON-STERILE
-	-	1 Sterilisation Wrap 63 x 63 cm
42224	42451	1 Back Table Cover, Reinforced 152 x 229 cm
89603	79603	1 Mayo Stand Cover 80 x 145 cm
90013	79973	3 Surgical Gowns, Large, X-long
89701	79720	7 Absorbent Towels 38 x 56 cm
-	-	2 Iso-Seal Tape Strips 12 x 59 cm
-	76374	1 Laparoscopy Drape with Attached Leggings 254 x 177 x 279 cm <ul style="list-style-type: none"> • 2 Pockets 27 x 71 cm • Abdominal Fenestration 30 x 33 cm • Positioning Tape

All codes in **bold** indicate a sterile product.

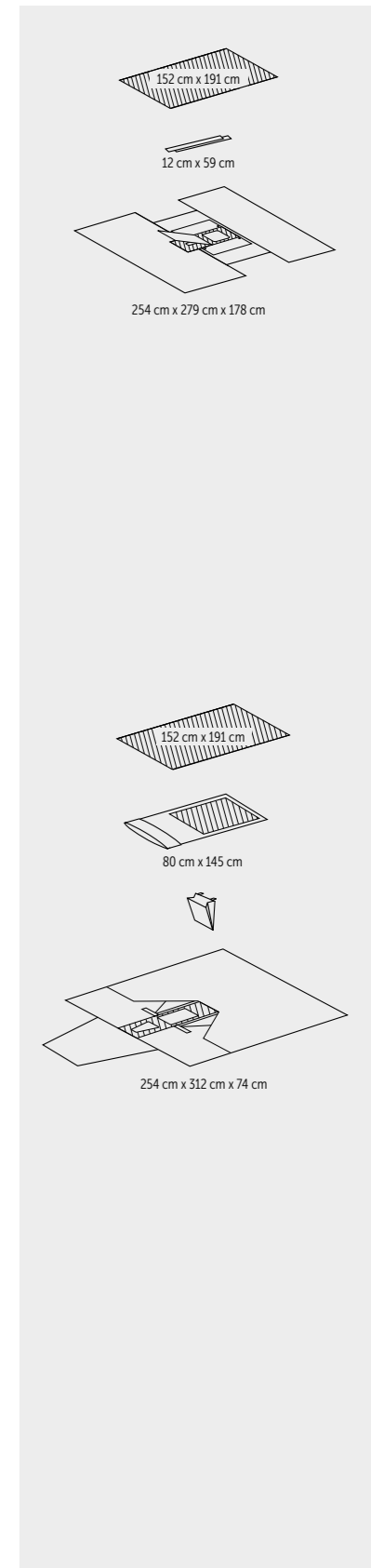
See Back Cover for Trademark Information

UNIVERSAL LAPAROSCOPY / PELVISCOPY PACK WITH SIDE POCKETS

CODE	DESCRIPTION	ITEMS/CASE
76263	Universal Laparoscopy / Pelviscopy Pack	8
	STERILE	NON-STERILE
-	-	1 Sterilisation Wrap 89 x 89 cm
42222	42428	1 Back Table Cover, Reinforced 152 x 191 cm
-	76377	1 Laparoscopy Drape with Attached Leggings 254 x 279 x 178 cm and side pouches 28 x 58 cm: <ul style="list-style-type: none"> • Abdominal Fenestration (30 x 33 cm) with 5 cm Tape Width • Perineal Fenestration (22 x 10 cm) with 2.5 cm Tape Width • CONTROL[®] Plus Fabric Reinforcement • With Flap over both Fenestrations
-	-	2 Iso-Seal Tape Strips 12 x 59 cm

LAPAROSCOPY PELVISCOPY PACK V

CODE	DESCRIPTION	ITEMS/CASE
77792	Laparoscopy Pelviscopy Pack V	6
	STERILE	NON-STERILE
-	-	1 Sterilisation Wrap 89 x 89 cm
42222	42428	1 Back Table Cover, Reinforced 152 x 191 cm
89603	79603	1 Mayo Stand Cover 80 x 145 cm
-	-	1 Suture Bag
-	76380	1 Laparoscopy Drape 254 x 312 x 74 cm, with Attached Leggings: <ul style="list-style-type: none"> • 23 x 28 cm Abdominal Fenestration • 7.6 x 18 cm Trapezoidal Perineal Fenestration with Flap • Positioning Tape on both Fenestrations • Tube Holders • CONTROL[®] Fabric Reinforcement



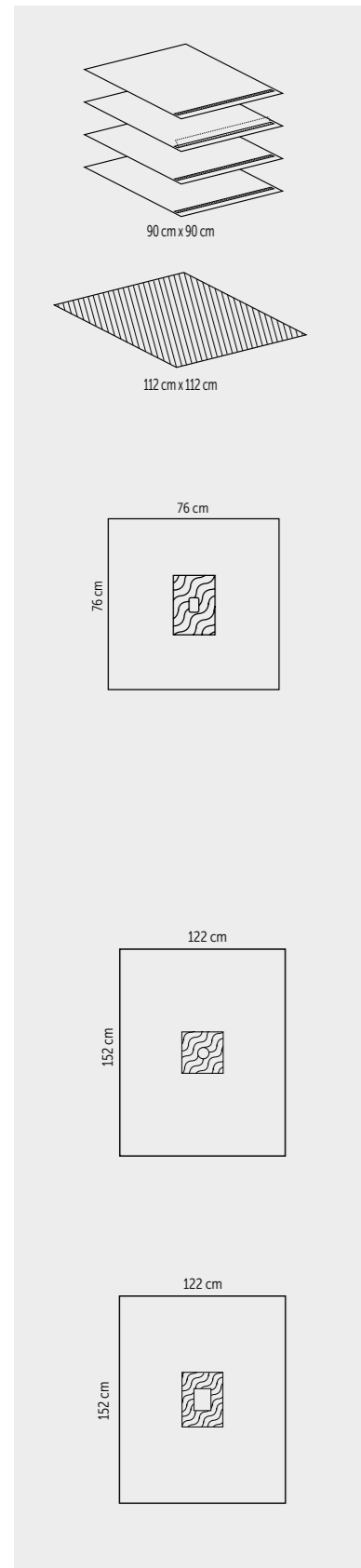
All codes in **bold** indicate a sterile product.

See Back Cover for Trademark Information

General Surgery Packs

GENERAL SURGERY DRAPES

GENERAL SURGERY DRAPES



SMALL SURGICAL DRAPE PACK

CODE	DESCRIPTION	ITEMS/CASE
76243	Small Surgical Drape Pack	25
STERILE	NON-STERILE	CONTENTS
-	-	1 Sterilisation Wrap 89 x 89 cm
-	42446	1 Back Table Cover, Reinforced 112 x 112 cm
89363	79293	4 Utility Drapes 90 x 90 cm

FENESTRATED DRAPES

MINOR PROCEDURE FENESTRATED DRAPE, 76 X 76 CM

- Fenestration 3 x 5 cm
- CONTROL* Fabric Reinforcement 12 x 20 cm
- Positioning Tape

CODE	DESCRIPTION	ITEMS/CASE	ITEMS/DISPENSER	DISPENSERS/CASE
89206	Minor Procedure Fenestrated Drape, Sterile	100	25 x 4	4
79206	Minor Procedure Fenestrated Drape, Non-Sterile	250	-	-

MINOR PROCEDURE FENESTRATED DRAPE, 122 X 152 CM

- Fenestration (Diameter 7 cm)
- CONTROL* Fabric Reinforcement 31 x 31 cm
- Positioning Tape

CODE	DESCRIPTION	ITEMS/CASE
89207	Minor Procedure Fenestrated Drape, Sterile	40
79207	Minor Procedure Fenestrated Drape, Non-Sterile	60

MINOR PROCEDURE FENESTRATED DRAPE, 122 X 152 CM

- Fenestration 12 x 15 cm
- CONTROL* Fabric Reinforcement 41 x 31 cm
- Positioning Tape

CODE	DESCRIPTION	ITEMS/CASE
89208	Minor Procedure Fenestrated Drape, Sterile	40
79208	Minor Procedure Fenestrated Drape, Non-Sterile	60

All codes in **bold** indicate a sterile product.

MINOR PROCEDURE FENESTRATED DRAPE, 193 X 315 CM

- Fenestration 15 x 15 cm
- CONTROL* Fabric Reinforcement 51 x 67 cm
- Positioning Tape

CODE	DESCRIPTION	ITEMS/CASE
89209	Minor Procedure Fenestrated Drape, Sterile	19
79209	Minor Procedure Fenestrated Drape, Non-Sterile	23

MINOR PROCEDURE FENESTRATED DRAPE, 119 X 152 CM

- SMS
- Fenestration 12 x 15 cm
- CONTROL* Plus Fabric Reinforcement 30 x 40 cm

CODE	DESCRIPTION	ITEMS/CASE
K792610	Minor Procedure Fenestrated Drape, Non-Sterile	60

HALYARD BASICS* EPIDURAL DRAPE WITH TAPE, 50 X 75 CM

- Oval Fenestration 8 x 10 cm, centered
- Spunbond Film
- Lateral Tape 50 x 2.5 cm
- Tape around Fenestration
- Positioning Tape

CODE	DESCRIPTION	ITEMS/CASE
14364	HALYARD BASICS* Epidural Drape with Tape, Sterile	40
14365	HALYARD BASICS* Epidural Drape with Tape, Non-Sterile	160

HALYARD BASICS* FENESTRATED DRAPE, 75 X 75 CM

- Oval Fenestration 7 x 10 cm, centered
- Spunbond Film

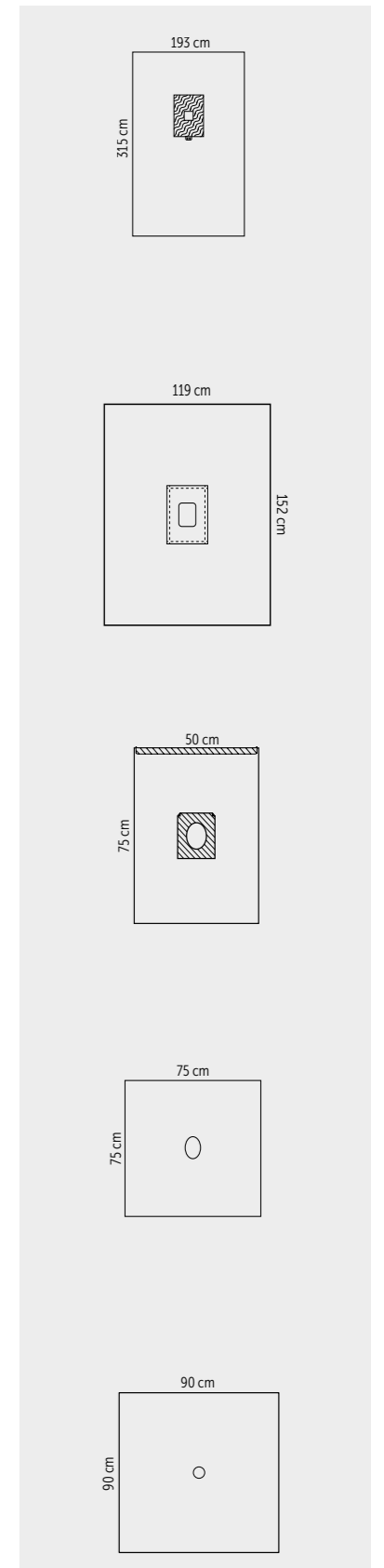
CODE	DESCRIPTION	ITEMS/CASE
89638	HALYARD BASICS* Fenestrated Drape, Sterile	35

HALYARD BASICS* FENESTRATED DRAPE, 90 X 90 CM

- Circular Fenestration 10 cm, centered
- Spunbond Film

CODE	DESCRIPTION	ITEMS/CASE
89670	HALYARD BASICS* Fenestrated Drape, Sterile	30
79692	HALYARD BASICS* Fenestrated Drape, Non-Sterile	120

All codes in **bold** indicate a sterile product.



GENERAL SURGERY DRAPES

GENERAL SURGERY DRAPES

SMALL FENESTRATED DRAPE

- 40GSM Bi-Laminated
- Circular Fenestration 5cm

CODE	SIZE	ITEMS/CASE
K891027	50x60cm	400
K791027	70x60cm	470

HALYARD BASICS* FENESTRATED DRAPE WITH TAPE, 90 X 90 CM

- Circular Fenestration 10 cm, centered
- Spunbond Film
- Positioning Tape

CODE	DESCRIPTION	ITEMS/CASE
89671	HALYARD BASICS* Fenestrated Drape with Tape, Sterile	30
79693	HALYARD BASICS* Fenestrated Drape with Tape, Non-Sterile	50

HALYARD BASICS* VARIABLE FENESTRATED DRAPE WITH TAPE, 75 X 100 CM

- Variable Fenestration: half circle on each drape
- Spunbond Film
- Positioning Tape

CODE	DESCRIPTION	ITEMS/CASE
89680	HALYARD BASICS* Variable Fenestrated Drape with Tape, Sterile	30
79784	HALYARD BASICS* Variable Fenestrated Drape with Tape, Non-Sterile	120

HALYARD BASICS* FENESTRATED DRAPE, 211 X 241 CM

- Circular Fenestration 12 cm, centered, with Positioning Tape
- SMS
- Absorbent Reinforcement

CODE	DESCRIPTION	ITEMS/CASE
79745	HALYARD BASICS* Fenestrated Drape, Non-Sterile	30

VARIABLE FENESTRATED ABSORBENT DRAPE

- 40GSM Bi-Laminated
- Fenestration 1&2 4x6cm
- Positioning tape

CODE	SIZE	ITEMS/CASE
K892031	45x75cm per half	140
K792031	45x75cm per half	1700

FENESTRATED DRAPE, 68 X 68 CM

- SMS
- Circular Fenestration 18 cm, centered
- CONTROL* Fabric Reinforcement 30 x 30 cm

CODE	DESCRIPTION	ITEMS/CASE
K792015	Fenestrated Drape, Non-Sterile	180

ABSORBENT FENESTRATED DRAPE

- 40GSM Bi-Laminated
- Ovale Fenestration 6.5x8.25cm
- Positioning tape 13cm

CODE	SIZE	ITEMS/CASE
K892036	120x150cm	180
K792036	120x150cm	235
K892035	50x60cm	450
K792035	50x60cm	450
K892034	75x75cm	230
K792034	75x75cm	230

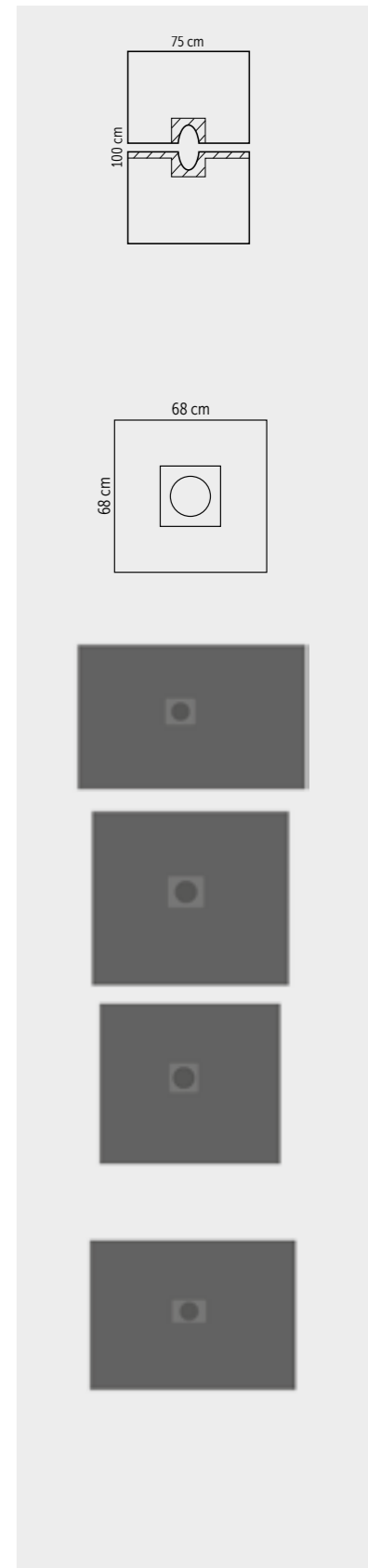
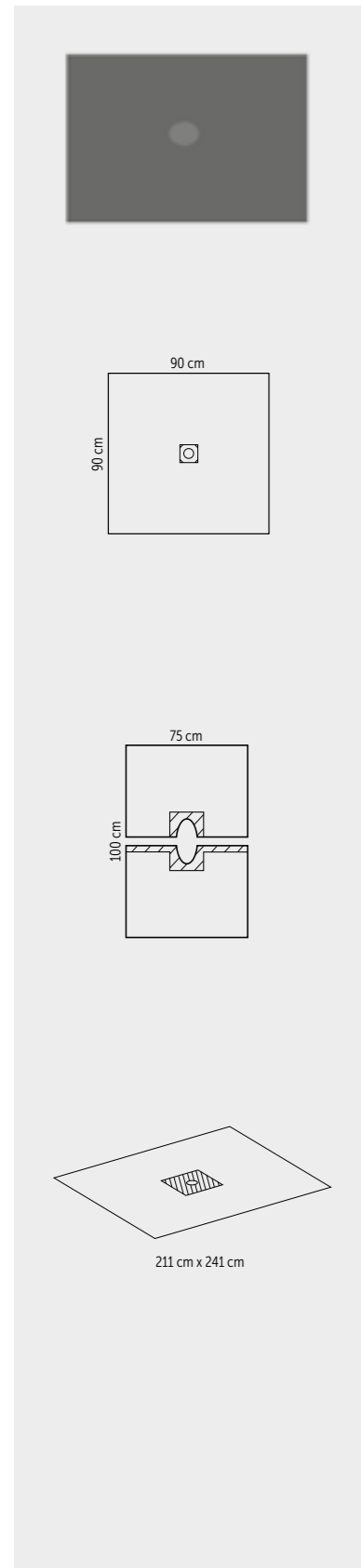
ABSORBENT FENESTRATED DRAPE

- 40GSM Bi-Laminated
- Circular Fenestration 10cm
- Positioning tape 15cm

CODE	SIZE	ITEMS/CASE
K892033	75x90cm	180
K792033	75x90cm	230

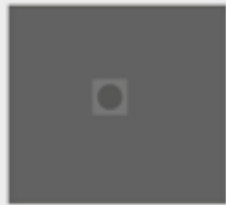
All codes in **bold** indicate a sterile product.

All codes in **bold** indicate a sterile product.



GENERAL SURGERY DRAPES

GENERAL SURGERY DRAPES



ABSORBENT FENESTRATED DRAPE

- 40GSM Bi-Laminated
- Circular Fenestration 5cm
- Positioning tape 10cm

CODE	SIZE	ITEMS/CASE
K892032	50x60cm	400
K792032	50x60cm	450

U-DRAPES

U-DRAPE, 193 X 305 CM

- Split 10 x 102 cm
- CONTROL* or CONTROL* Plus Fabric Reinforcement 122 x 61 cm
- Tube Holders
- Positioning Tape

CODE	DESCRIPTION	ITEMS/CASE
76361	U-Drape, CONTROL* Plus, Non-Sterile	15
13231	U-Drape, CONTROL*, Non-Sterile - handi-bin	190

U-DRAPE, 193 X 305 CM

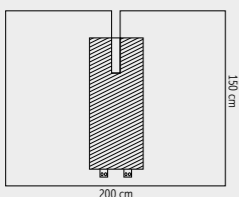
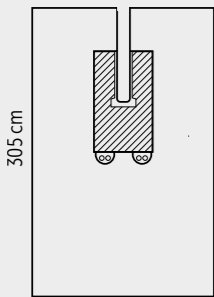
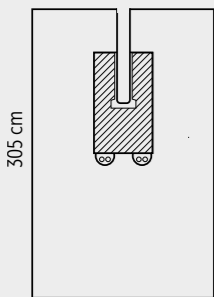
- Split 10 x 102 cm
- CONTROL* Plus Fabric Reinforcement 122 x 61 cm
- Tube Holders
- Positioning Tape, width: 2 cm

CODE	DESCRIPTION	ITEMS/CASE
89301	U-Drape, CONTROL* Plus, Sterile	17

U-DRAPE, 200 X 150 CM

- Split 8 x 64 cm
- SMS
- CONTROL* Fabric Reinforcement

CODE	DESCRIPTION	ITEMS/CASE
K790790	U-Drape, Non-Sterile	22



LARGE ORTHO U-DRAPE, 224 X 318 CM

- Split 15 x 137 cm
- CONTROL* or CONTROL* Plus Fabric Reinforcement 81 x 170 cm
- Tube Holders
- Positioning Tape

CODE	DESCRIPTION	ITEMS/CASE
89311	Large Ortho U-Drape, CONTROL* Plus, Sterile	11
79363	Large Ortho U-Drape, CONTROL* Plus, Non-Sterile	15
K793630	Large Ortho U-Drape, CONTROL*, Non-Sterile	22
76368	Large Ortho U-Drape, CONTROL* Plus, Non-Sterile	15

HALYARD BASICS* U-DRAPE, 203 X 315 CM

- Split 10 x 112 cm
- SMS
- Absorbent Reinforcement

CODE	DESCRIPTION	ITEMS/CASE
79532	HALYARD BASICS* U-Drape, Non-Sterile	30

SPLIT DRAPE 228 X 260 CM W/ U 20 X 100 CM

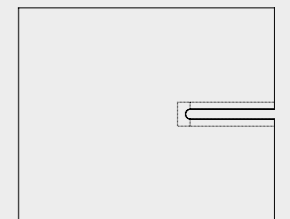
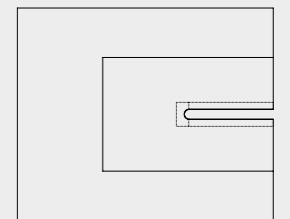
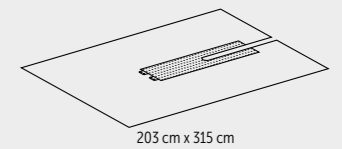
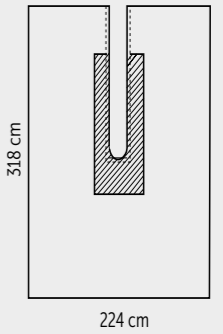
- Main Drape Size : 228 x 260 cm
- U-Split Size : 20 x 100 cm
- Renforcement Size : 81.28 x 121.92 cm
- SMS

CODE	DESCRIPTION	ITEMS/CASE
K793214	Split Drape, 228 X 260 cm. W/split 20 X 100 cm, Non-Sterile	40

TRI LAMINATED FABRIC SPLIT DRAPE, 228 X 260 CM U 20 X 100 CM

- Main Drape Size : 228 x 260 cm
- U-Split Size : 20 x 100 cm
- Tri-Laminated Fabric

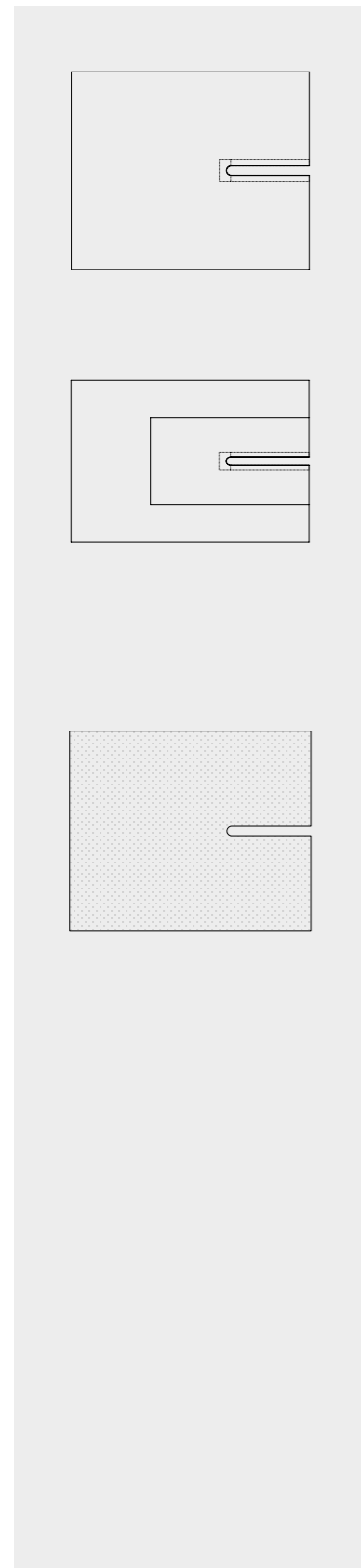
CODE	DESCRIPTION	ITEMS/CASE
K793215	Split Drape, 228 X 260 cm. W/split 20 X 100 cm, Non-Sterile	40



All codes in **bold** indicate a sterile product.

All codes in **bold** indicate a sterile product.

GENERAL SURGERY DRAPES



BI LAMINATED FABRIC SPLIT DRAPE, 228 X 256 CM U 20 X 100 CM

- Main Drape Size : 228 x 256 cm
- U-Split Size : 20 cm x 100 cm
- Base material: Bi-Laminated fabric

CODE	DESCRIPTION	ITEMS/CASE
K793216	Split Drape, 228 X 256 cm. W/split 20 X 100 cm, Non-Sterile	40

TRI LAMINATED FABRIC 152 X 183 CM. U 7 X 70 CM

- Main Drape Size : 152 x 183 cm.
- U-Split Size : 7 x 70 cm.
- Reinforcement Size : 81.28 x 121.92 cm
- Base material : SMS

CODE	DESCRIPTION	ITEMS/CASE
K793219	Split Drape, 152 X 183 cm. W/split 7 x 70 cm, Non-Sterile	40

SMS 152 X 183 CM. U 7 X 70 CM

- Tri-Laminated Drape Size : 152 x 183 cm
- U-Split Size surrounded by medical tape : 7 x 70 cm
- Tri-Laminated Blue Fabric

CODE	DESCRIPTION	ITEMS/CASE
K893217	Split Drape, Sterile	40

All codes in **bold** indicate a sterile product.

See Back Cover for Trademark Information

GENERAL SURGERY DRAPES

BAR DRAPES

ORTHO BAR DRAPE, 254 X 152 CM

- CONTROL* Plus Fabric Reinforcement 41 x 61 cm
- Tube Holders
- Positioning Tape

CODE	DESCRIPTION	ITEMS/CASE
89381	Ortho Bar Drape, Sterile	18
79360	Ortho Bar Drape, Non-Sterile	28

BAR DRAPE WITH ARMBOARD COVERS, 269 X 157 CM

- Armboard Covers
- CONTROL* or CONTROL* Plus Fabric Reinforcement 41 x 61 cm
- Tube Holders
- Positioning Tape

CODE	DESCRIPTION	ITEMS/CASE
79375	Bar Drape, CONTROL*, Non-Sterile	28
76363	Bar Drape, CONTROL* Plus, Non-Sterile	26

SURGICAL DRAPE, 195 X 241 CM

- SMS
- CONTROL* Fabric Reinforcement
- Positioning Tape

CODE	DESCRIPTION	ITEMS/CASE
K791412	Surgical Drape, Non-Sterile	50

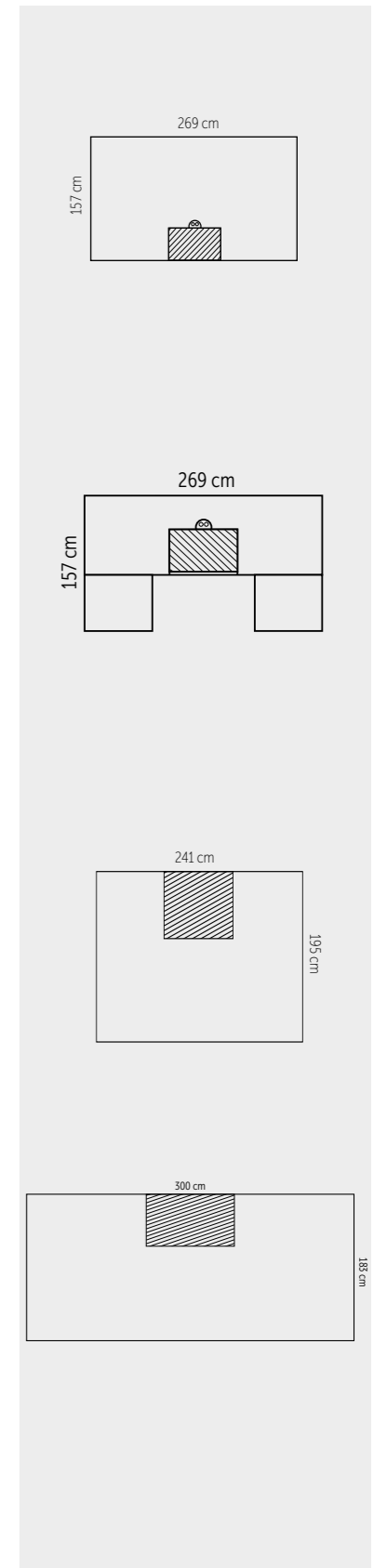
BAR DRAPE, 183 X 300 CM

- SMS
- CONTROL* Fabric Reinforcement 20 x 150 cm
- Positioning Tape

CODE	DESCRIPTION	ITEMS/CASE
K793703	Bar Drape, Non-Sterile	40

All codes in **bold** indicate a sterile product.

See Back Cover for Trademark Information



GENERAL SURGERY DRAPES

GENERAL SURGERY DRAPES

BOTTOM DRAPES

HALYARD BASICS* BOTTOM DRAPE, 195 X 195 CM

- SMS

CODE	DESCRIPTION	ITEMS/CASE
79787	HALYARD BASICS* Bottom Drape, Non-Sterile	35

BOTTOM DRAPE, 180 X 149 CM

- CONTROL* Fabric Reinforcement 30 x 89 cm
- Positioning Tape

CODE	DESCRIPTION	ITEMS/CASE
79214	Bottom Drape, Non-Sterile	40

BOTTOM DRAPE, 180 X 175 CM

- CONTROL* Fabric Reinforcement 30 x 89 cm
- Positioning Tape

CODE	DESCRIPTION	ITEMS/CASE
79217	Bottom Drape, Non-Sterile	35

BOTTOM DRAPE, 157 X 178 CM

- CONTROL* Plus Fabric Reinforcement 81 x 61 cm
- Tube Holders
- Positioning Tape

CODE	DESCRIPTION	ITEMS/CASE
76366	Bottom Drape, Non-Sterile	22

All codes in **bold** indicate a sterile product.

See Back Cover for Trademark Information

BOTTOM DRAPE, 173 X 180 CM

- CONTROL* Plus Fabric Reinforcement 63 x 61 cm
- Positioning Tape

CODE	DESCRIPTION	ITEMS/CASE
79011	Bottom Drape, Non-Sterile	50

BOTTOM DRAPE, 183 X 230 CM

- CONTROL* Fabric Reinforcement 10.6 x 50.8 cm
- Positioning Tape

CODE	DESCRIPTION	ITEMS/CASE
K795610	Bottom Drape, Non-Sterile	50

BOTTOM DRAPE WITH ADHESIVE, 220 X 175 CM

- Main Drape size : 220 x 175 cm
- Reinforcement size 30.5 x 101.6 cm
- Adhesive size : 2.5 x 101.6 cm.
- Base material : SMS fabric
- Reinforcement : Control Plus

CODE	DESCRIPTION	ITEMS/CASE
K795613	Bottom Drape W/Adhesive, Non-Sterile	50
K795614	Bottom Drape W/Adhesive, Non-Sterile	50

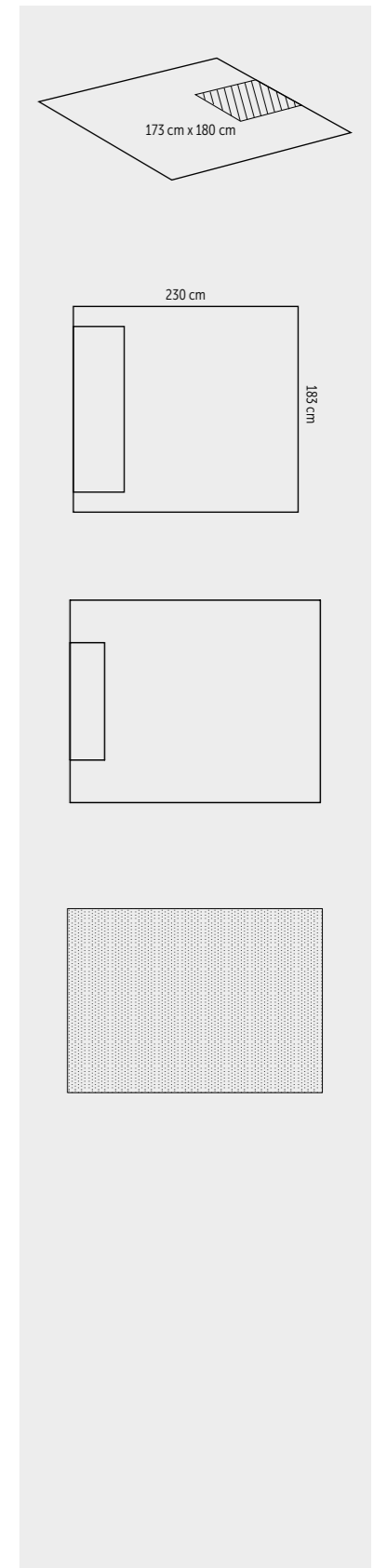
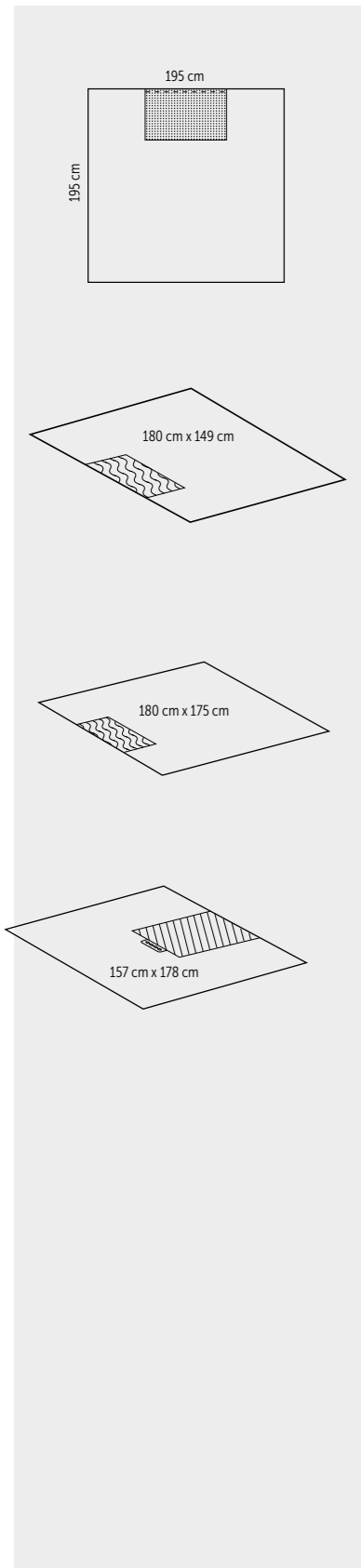
BOTTOM DRAPE, 196 X 196 CM

- Bi-Laminated Blue Fabric

CODE	DESCRIPTION	ITEMS/CASE
K795615	Bottom Drape, Non-Sterile	50

All codes in **bold** indicate a sterile product.

See Back Cover for Trademark Information



GENERAL SURGERY DRAPES

GENERAL SURGERY DRAPES

SIDE DRAPES

SIDE DRAPE, 90 X 100 CM

- CONTROL* Fabric Reinforcement 99 x 31 cm
- Positioning Tape

CODE	DESCRIPTION	ITEMS/CASE
79216	Side Drape, Non-Sterile	70

SIDE DRAPE, 75 X 100 CM

- CONTROL* Plus Fabric Reinforcement 41 x 51 cm
- Positioning Tape

CODE	DESCRIPTION	ITEMS/CASE
79012	Side Drape, Non-Sterile	150

SIDE DRAPE, 76 X 91 CM

- SMS
- CONTROL* Fabric Reinforcement
- Positioning Tape 2.5 cm

CODE	DESCRIPTION	ITEMS/CASE
K792130	Side Drape, Non-Sterile	200

SIDE DRAPE, 91 X 112 CM

- CONTROL* Plus Fabric Reinforcement 46 x 112 cm
- Positioning Tape

CODE	DESCRIPTION	ITEMS/CASE
76365	Side Drape, Non-Sterile	54

SIDE DRAPE WITH ADHESIVE, 75 X 89 CM

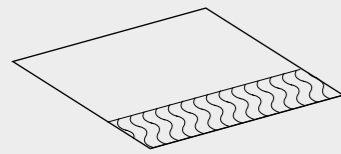
- Base material : Bi-Laminated

CODE	DESCRIPTION	ITEMS/CASE
K795806	Side Drape, Non-Sterile	50

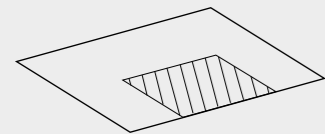
SIDE DRAPE WITH ADHESIVE, 120 X 100 CM

- SMS
- adhesive size 2,5cm x 120 cm

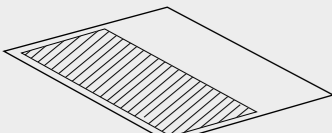
CODE	DESCRIPTION	ITEMS/CASE
K795805	Side Drape with Adhesive	70



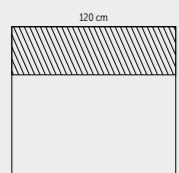
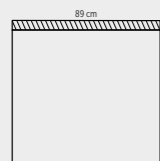
90 cm x 100 cm



75 cm x 100 cm



91 cm x 112 cm



TOP DRAPES

TOP DRAPE, 149 X 241 CM

- CONTROL* Fabric Reinforcement
- Positioning Tape

CODE	DESCRIPTION	ITEMS/CASE
79218	Top Drape, Non-Sterile	35

TOP DRAPE, 149 X 180 CM

- CONTROL* Fabric Reinforcement 30 x 89 cm
- Positioning Tape

CODE	DESCRIPTION	ITEMS/CASE
79215	Top Drape, Non-Sterile	4

TOP DRAPE, 148 X 240 CM

- CONTROL* Plus Fabric Reinforcement 42 x 61 cm
- Positioning Tape

CODE	DESCRIPTION	ITEMS/CASE
79010	Top Drape, Non-Sterile	50

TOP DRAPE, 157 X 241 CM

- CONTROL* Plus Fabric Reinforcement 30 x 61 cm
- Positioning Tape

CODE	DESCRIPTION	ITEMS/CASE
76367	Top Drape, Non-Sterile	33

HALYARD BASICS* TOP DRAPE, 275 X 150 CM

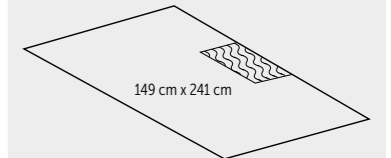
- SMS

CODE	DESCRIPTION	ITEMS/CASE
79790	HALYARD BASICS* Top Drape, Non-Sterile	35

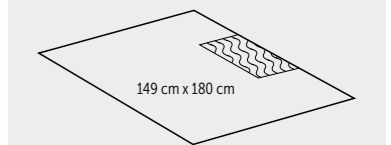
TOP DRAPE WITH ADHESIVE, 300 X 175 CM

- Main Drape size : 300 x 175 cm
- Reinforcement size : 30.5 x 101.6 cm
- Base material: SMS fabric
- Reinforcement : Control Plus

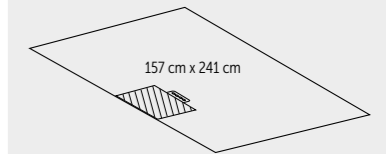
CODE	DESCRIPTION	ITEMS/CASE
K795711	Top Drape W/Adhesive, Non-Sterile	40



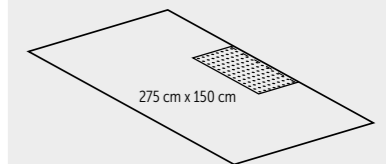
149 cm x 241 cm



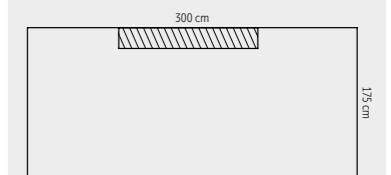
149 cm x 180 cm



157 cm x 241 cm



275 cm x 150 cm



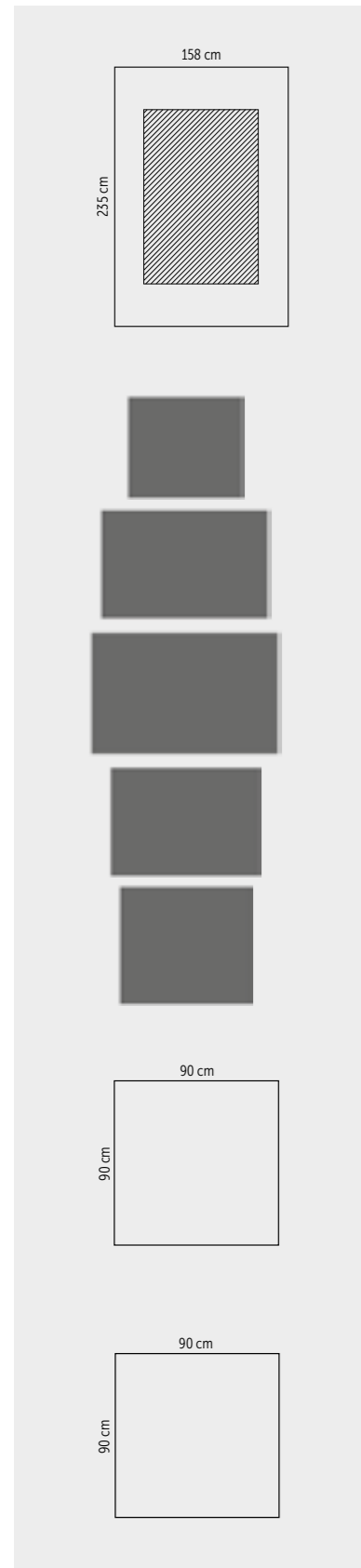
300 cm

175 cm

All codes in **bold** indicate a sterile product.

All codes in **bold** indicate a sterile product.

GENERAL SURGERY DRAPES



ABSORBENT UNDERLEG DRAPES

POLY DRAPE, 158 X 235 CM

- CONTROL* Plus Fabric Reinforcement 157 x 104 cm

CODE	DESCRIPTION	ITEMS/CASE
59705	Poly Drape, Sterile	14

SINGLE DRAPES

SMALL ABSORBENT DRAPES

- 40 GSM Bi-laminated

CODE	SIZE	ITEMS/CASE
K891022	45x50cm	400
K791022	45x50cm	470
K891025	75x90cm	440
K791025	75x90cm	450
K891026	112x145cm	125
K791026	112x145cm	235
K891023	45x75cm	400
K791023	45x75cm	460
K891024	75x75cm	400
K791024	75x75cm	450

DRAPE, 90 X 90 CM

- SMS

CODE	DESCRIPTION	ITEMS/CASE
89353	Drape, Sterile	120
76323	Drape, Non-Sterile	200

HALYARD BASICS* DRAPE, 90 X 90 CM

- Spunbond Film

CODE	DESCRIPTION	ITEMS/CASE
89678	HALYARD BASICS* Drape, Sterile	30
79782	HALYARD BASICS* Drape, Non-Sterile	90

All codes in **bold** indicate a sterile product.

See Back Cover for Trademark Information

GENERAL SURGERY DRAPES

HALF DRAPE, 147 X 101 CM

- SMS

CODE	DESCRIPTION	ITEMS/CASE
47614	Half Drape, Sterile	60
47616	Half Drape, Non-Sterile	80

HALYARD BASICS* HALF DRAPE, 112 X 150 CM

- Spunbond Film

CODE	DESCRIPTION	ITEMS/CASE
89672	HALYARD BASICS* Half Drape, Sterile	40
79694	HALYARD BASICS* Half Drape, Non-Sterile	50

LARGE DRAPE, 139 X 193 CM

- SMS

CODE	DESCRIPTION	ITEMS/CASE
47622	Large Drape, Sterile	32
47623	Large Drape, Non-Sterile	32

HALYARD BASICS* LARGE DRAPE, 150 X 193 CM

- Spunbond Film

CODE	DESCRIPTION	ITEMS/CASE
89674	HALYARD BASICS* Large Drape, Sterile	30
79696	HALYARD BASICS* Large Drape, Non-Sterile	40

MEDIUM DRAPE, 185 X 101 CM

- SMS

CODE	DESCRIPTION	ITEMS/CASE
47618	Medium Drape, Non-Sterile	64

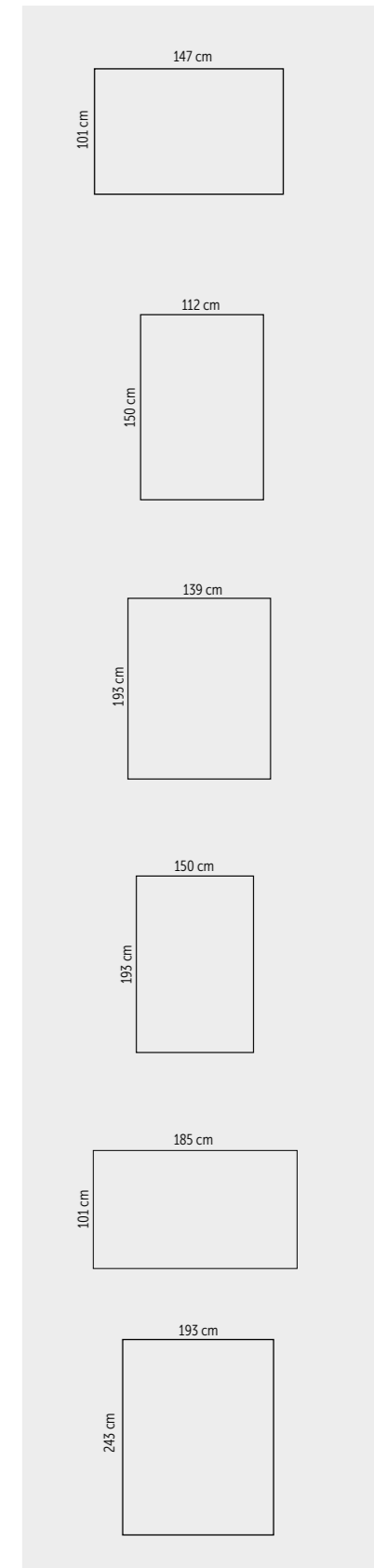
X-LARGE DRAPE, 193 X 243 CM

- SMS

CODE	DESCRIPTION	ITEMS/CASE
47631	X-Large Drape, Non-Sterile	24

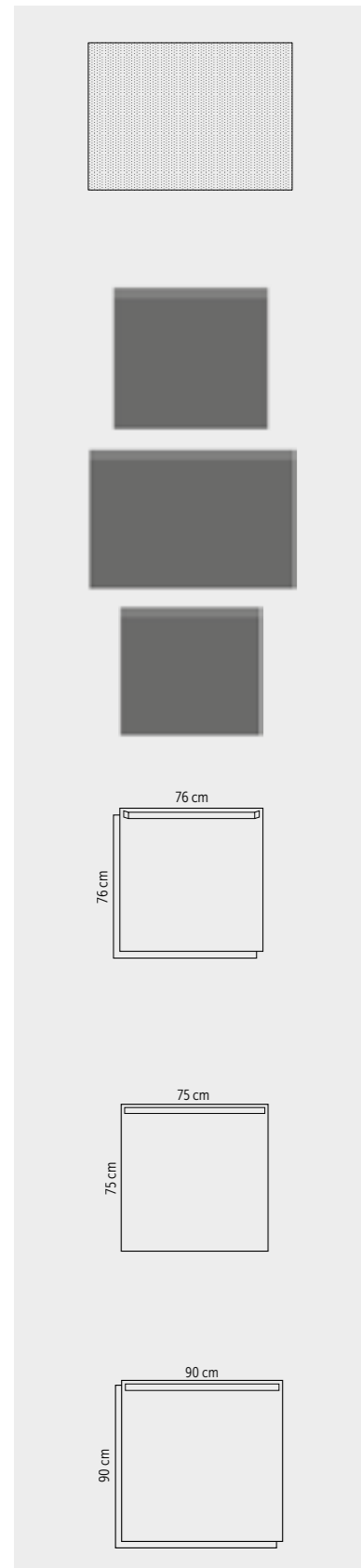
All codes in **bold** indicate a sterile product.

See Back Cover for Trademark Information



GENERAL SURGERY DRAPES

GENERAL SURGERY DRAPES



ABSORBENT DRAPE, 100 X 152 CM

- Bi-Laminated Drape Size : 100 x 152 cm

CODE	DESCRIPTION	ITEMS/CASE
K791020	Absorbent Drape, Non-Sterile	110

UTILITY DRAPES

SMALL ABSORBENT DRAPE WITH TAPE

- 40 GSM Bi-laminated
- Full length tape on one side

CODE	SIZE	TAPE LENGTH	ITEMS/CASE
K897322	75x75cm	75cm	200
K797322	75x75cm	75cm	300
K897320	75x90cm	90cm	440
K797320	75x90cm	90cm	440
K897321	45x50cm	45cm	460
K797321	45x50cm	45cm	460

UTILITY DRAPE WITH TAPE, 76 X 76 CM, PER PAIR

- SMS

CODE	DESCRIPTION	ITEMS/CASE
89313	Utility Drape with Tape, Sterile	180 (2 x 90)
79313	Utility Drape with Tape, Non-Sterile	200

HALYARD BASICS* UTILITY DRAPE WITH TAPE, 75 X 75 CM

- Spunbond Film

CODE	DESCRIPTION	ITEMS/CASE
89677	HALYARD BASICS* Utility Drape with Tape, Sterile	35
79699	HALYARD BASICS* Utility Drape with Tape, Non-Sterile	60

UTILITY DRAPE WITH TAPE, 90 X 90 CM, PER PAIR

- SMS

CODE	DESCRIPTION	ITEMS/CASE
89293	Utility Drape with Tape, Sterile	160 (2 x 80)
79293	Utility Drape with Tape, Non-Sterile	170

All codes in **bold** indicate a sterile product.

UTILITY DRAPE WITH TAPE, 90 X 90 CM

- SMS

CODE	DESCRIPTION	ITEMS/CASE
89363	Utility Drape with Tape, Sterile	100
79293	Utility Drape with Tape, Non-Sterile	170

HALYARD BASICS* UTILITY DRAPE WITH TAPE, 90 X 90 CM

- Spunbond Film

CODE	DESCRIPTION	ITEMS/CASE
89679	HALYARD BASICS* Utility Drape with Tape, Sterile	30
79783	HALYARD BASICS* Utility Drape with Tape, Non-Sterile	90

STANDARD ABSORBENT DRAPE, 91 X 91 CM

CODE	DESCRIPTION	ITEMS/CASE
89343	Standard Absorbent Drape, Sterile	50
79343	Standard Absorbent Drape, Non-Sterile	70

UTILITY DRAPE, 157 X 241 CM

- SMS
- Full Length Tape on the Long Side

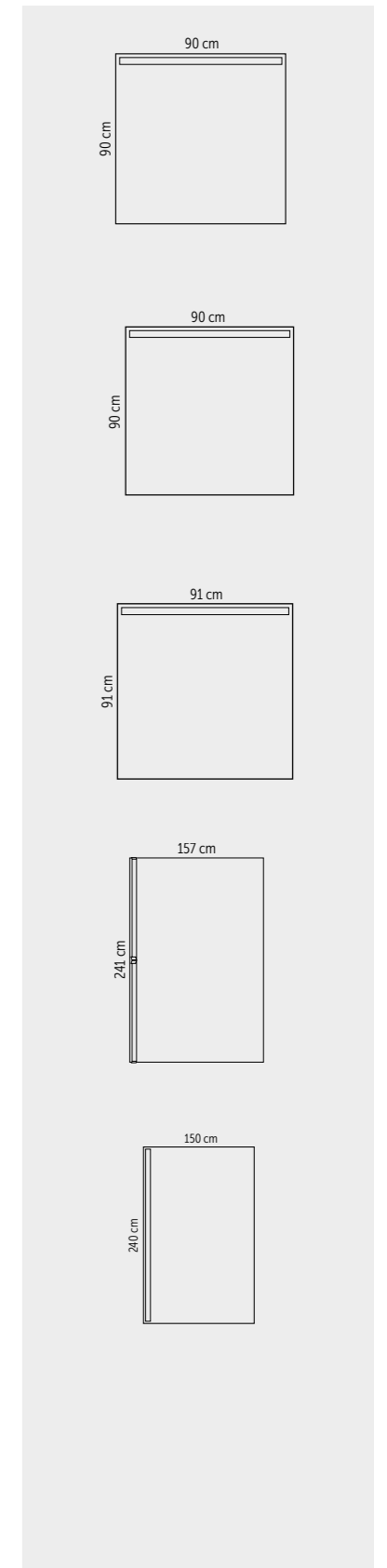
CODE	DESCRIPTION	ITEMS/CASE
76291	Utility Drape, Sterile	30
76492	Utility Drape, Non-Sterile	32

HALYARD BASICS* UTILITY DRAPE WITH TAPE, 150 X 240 CM

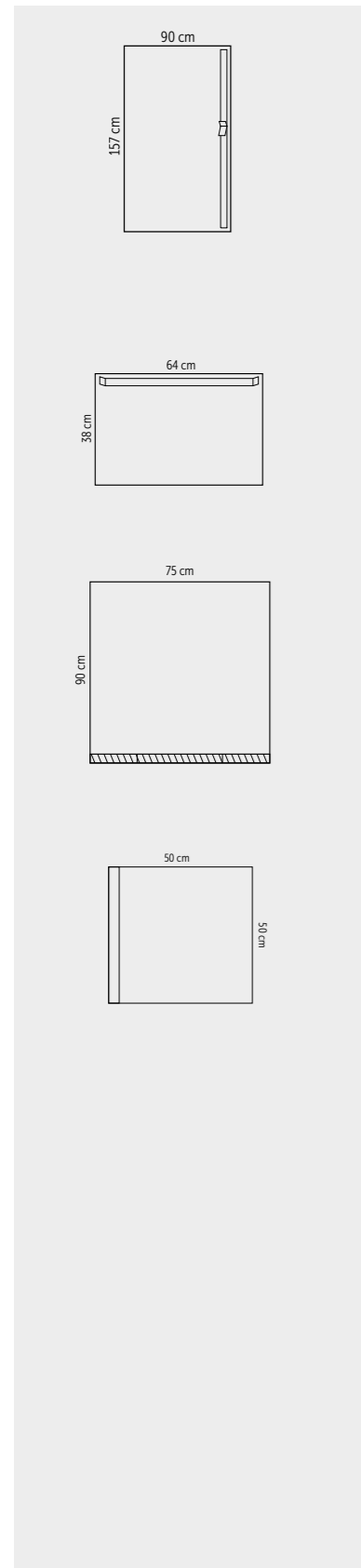
- SMS
- Full Length Tape on the Long Side

CODE	DESCRIPTION	ITEMS/CASE
89676	HALYARD BASICS* Utility Drape with Tape, Sterile	30

All codes in **bold** indicate a sterile product.



GENERAL SURGERY DRAPES



UTILITY DRAPE, 90 X 157 CM

- SMS
- Full Length Tape on the Long Side

CODE	DESCRIPTION	ITEMS/CASE
76293	Utility Drape, Sterile	60
78965	Utility Drape, Non-Sterile	120

UTILITY DRAPE WITH TAPE, 64 X 38 CM

- SMS
- Full Length Tape on the Long Side

CODE	DESCRIPTION	ITEMS/CASE
79731	Utility Drape with Tape, Non-Sterile	550

UTILITY DRAPE WITH TAPE, 75 X 90 CM

CODE	DESCRIPTION	ITEMS/CASE
K797310	Utility Drape with Tape, Non-Sterile	200

STANDARD ABSORBENT DRAPE, 50 X 50CM

- Full Length Tape on One Side

CODE	DESCRIPTION	ITEMS/CASE
K897312	Utility Drape with Tape, Sterile	100

All codes in **bold** indicate a sterile product.

See Back Cover for Trademark Information

GENERAL SURGERY DRAPES

FENESTRATED DRAPE WITH TAPE 90X190

- Main Drape size : 190 x 90 cm.
- Fenestration size : 10.2 cm (Diamètre)
- Base material: Tri-Laminated Fabric (Hydrophilic)

CODE	DESCRIPTION	ITEMS/CASE
K796710	Fenestrated Drape with Tape, Non-sterile	50

BI LAMINATED FABRIC DRAPE 75X90 W/ ADHESIVE

- Main Drape size : 76 x 90 cm
- Base material : Bi-Laminated Fabric (Hydrophilic)

CODE	DESCRIPTION	ITEMS/CASE
K891013	Drape with Adhesive, Sterile	100

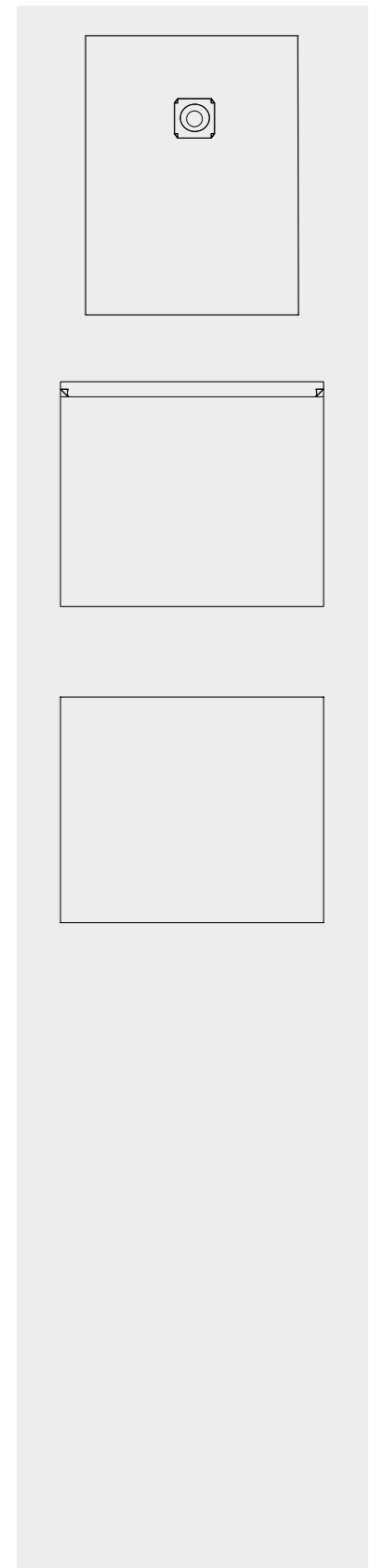
BI LAMINATED FABRIC DRAPE 75X90 WITHOUT ADHESIVE

- Main Drape size : 76 x 90 cm
- Base material : Bi-Laminated Fabric (Hydrophilic)

CODE	DESCRIPTION	ITEMS/CASE
K891012	Drape Plain, Sterile	150

All codes in **bold** indicate a sterile product.

See Back Cover for Trademark Information



GENERAL SURGERY DRAPES

GENERAL SURGERY DRAPES

LAPAROTOMY DRAPES

LAPAROTOMY DRAPE WITH ATTACHED LEGGINGS, 255 X 317 X 284 CM

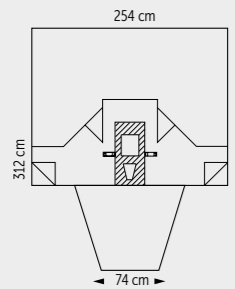
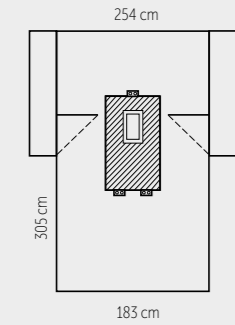
- SMS
- Abdominal Fenestration 33 x 37 cm, with Incise
- Perineal Fenestration 11 x 16 cm
- CONTROL' Reinforcement
- Velcro and pouches with 2 compartments

CODE	DESCRIPTION	ITEMS/CASE
K892245	Laparotomy Drape with Attached Leggings, Sterile	12
K792245	Laparotomy Drape with Attached Leggings, Non-Sterile	8

LAPAROTOMY DRAPE WITH ATTACHED LEGGINGS, 255 X 317 X 284 CM

- SMS
- Abdominal Fenestration 33 x 37 cm
- Perineal Fenestration 11 x 16 cm
- CONTROL' Reinforcement
- Velcro and pouches with 2 compartments

CODE	DESCRIPTION	ITEMS/CASE
K892246	Laparotomy Drape with Attached Leggings, Sterile	12
K792246	Laparotomy Drape with Attached Leggings, Non-Sterile	12



LAPAROTOMY DRAPE WITH INCISE, 254 X 305 X 183 CM

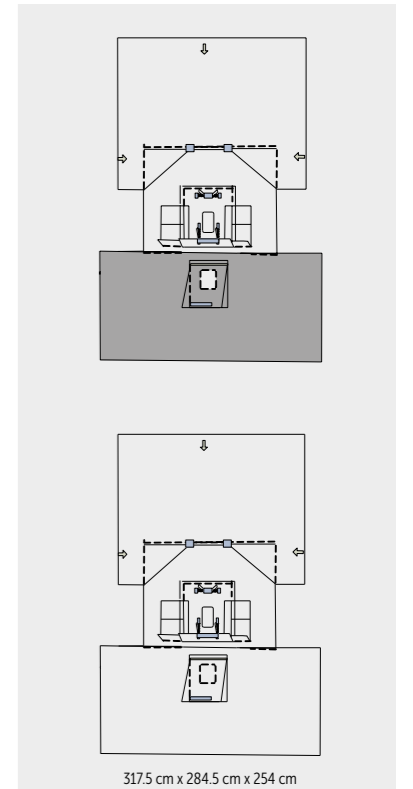
- Fenestration 20 x 33 cm
- CONTROL' Plus Fabric Reinforcement 61 x 96 cm
- Tube Holders
- Armboard Covers
- Positioning Tape

CODE	DESCRIPTION	ITEMS/CASE
89282	Laparotomy Drape with Incise, Sterile	15
79282	Laparotomy Drape with Incise, Non-Sterile	15

LAPAROTOMY DRAPE WITH ATTACHED LEGGINGS, 254 X 312 X 74 CM

- Abdominal Fenestration 23 x 28 cm
- Trapezoidal Perineal Fenestration with Flap 7.6 x 18 cm
- CONTROL' Plus Fabric Reinforcement 76 x 38 cm
- Hook and Loop Tube Holders
- Positioning Tape on both Fenestrations

CODE	DESCRIPTION	ITEMS/CASE
76380	Laparotomy Drape with Attached Leggings, Non-Sterile	8



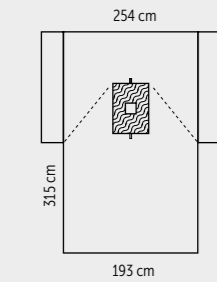
All codes in **bold** indicate a sterile product.

All codes in **bold** indicate a sterile product.

GENERAL SURGERY DRAPES

GENERAL SURGERY DRAPES

BREAST/CHEST DRAPES

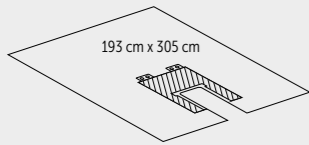


BREAST DRAPE, 254 X 315 X 193 CM

- Fenestration 15 x 15 cm
- CONTROL[®] Fabric Reinforcement 51 x 71 cm
- 2 Velcros - Aperture is adhesive and it has 2,5 cm wide tapes
- Armboard Covers

CODE	DESCRIPTION	ITEMS/CASE
89236	Breast Drape, Sterile	10
79236	Breast Drape, Non-Sterile	20

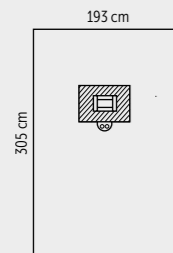
BREAST & CHEST U-DRAPE, 193 X 305 CM



- CONTROL[®] Plus Fabric Reinforcement 102 x 61 cm
- Tube Holders
- Positioning Tape
- 30 x 76 cm Split

CODE	DESCRIPTION	ITEMS/CASE
76364	Breast & Chest U-Drape, Non-Sterile	19

THYROID DRAPES



THYROID DRAPE, 193 X 305 CM

- Transverse Fenestration 20 x 7 cm
- CONTROL[®] Plus Fabric Reinforcement 61 x 41 cm
- Tube Holders
- Positioning Tape

CODE	DESCRIPTION	ITEMS/CASE
89251	Thyroid Drape, Sterile	13

All codes in **bold** indicate a sterile product.

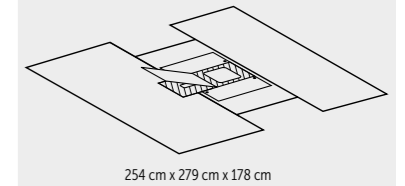
See Back Cover for Trademark Information

LAPAROSCOPY DRAPES

LAPAROSCOPY DRAPE WITH ATTACHED LEGGINGS, 254 X 279 X 178 CM WITH SIDE POUCHES 28 X 58 CM

- Abdominal Fenestration 30 x 33 cm
- Perineal Fenestration 22 x 10 cm
- With Flap over both Fenestrations
- CONTROL[®] Plus Reinforcement 96 x 152 cm

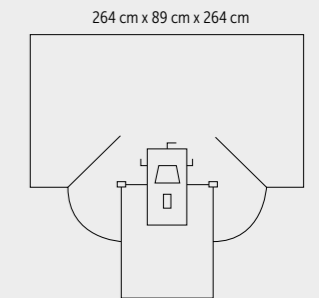
CODE	DESCRIPTION	ITEMS/CASE
76377	Laparoscopy Drape with Attached Leggings, Non-Sterile	10



LAPAROSCOPY/PELVISCOPY DRAPE, 264 X 89 X 264 CM

- SMS
- CONTROL[®] Plus Fabric Reinforcement 38 x 76 cm
- Trapezoidal Abdominal Fenestration 18 x 23 x L 18 cm
- Perineal Fenestration 7 x 15 cm
- With Flap over both Fenestrations
- Positioning Tape around Abdominal Fenestration

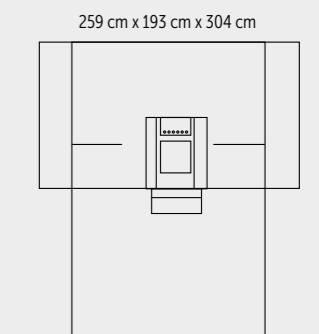
CODE	DESCRIPTION	ITEMS/CASE
79222	Laparoscopy/Pelviscopy Drape, Non-Sterile	22



LAPAROSCOPY/CHOLECYSTECTOMY DRAPE, 295 X 193 X 304 CM

- SMS
- CONTROL[®] Plus Fabric Reinforcement 61 x 71 cm
- Fenestration 30 x 33 cm
- Instrument Pouch 48 x 33 cm
- Armboard Covers
- Tube Holders
- Positioning Tape

CODE	DESCRIPTION	ITEMS/CASE
79223	Laparoscopy/Cholecystectomy Drape, Non-Sterile	13



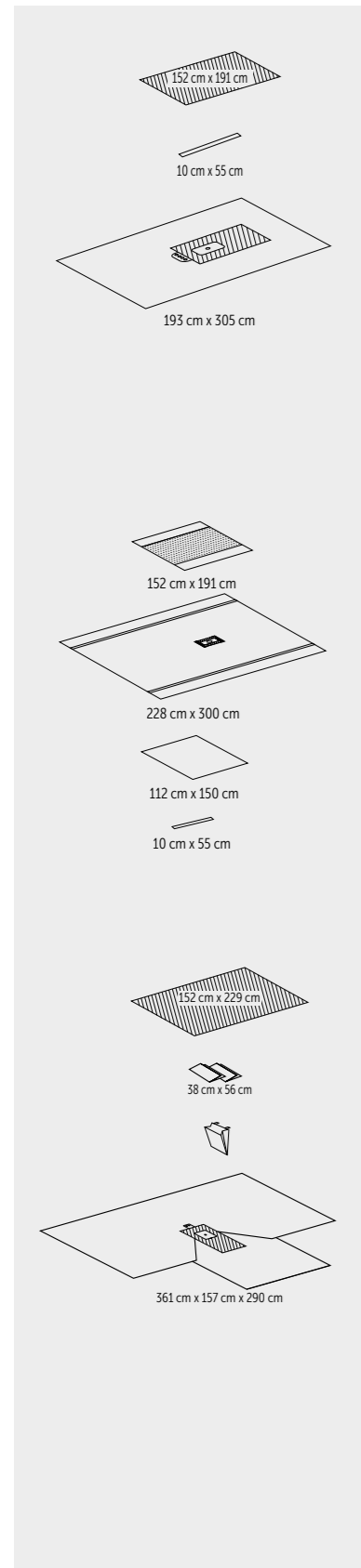
All codes in **bold** indicate a sterile product.

See Back Cover for Trademark Information

General Surgery Drapes

ORTHOPAEDICS

ORTHOPAEDIC PACKS



UPPER EXTREMITY PACK

CODE	DESCRIPTION	ITEMS/CASE
77781	Upper Extremity Pack	9
STERILE	NON-STERILE	CONTENTS
-	-	1 Sterilisation Wrap 89 x 89 cm
42222	42428	1 Back Table Cover, Reinforced 152 x 191 cm
89053	79053	1 Tape Strip 10 x 55 cm
89271	79273	1 Extremity Drape 193 x 305 cm: <ul style="list-style-type: none"> • Conformable Circular Fenestration 3 cm • CONTROL* Fabric Reinforcement • Tube Holders

HALYARD BASICS* EXTREMITY PACK II

CODE	DESCRIPTION	ITEMS/CASE
89684	HALYARD BASICS* Extremity Pack II	10
STERILE	NON-STERILE	CONTENTS
88673	78669	1 Back Table Cover, Zone Reinforced 152 x 191 cm
-	-	1 Extremity Drape 228 x 300 cm: <ul style="list-style-type: none"> • Oval Fenestration 8 x 6 cm, centered • Spunbond Film
89672	79694	1 Half Drape 112 x 150 cm
-	-	1 Tape Strip 10 x 55 cm

HAND PACK

CODE	DESCRIPTION	ITEMS/CASE
59707	Hand Pack	8
STERILE	NON-STERILE	CONTENTS
-	42451	1 Back Table Cover, Reinforced 152 x 229 cm
89701	79720	1 Absorbent Towel 38 x 56 cm
77450	13227 (handi-bin)	1 Hand Drape 290 x 361 x 157 cm: <ul style="list-style-type: none"> • Conformable Circular Fenestration 3 cm • CONTROL* Plus Fabric Reinforcement • Tube Holders • Gusseted Hand Table Cover 157 x 147 cm • Positioning Tape

All codes in **bold** indicate a sterile product.

See Back Cover for Trademark Information

ORTHOPAEDIC PACKS

HAND PACK I

CODE	DESCRIPTION	ITEMS/CASE
76226	Hand Pack I	7
STERILE	NON-STERILE	CONTENTS
42345	-	1 Back Table Cover, Reinforced 140 x 190 cm
89601	79601	1 Mayo Stand Cover 58 x 137 cm
90012	79970	1 Surgical Gown Set-in-Sleeves Large
90043	79983	1 Surgical Gown Raglan Sleeves XL, X-Long
89053	79053	2 Tape Strips 10 x 55 cm
47622	47623	1 Large Drape 193 x 139 cm
-	-	1 Hand Drape 193 x 305 cm: <ul style="list-style-type: none"> • Attached Sleeve • Tube Holders • CONTROL* Plus Fabric Reinforcement

HAND PACK

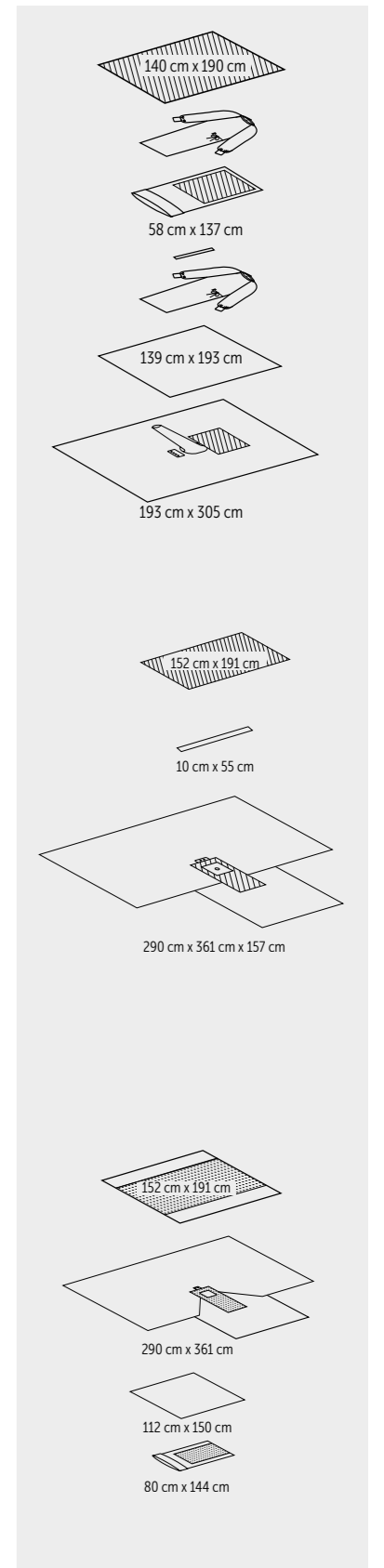
CODE	DESCRIPTION	ITEMS/CASE
77783	Hand Pack	7
STERILE	NON-STERILE	CONTENTS
-	-	1 Sterilisation Wrap 89 x 89 cm
42222	42428	1 Back Table Cover, Reinforced 152 x 191 cm
89053	79053	1 Tape Strip 10 x 55 cm
77450	13227 (handi-bin)	1 Hand Drape 290 x 361 x 157 cm: <ul style="list-style-type: none"> • Conformable Circular Fenestration 3 cm • CONTROL* Plus Fabric Reinforcement • Tube Holders • Gusseted Hand Table Cover 157 x 147 cm • Positioning Tape

HALYARD BASICS* HAND PACK

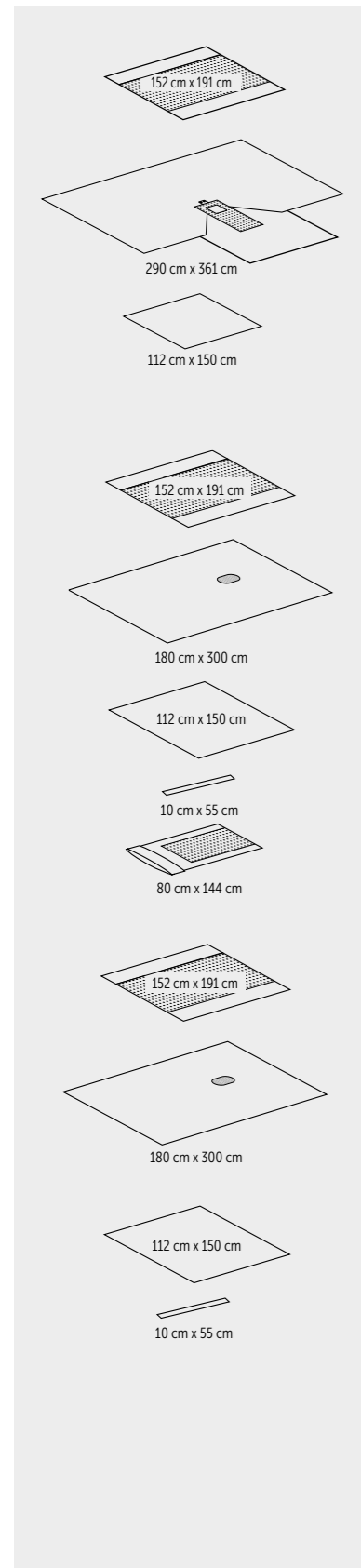
CODE	DESCRIPTION	ITEMS/CASE
88910	HALYARD BASICS* Hand Pack	10
STERILE	NON-STERILE	CONTENTS
88673	78669	1 Back Table Cover, Zone Reinforced 152 x 191 cm
47348	-	1 Mayo Stand Cover, Zone Reinforced 80 x 144 cm
-	-	1 Hand Drape 290 x 361 cm: <ul style="list-style-type: none"> • Conformable Circular Fenestration 3 cm, centered • Absorbent Reinforcement
89672	79694	1 Half Drape 112 x 150 cm

All codes in **bold** indicate a sterile product.

See Back Cover for Trademark Information



ORTHOPAEDIC PACKS



HALYARD BASICS* HAND PACK II

CODE	DESCRIPTION	ITEMS/CASE
89687	HALYARD BASICS* Hand Pack II	10
STERILE	NON-STERILE	CONTENTS
88673	78669	1 Back Table Cover, Zone Reinforced 152 x 191 cm
-	-	1 Hand Drape 290 x 361 cm: • Conformable Circular Fenestration 3 cm, centered • Absorbent Reinforcement
89672	79694	1 Half Drape 112 x 150 cm

HALYARD BASICS* HAND & FOOT PACK

CODE	DESCRIPTION	ITEMS/CASE
88909	HALYARD BASICS* Hand & Foot Pack	10
STERILE	NON-STERILE	CONTENTS
88673	78669	1 Back Table Cover, Zone Reinforced 152 x 191 cm
47348	-	1 Mayo Stand Cover, Zone Reinforced 80 x 144 cm
89673	-	1 Hand & Foot Drape 180 x 300 cm: • Conformable Circular Fenestration 3 cm, centered • Spunbond Film
89672	79694	1 Half Drape 112 x 150 cm
-	-	1 Tape Strip 10 x 55 cm

HALYARD BASICS* HAND & FOOT PACK II

CODE	DESCRIPTION	ITEMS/CASE
89685	HALYARD BASICS* Hand & Foot Pack II	10
STERILE	NON-STERILE	CONTENTS
88673	78669	1 Back Table Cover, Zone Reinforced 152 x 191 cm
89673	-	1 Hand & Foot Drape 180 x 300 cm: • Conformable Circular Fenestration 3 cm, centered • Spunbond Film
89672	79694	1 Half Drape 112 x 150 cm
-	-	1 Tape Strip 10 x 55 cm

All codes in **bold** indicate a sterile product.

See Back Cover for Trademark Information

ORTHOPAEDIC PACKS

ARTHROSCOPY PACK II

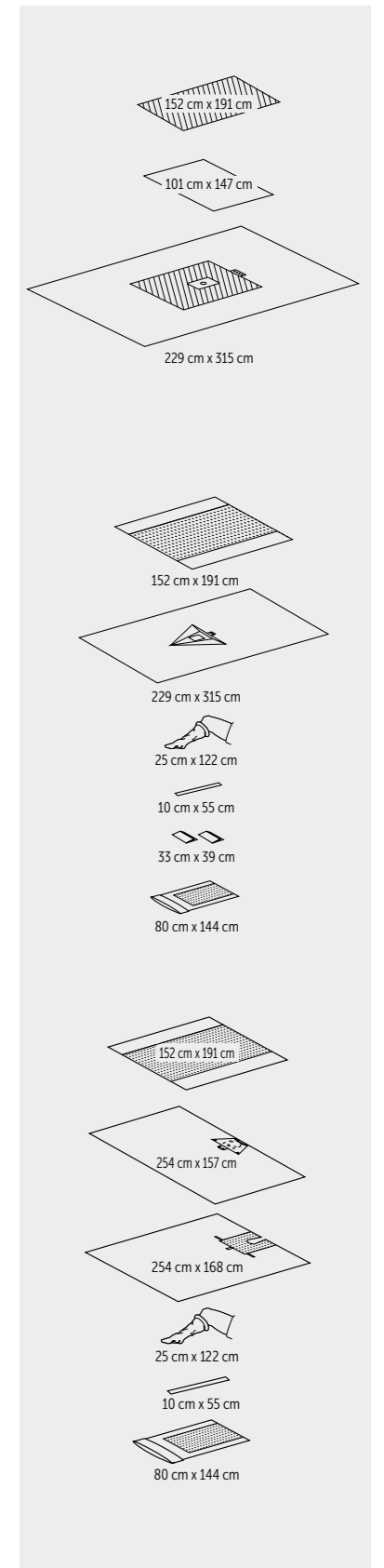
CODE	DESCRIPTION	ITEMS/CASE
77881	Arthroscopy Pack II	10
STERILE	NON-STERILE	CONTENTS
-	-	1 Sterilisation Wrap 89 x 89 cm
42222	42428	1 Back Table Cover, Reinforced 152 x 191 cm
47614	47616	1 Half Drape 101 x 147 cm
89279	79279	1 Universal Lower Extremity Drape 229 x 315 cm: • Conformable Circular Fenestration 6 cm • CONTROL* Plus Fabric Reinforcement • Tube Holders

HALYARD BASICS* ARTHROSCOPIC CRUCIATE LIGAMENT (ACL) PACK

CODE	DESCRIPTION	ITEMS/CASE
88907	HALYARD BASICS* Arthroscopic Cruciate Ligament (ACL) Pack	5
STERILE	NON-STERILE	CONTENTS
88673	78669	1 Back Table Cover, Zone Reinforced 152 x 191 cm
47348	-	1 Mayo Stand Cover, Zone Reinforced 80 x 144 cm
-	-	1 Knee Arthroscopy Drape 229 x 315 cm
-	-	1 Stockinette Medium 25 x 122 cm
-	-	1 Tape Strip 10 x 55 cm
-	-	2 Absorbent Towels 33 x 39 cm

HALYARD BASICS* SHOULDER ARTHROSCOPY PACK

CODE	DESCRIPTION	ITEMS/CASE
88908	HALYARD BASICS* Shoulder Arthroscopy Pack	5
STERILE	NON-STERILE	CONTENTS
88673	78669	1 Back Table Cover, Zone Reinforced 152 x 191 cm
47348	-	1 Mayo Stand Cover, Zone Reinforced 80 x 144 cm
-	-	1 Shoulder Arthroscopy Drape 254 x 157 cm: • Fluid Collection Pouch • 10 x 53 cm Split
-	-	1 Shoulder Split Drape 254 x 168 cm: • 10 x 53 cm Split
-	-	1 Stockinette Medium 25 x 122 cm
-	-	1 Tape Strip 10 x 55 cm



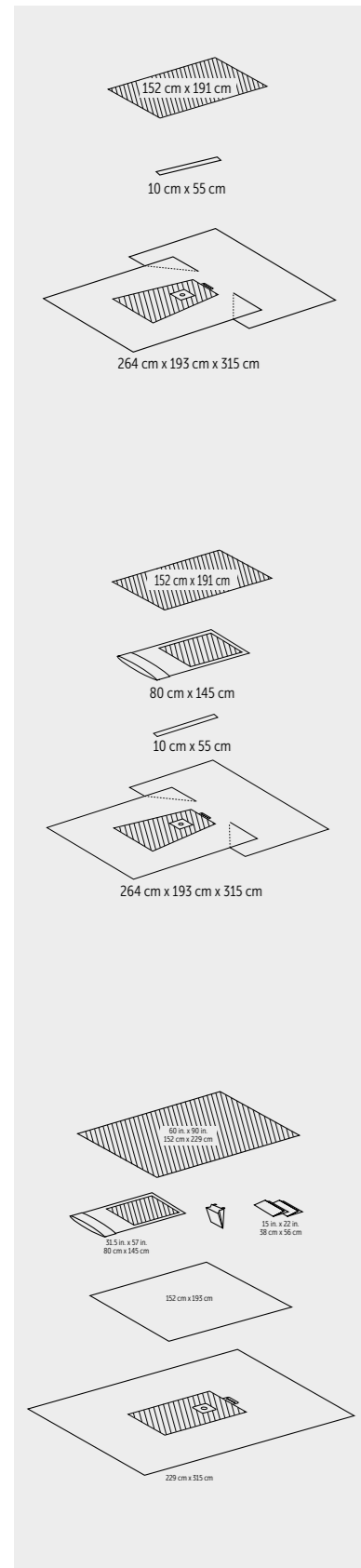
All codes in **bold** indicate a sterile product.

See Back Cover for Trademark Information

Orthopaedic Packs 47

ORTHOPAEDIC PACKS

ORTHOPAEDIC PACKS



LOWER EXTREMITY PACK I

CODE	DESCRIPTION	ITEMS/CASE
77790	Lower Extremity Pack I	13
STERILE	NON-STERILE	CONTENTS
-	-	1 Sterilisation Wrap 89 x 89 cm
42222	42428	1 Back Table Cover, Reinforced 152 x 191 cm
89053	79053	1 Tape Strip 10 x 55 cm
-	13232 (handi-bin)	1 Extremity Drape 264 x 193 x 315cm: <ul style="list-style-type: none"> • Conformable Circular Fenestration 6 cm • Armboard Covers • CONTROL⁺ Plus Fabric Reinforcement • Tube Holders

LOWER EXTREMITY PACK II

CODE	DESCRIPTION	ITEMS/CASE
77798	Lower Extremity Pack II	9
STERILE	NON-STERILE	CONTENTS
-	-	1 Sterilisation Wrap 89 x 89 cm
42222	42428	1 Back Table Cover, Reinforced 152 x 191 cm
89603	79603	1 Mayo Stand Cover, 80 x 145 cm
89053	79053	1 Tape Strip 10 x 55 cm
-	13232 (handi-bin)	1 Extremity Drape 264 x 193 x 315cm: <ul style="list-style-type: none"> • Conformable Circular Fenestration 6 cm • Armboard Covers • CONTROL⁺ Plus Fabric Reinforcement • Tube Holders

LOWER EXTREMITY PACK

CODE	DESCRIPTION	ITEMS/CASE
59706	Lower Extremity Pack	6
STERILE	NON-STERILE	CONTENTS
-	42451	1 Back Table Cover, Reinforced 152 x 229 cm
89603	79603	1 Mayo Stand Cover 80 x 145 cm
-	-	1 Suture Bag
89701	79720	1 Absorbent Towel 38 x 56 cm
-	-	1 Large Drape 152 x 193 cm
89279	79279	1 Universal Extremity Drape <ul style="list-style-type: none"> • Conformable Circular Fenestration 6 cm • CONTROL⁺ Plus Fabric Reinforcement • Tube Holders

All codes in **bold** indicate a sterile product.

See Back Cover for Trademark Information

LOWER EXTREMITY PACK

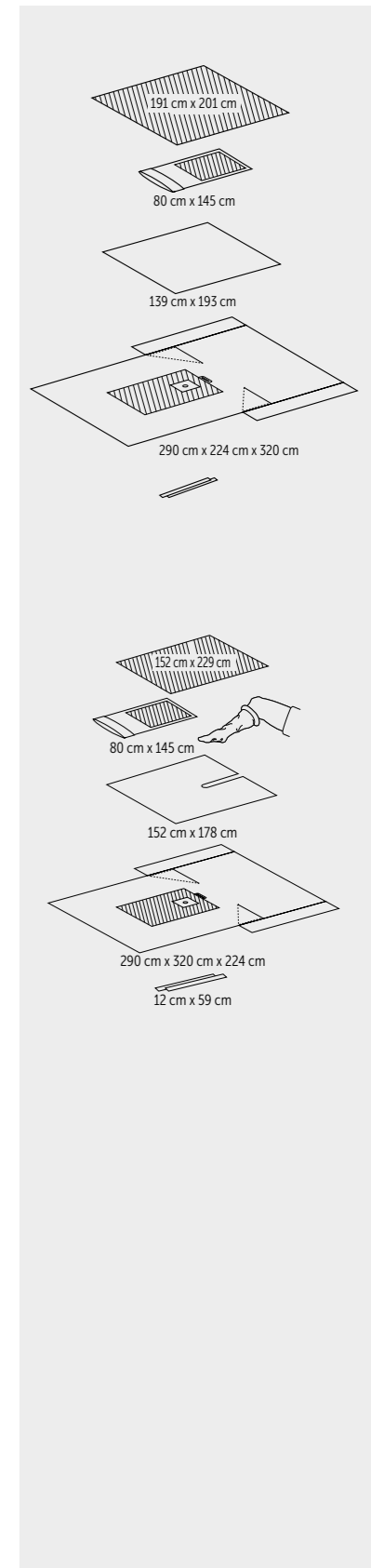
CODE	DESCRIPTION	ITEMS/CASE
76246	Lower Extremity Pack	5
STERILE	NON-STERILE	CONTENTS
42312	42313	1 Back Table Cover, Reinforced 191 x 201 cm
89603	79603	1 Mayo Stand Cover 80 x 145 cm
47622	47623	1 Large Drape 139 x 193 cm
89053	79053	2 Tape Strips 10 x 55 cm
89278	-	1 ORTHOARTS ⁺ Lower Extremity Drape 290 x 224 x 320 cm <ul style="list-style-type: none"> • Conformable Circular Fenestration 6 cm • Armboard Covers • CONTROL⁺ Plus Fabric Reinforcement • Tube Holders • Heavy Duty Fabric

ORTHOARTS⁺ PACK VII

CODE	DESCRIPTION	ITEMS/CASE
88203	ORTHOARTS ⁺ Pack VII	3
STERILE	NON-STERILE	CONTENTS
42224	42451	1 Back Table Cover, Reinforced 152 x 229 cm
89603	79603	1 Mayo Stand Cover 80 x 145 cm
89811	-	1 Impervious Stockinette, Medium 23 x 112 cm
89331	79330	1 Impervious Split Drape 152 x 178 cm: <ul style="list-style-type: none"> • 10 x 53 cm Split • Positioning Tape
89278	13233 (handi-bin)	1 ORTHOARTS ⁺ Lower Extremity Drape 290 x 320 x 224 cm: <ul style="list-style-type: none"> • Conformable Circular Fenestration 6 cm • Armboard Covers • CONTROL⁺ Plus Fabric Reinforcement • Tube Holders • Heavy Duty Fabric
-	-	2 Iso-Seal Tape Strips 12 x 59 cm

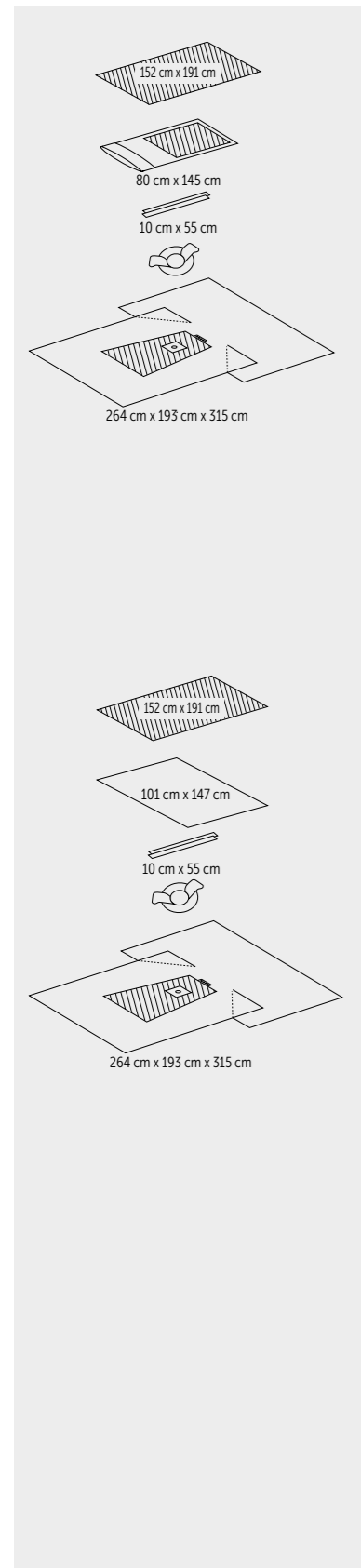
All codes in **bold** indicate a sterile product.

See Back Cover for Trademark Information



Orthopaedic Packs 49

ORTHOPAEDIC PACKS



KNEE PACK I

CODE	DESCRIPTION	ITEMS/CASE
77784	Knee Pack I	9
STERILE	NON-STERILE	CONTENTS
-	-	1 Sterilisation Wrap 89 x 89 cm
42222	42428	1 Back Table Cover, Reinforced 152 x 191 cm
89603	79603	1 Mayo Stand Cover 80 x 145 cm
89053	79053	2 Tape Strips 10 x 55 cm
89861	79861	1 Impervious Stretchable Stockinette, Small 17 x 76 cm
-	13232 (handi-bin)	1 Extremity Drape 264 x 193 x 315cm: <ul style="list-style-type: none"> • Conformable Circular Fenestration 6 cm • Armboard Covers • CONTROL[®] Plus Fabric Reinforcement • Tube Holders

KNEE PACK II

CODE	DESCRIPTION	ITEMS/CASE
77785	Knee Pack II	7
STERILE	NON-STERILE	CONTENTS
-	-	1 Sterilisation Wrap 89 x 89 cm
42222	42428	1 Back Table Cover, Reinforced 152 x 191 cm
47614	47616	1 Half Drape 101 x 147 cm
89053	79053	2 Tape Strips 10 x 55 cm
89861	79861	1 Impervious Stretchable Stockinette, Small 17 x 76 cm
-	13232 (handi-bin)	1 Extremity Drape 264 x 193 x 315cm: <ul style="list-style-type: none"> • Conformable Circular Fenestration 6 cm • Armboard Covers • CONTROL[®] Plus Fabric Reinforcement • Tube Holders

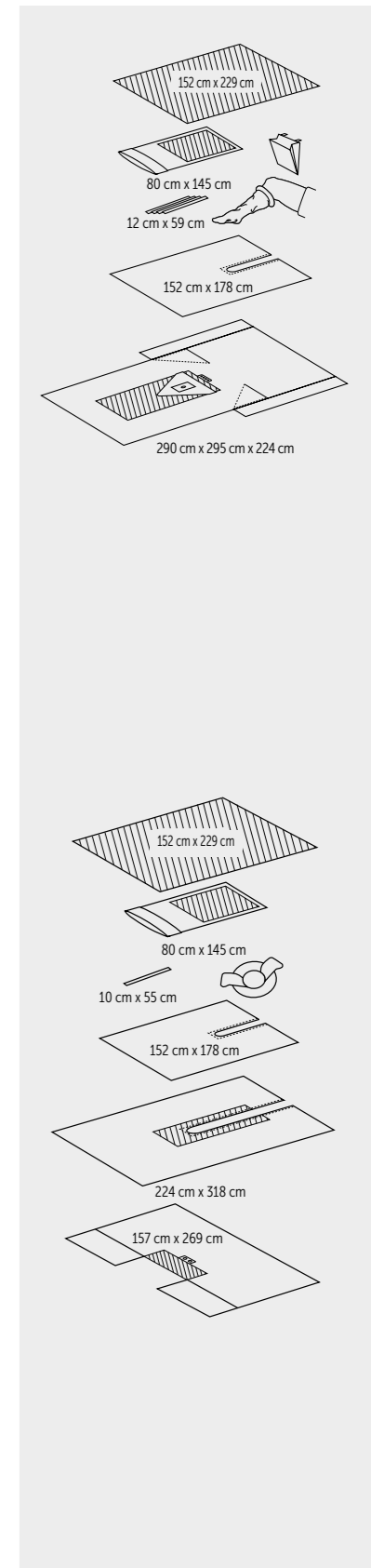
All codes in **bold** indicate a sterile product.

See Back Cover for Trademark Information

ORTHOPAEDIC PACKS

ORTHOARTS[®] ARTHROSCOPY PACK II

CODE	DESCRIPTION	ITEMS/CASE
88213	ORTHOARTS [®] Arthroscopy Pack II	4
STERILE	NON-STERILE	CONTENTS
42224	42451	1 Back Table Cover, Reinforced 152 x 229 cm
89603	79603	1 Mayo Stand Cover 80 x 145 cm
-	-	1 Suture Bag
-	-	4 Iso-Seal Tape Strips 12 x 59 cm
89821	-	1 Impervious Stockinette, Large 30 x 122 cm
89331	79330	1 Impervious Split Drape 152 x 178 cm: <ul style="list-style-type: none"> • 10 x 53 cm Split • Positioning Tape
89267	79267	1 ORTHOARTS [®] Knee Arthroscopy Drape 290 x 295 x 224 cm: <ul style="list-style-type: none"> • Heavy Duty Fabric • Fluid Collection Pouch with Reflux Shields and Suction Port • Armboard Covers • CONTROL[®] Plus Fabric Reinforcement • Tube Holders



HIP PACK

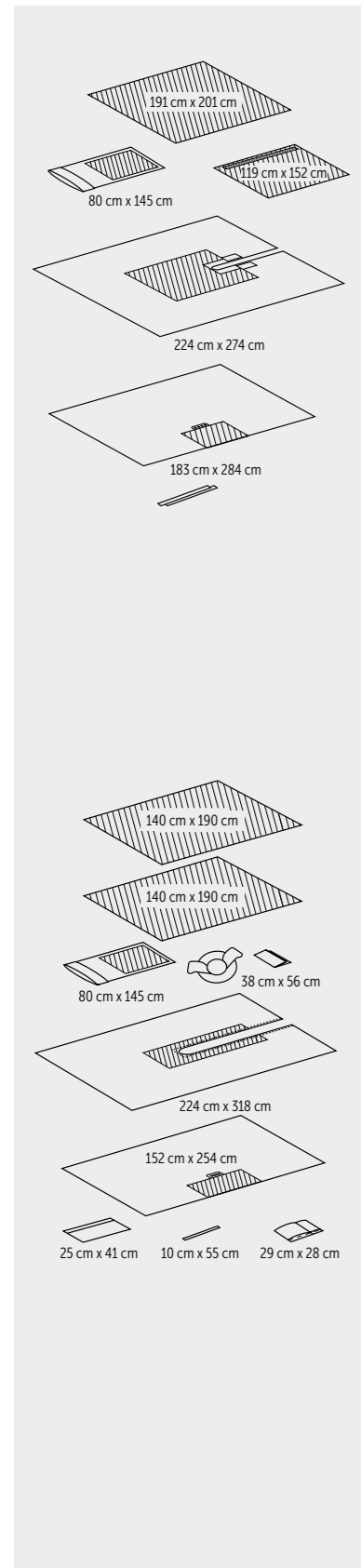
CODE	DESCRIPTION	ITEMS/CASE
77797	Hip Pack	4
STERILE	NON-STERILE	CONTENTS
-	-	1 Sterilisation Wrap 96 x 96 cm
42224	42451	1 Back Table Cover, Reinforced 152 x 229 cm
89603	79603	1 Mayo Stand Cover 80 x 145 cm
89053	79053	1 Tape Strip 10 x 55 cm
89881	79881	1 Impervious Stretchable Stockinette, Large 25 x 121 cm
89331	79330	1 Impervious Split Drape 152 x 178 cm: <ul style="list-style-type: none"> • 10 x 53 cm Split • Positioning Tape
-	76368	1 Ortho U-Drape 224 x 318 cm: <ul style="list-style-type: none"> • 15 x 137 cm Split • Positioning Tape • CONTROL[®] Plus Fabric Reinforcement
-	76363	1 Bar Drape 157 x 269 cm: <ul style="list-style-type: none"> • Armboard Covers • Positioning Tape • CONTROL[®] Plus Fabric Reinforcement • Tube Holders

All codes in **bold** indicate a sterile product.

See Back Cover for Trademark Information

ORTHOPAEDIC PACKS

ORTHOPAEDIC PACKS



HIP PACK

CODE	DESCRIPTION	ITEMS/CASE
76249	Hip Pack	5
STERILE	NON-STERILE	CONTENTS
42312	42313	1 Back Table Cover, Reinforced 191 x 201 cm
89603	79603	1 Mayo Stand Cover 80 x 145 cm
-	-	1 Drape 119 x 152 cm • CONTROL [®] Plus Fabric Reinforcement
-	-	1 ORTHOARTS [®] U-Drape 224 x 274 cm • 12 x 101 cm Split • CONTROL [®] Plus Fabric Reinforcement • Positioning Tape • Heavy Duty Fabric
89348	79348	1 ORTHOARTS [®] Bar Drape 183 x 284 cm • Heavy Duty Fabric • CONTROL [®] Plus Fabric Reinforcement • Positioning Tape • Tube Holders

HIP PACK I

CODE	DESCRIPTION	ITEMS/CASE
76271	Hip Pack I	6
STERILE	NON-STERILE	CONTENTS
42345	-	2 Back Table Covers, Reinforced 140 x 190 cm
89603	79603	1 Mayo Stand Cover 80 x 145 cm
89881	79881	1 Impervious Stretchable Stockinette, Large 25 x 121 cm
89701	79720	1 Absorbent Towel 38 x 56 cm
89311	79363	1 Ortho U-Drape 224 x 318 cm: • 15 x 137 cm Split • Positioning Tape • CONTROL [®] Plus Fabric Reinforcement
89381	79360	1 Ortho Bar Drape 152 x 254 cm: • Positioning Tape • CONTROL [®] Fabric Reinforcement • Tube Holders
-	-	1 Fluid Collection Pouch with Tape 25 x 41 cm
89053	79053	1 Tape Strip 10 x 55 cm
-	-	1 Diathermy Pouch 29 x 28 cm, Heavy Duty, Double Tape

All codes in **bold** indicate a sterile product.

See Back Cover for Trademark Information

ORTHOARTS[®] HIP PACK II

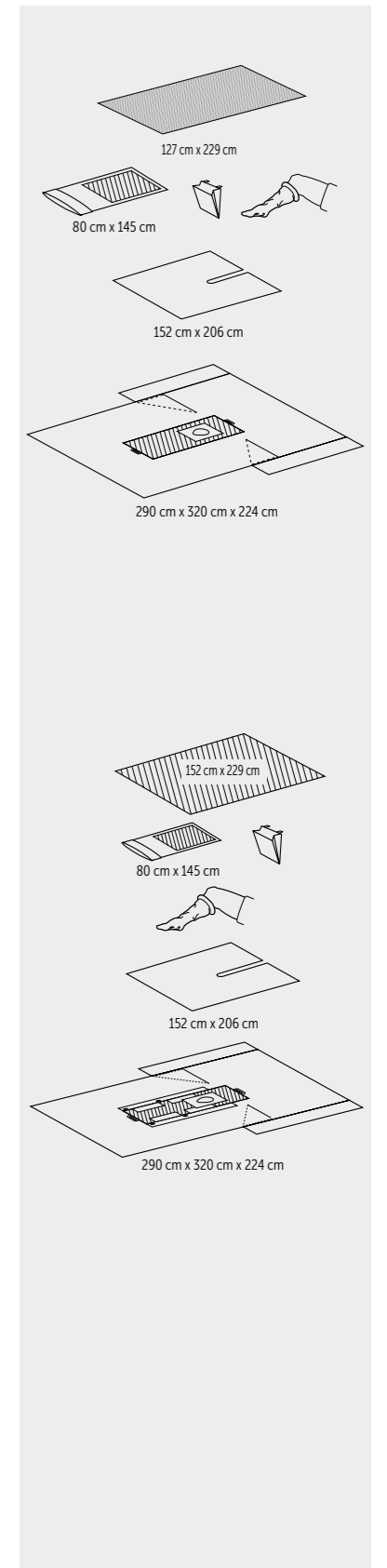
CODE	DESCRIPTION	ITEMS/CASE
88253	ORTHOARTS [®] Hip Pack II	4
STERILE	NON-STERILE	CONTENTS
-	42449	1 Back Table Cover, Reinforced 127 x 229 cm
89603	79603	1 Mayo Stand Cover 80 x 145 cm
-	-	1 Suture Bag
89821	-	1 Impervious Stockinette, Large 30 x 122 cm
-	79333	1 Large Impervious Split Drape 152 x 206 cm: • 11 x 78 cm Split • Positioning Tape
89346	79346	1 ORTHOARTS [®] Hip Drape 290 x 320 x 224 cm: • Heavy Duty Fabric • Armboard Covers • CONTROL [®] Plus Fabric Reinforcement • Tube Holders • Conformable Teardrop Fenestration

ORTHOARTS[®] HIP PACK

CODE	DESCRIPTION	ITEMS/CASE
88183	ORTHOARTS [®] Hip Pack	3
STERILE	NON-STERILE	CONTENTS
42224	42451	1 Back Table Cover, Reinforced 152 x 229 cm
89603	79603	1 Mayo Stand Cover 80 x 145 cm
-	-	1 Suture Bag
89821	-	1 Impervious Stockinette, Large 30 x 122 cm
-	79333	1 Large Impervious Split Drape 152 x 206 cm: • 11 x 78 cm Split • Positioning Tape
89345	79345	1 ORTHOARTS [®] Hip Drape with Pockets 290 x 320 x 224 cm: • Heavy Duty Fabric • Armboard Covers • CONTROL [®] Plus Fabric Reinforcement • Tube Holders • Pockets on both sides • Conformable Teardrop Fenestration

All codes in **bold** indicate a sterile product.

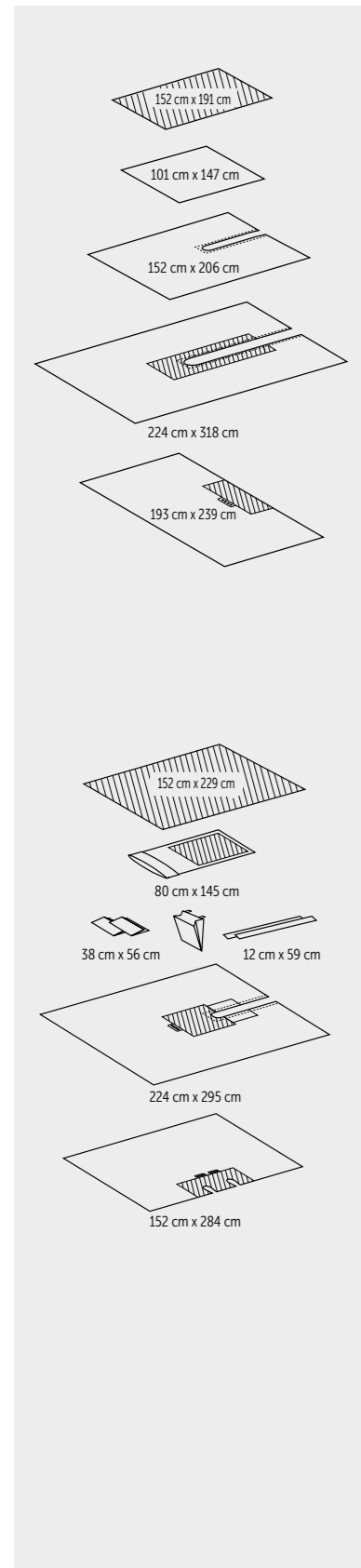
See Back Cover for Trademark Information



Orthopaedic Packs 53

ORTHOPAEDIC PACKS

ORTHOPAEDIC PACKS



ORTHO MAJOR PACK III

CODE	DESCRIPTION	ITEMS/CASE
88373	ORTHO Major Pack III	7
STERILE	NON-STERILE	CONTENTS
-	-	1 Sterilisation Wrap 115 x 115 cm
42222	42428	1 Back Table Cover, Reinforced 152 x 191 cm
47614	47616	1 Half Drape 101 x 147 cm
-	79333	1 Large Impervious Split Drape 152 x 206 cm: • 11 x 78 cm Split • Positioning Tape
-	76368	1 Ortho U-Drape 224 x 318 cm: • 15 x 137 cm Split • Positioning Tape • CONTROL [®] Plus Fabric Reinforcement
-	78961	1 Top Drape 193 x 239 cm: • Positioning Tape • CONTROL [®] Plus Fabric Reinforcement • Tube Holders

ORTHOARTS[®] SHOULDER PACK II

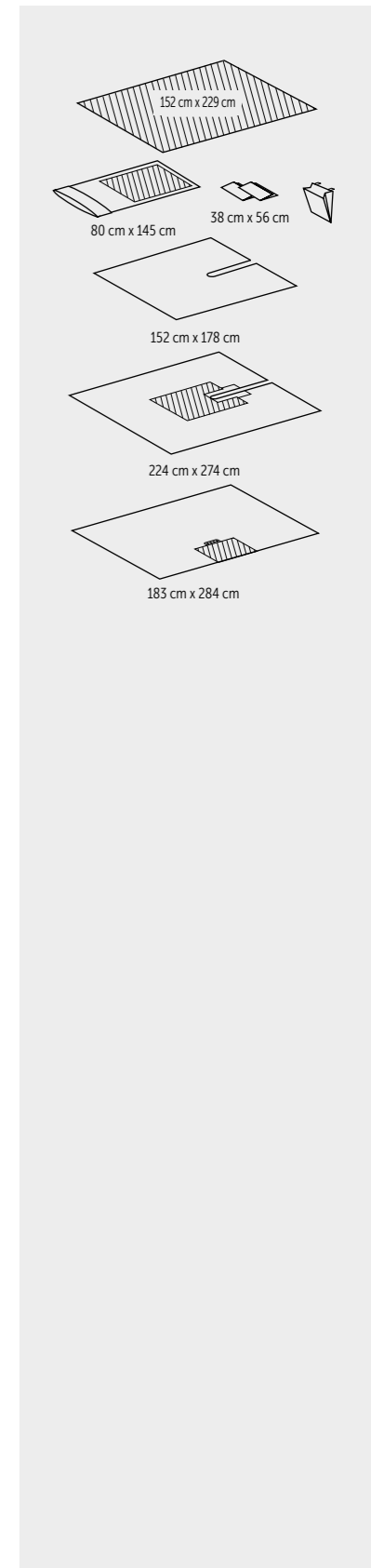
CODE	DESCRIPTION	ITEMS/CASE
88243	ORTHOARTS [®] Shoulder Pack II	5
STERILE	NON-STERILE	CONTENTS
42224	42451	1 Back Table Cover, Reinforced 152 x 229 cm
89603	79603	1 Mayo Stand Cover 80 x 145 cm
89701	79720	2 Absorbent Towels 38 x 56 cm
-	-	1 Suture Bag
-	-	2 Iso-Seal Tape Strips 12 x 59 cm
89275	79275	1 ORTHOARTS [®] Body Split Drape 224 x 295 cm: • Heavy Duty Fabric • CONTROL [®] Plus Fabric Reinforcement • Positioning Tape • Tube Holders
-	-	1 ORTHOARTS [®] Shoulder Split Drape 152 x 284 cm: • Heavy Duty Fabric • CONTROL [®] Plus Fabric Reinforcement • 15 x 20 cm Bilateral Split • Positioning Tape • Tube Holders

All codes in **bold** indicate a sterile product.

See Back Cover for Trademark Information

ORTHOARTS[®] U-BAR[®] PACK

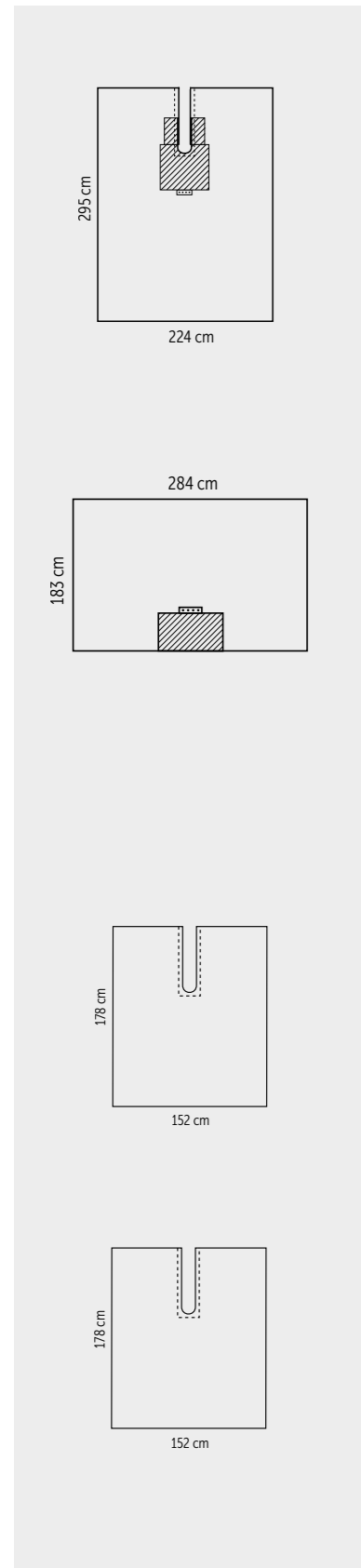
CODE	DESCRIPTION	ITEMS/CASE
88233	ORTHOARTS [®] U-BAR [®] Pack	4
STERILE	NON-STERILE	CONTENTS
42224	42451	1 Back Table Cover, Reinforced 152 x 229 cm
89603	79603	1 Mayo Stand Cover 80 x 145 cm
89701	79720	2 Absorbent Towels 38 x 56 cm
-	-	1 Suture Bag
89331	79330	1 Impervious Split Drape 152 x 178 cm: • 10 x 53 cm Split • Positioning Tape
-	13294 (handi-bin)	1 ORTHOARTS [®] U-Drape 224 x 274 cm: • Heavy Duty Fabric • CONTROL [®] Fabric Reinforcement • Positioning Tape
89348	79348	1 ORTHOARTS [®] Bar Drape 183 x 284 cm: • Heavy Duty Fabric • CONTROL [®] Fabric Reinforcement • Positioning Tape • Tube Holders



All codes in **bold** indicate a sterile product.

See Back Cover for Trademark Information

ORTHOPAEDIC DRAPES



ORTHOARTS* SPLIT / BAR DRAPES

ORTHOARTS* BODY SPLIT DRAPE, 224 X 295 CM

- 11 x 69 cm Split
- Heavy-Duty Fabric
- CONTROL* Plus Fabric Reinforcement 61 x 56 cm
- Tube Holders
- Positioning Tape

CODE	DESCRIPTION	ITEMS/CASE
89275	ORTHOARTS* Body Split Drape, Sterile	10
79275	ORTHOARTS* Body Split Drape, Non-Sterile	12

ORTHOARTS* BAR DRAPE, 284 X 183 CM

- Heavy-Duty Fabric
- CONTROL* Plus Fabric Reinforcement 41 x 61 cm
- Tube Holders
- Positioning Tape

CODE	DESCRIPTION	ITEMS/CASE
89348	ORTHOARTS* Bar Drape, Sterile	12
79348	ORTHOARTS* Bar Drape, Non-Sterile	14

IMPERVIOUS SPLIT DRAPES

IMPERVIOUS SPLIT DRAPE, 152 X 178 CM

- 10 x 53 cm Split
- Positioning Tape

CODE	DESCRIPTION	ITEMS/CASE
89331	Impervious Split Drape, Sterile	42
79330	Impervious Split Drape, Non-Sterile	115

HALYARD BASICS* IMPERVIOUS SPLIT DRAPE, 152 X 178 CM

- 10 x 53 cm Split
- Poly
- Positioning Tape

CODE	DESCRIPTION	ITEMS/CASE
78660	HALYARD BASICS* Impervious Split Drape, Non-Sterile	65

All codes in **bold** indicate a sterile product.

See Back Cover for Trademark Information

ORTHOPAEDIC DRAPES

LARGE IMPERVIOUS SPLIT DRAPE, 152 X 206 CM

- 11 x 78 cm Split
- Positioning Tape

CODE	DESCRIPTION	ITEMS/CASE
79333	Large Impervious Split Drape, Non-Sterile	100

SPLIT DRAPE, 150 X 230 CM

- 10 x 80 cm Split
- CONTROL* Plus Fabric Reinforcement 61 x 140 cm
- Positioning Tape

CODE	DESCRIPTION	ITEMS/CASE
K793210	Split Drape, Non-Sterile	180

EXTREMITY DRAPES

BILATERAL LIMB DRAPE, 193 X 305 CM

- CONTROL* Plus Fabric Reinforcement 102 x 81 cm
- Two Conformable Circular Fenestrations, 6 cm
- Tube Holders

CODE	DESCRIPTION	ITEMS/CASE
89291	Bilateral Limb Drape, Sterile	14

LOWER EXTREMITY DRAPES

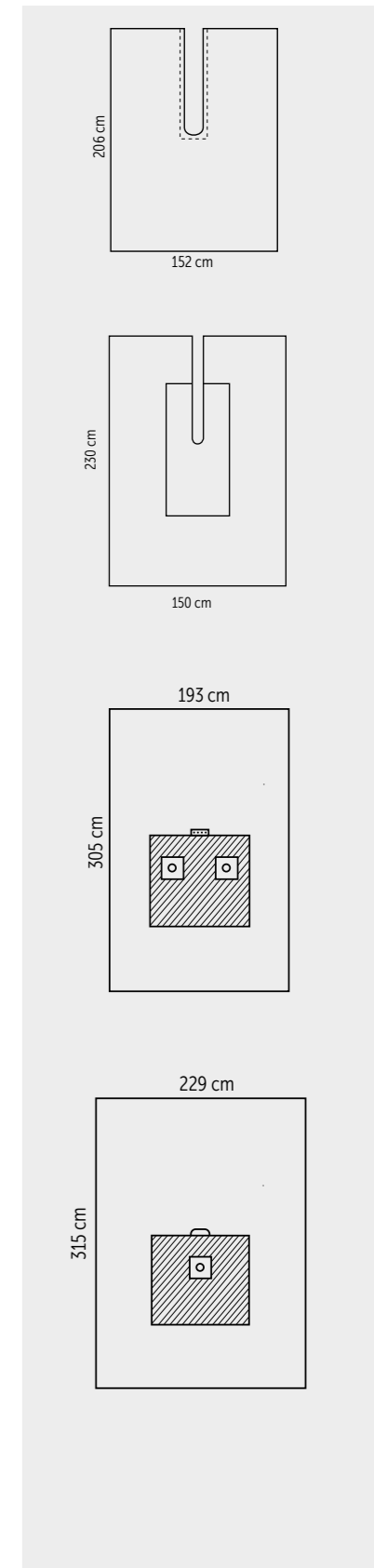
UNIVERSAL EXTREMITY DRAPE, 229 X 315 CM

- CONTROL* Plus Fabric Reinforcement 122 x 71 cm
- Conformable Circular Fenestration 6 cm
- Tube Holders

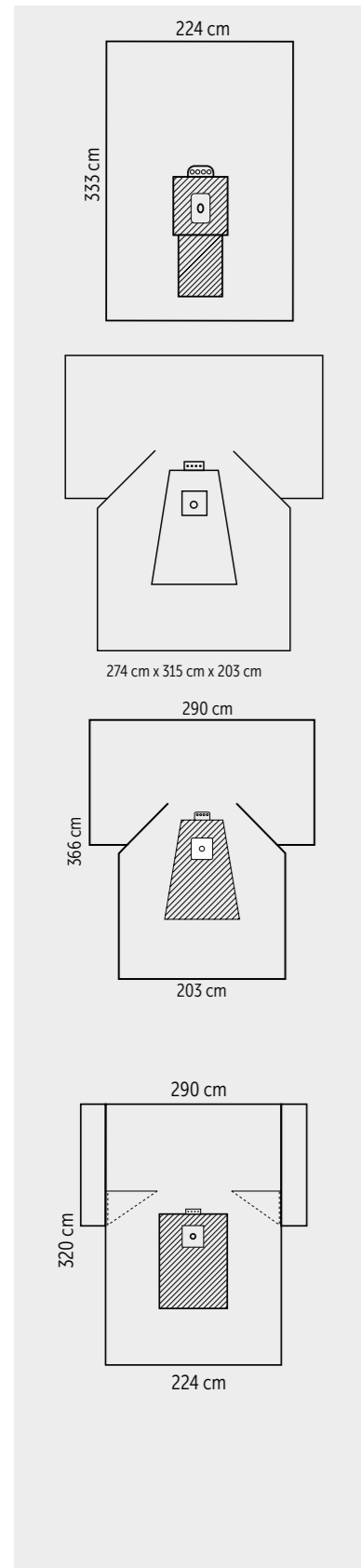
CODE	DESCRIPTION	ITEMS/CASE
89279	Universal Extremity Drape, Sterile	14
79279	Universal Extremity Drape, Non-Sterile	150

All codes in **bold** indicate a sterile product.

See Back Cover for Trademark Information



ORTHOAEDIC DRAPES



LOWER EXTREMITY DRAPE, 224 X 333 CM

- CONTROL[®] Plus Fabric Reinforcement 81 x 81 cm
- Conformable Circular Fenestration 6 cm
- Tube Holders

CODE	DESCRIPTION	ITEMS/CASE
89276	Lower Extremity Drape, Sterile	14
13228	Lower Extremity Drape, Non-Sterile - handi-bin	192

LOWER EXTREMITY DRAPE, 274 X 315 X 203 CM

- CONTROL[®] Plus Fabric Reinforcement 51 x 91 x 122 cm
- Circular Fenestration 6 cm

CODE	DESCRIPTION	ITEMS/CASE
13232	Lower Extremity Drape, Non-Sterile	130

LOWER EXTREMITY DRAPE, 289 X 203 X 365 CM

- CONTROL[®] Plus Fabric Reinforcement 51 x 91 x 122 cm
- Circular Fenestration 6 cm
- SMS Fabric

CODE	DESCRIPTION	ITEMS/CASE
29222	Extra-Long Extremity Drape	13
29223NS	Extra-Long Extremity Drape	14

ORTHOARTS[®] LOWER EXTREMITY DRAPE, 290 X 320 X 224 CM

- Armboard Covers
- Conformable Circular Fenestration 6 cm
- Heavy-Duty Fabric
- CONTROL[®] Plus Fabric Reinforcement 91 x 122 cm
- Tube Holders

CODE	DESCRIPTION	ITEMS/CASE
89278	ORTHOARTS [®] Lower Extremity Drape, Sterile	7
13233	ORTHOARTS [®] Lower Extremity Drape, Non-Sterile - handi-bin	84

All codes in **bold** indicate a sterile product.

See Back Cover for Trademark Information

ORTHOAEDIC DRAPES

ORTHOARTS[®] EXTRA LONG LOWER EXTREMITY DRAPE, 289 X 381 X 223 CM

- Heavy-duty SMS
- Absorbent CONTROL[®] Plus fabric reinforcement
- Elastic film with 6 cm circular fenestration
- Armboard covers
- Tube holders
- Extra length for coverage where needed

CODE	DESCRIPTION	ITEMS/CASE
29219	ORTHOARTS [®] Extra Long Lower Extremity Drape, Sterile	8
29220	ORTHOARTS [®] Extra Long Lower Extremity Drape, Non-Sterile	8

EXTRA LONG LOWER EXTREMITY DRAPE, 290 X 366 X 203 CM

- Heavy-duty SMS
- Absorbent CONTROL[®] Plus fabric reinforcement
- Elastic film with 6 cm circular fenestration
- Armboard covers
- Tube holders
- Extra length for coverage where needed

CODE	DESCRIPTION	ITEMS/CASE
29223	Extra Long Lower Extremity Drape, Non-Sterile	14

UPPER EXTREMITY DRAPES

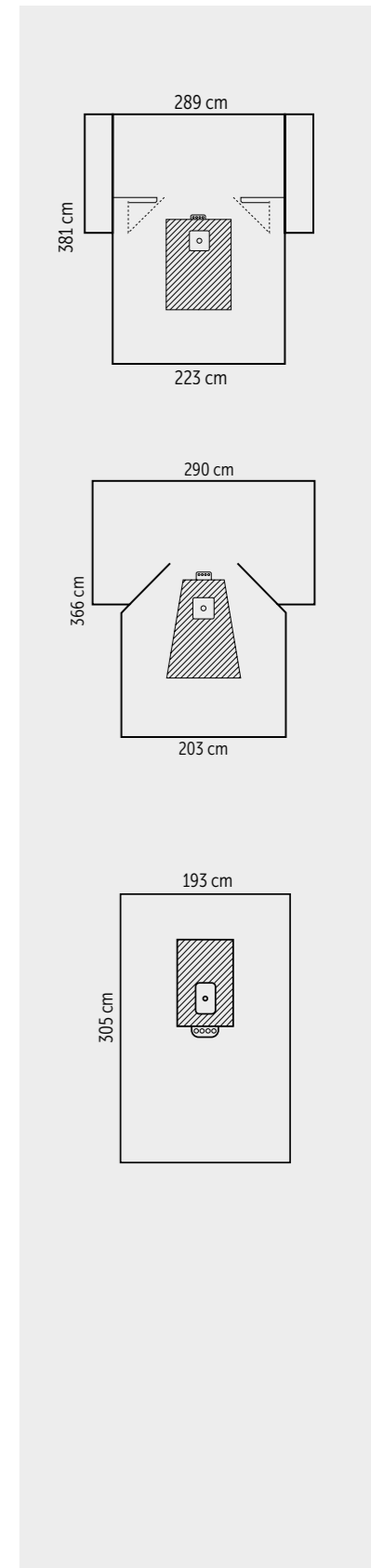
UPPER EXTREMITY DRAPE, 193 X 305 CM

- CONTROL[®] Plus Fabric Reinforcement 61 x 102 cm
- Conformable Circular Fenestration 3 cm
- Tube Holders

CODE	DESCRIPTION	ITEMS/CASE
89271	Upper Extremity Drape, Sterile	14
79273	Upper Extremity Drape, Non-Sterile	20

All codes in **bold** indicate a sterile product.

See Back Cover for Trademark Information

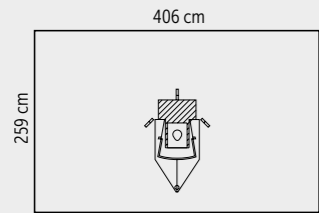


Orthopaedic Drapes 59

ORTHOPAEDIC DRAPES

ORTHOPAEDIC DRAPES

SHOULDER DRAPES



SHOULDER ARTHROSCOPY DRAPE, 406 X 259 CM

- Attached Fluid Collection Pouch with Suction Port
- Hook and Loop Tube and Line Control
- Conformable Tear Drop Fenestration 6 cm
- Instrument Pad Fabric Reinforcement 53 x 66 cm

CODE	DESCRIPTION	ITEMS/CASE
89070	Shoulder Arthroscopy Drape, Sterile	10
79070	Shoulder Arthroscopy Drape, Non-Sterile	12

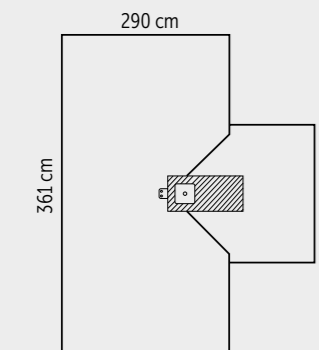
ORTHOARTS* SHOULDER ARTHROSCOPY DRAPE, 254 X 152 CM

- Attached Fluid Collection Pouch with Suction Ports
- Heavy-Duty Fabric
- Positioning Tape



CODE	DESCRIPTION	ITEMS/CASE
89492	ORTHOARTS* Shoulder Arthroscopy Drape, Sterile	12
79492	ORTHOARTS* Shoulder Arthroscopy Drape, Non-Sterile	15

HAND DRAPES



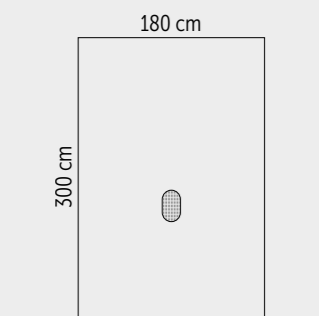
HAND DRAPE, 290 X 361 CM

- CONTROL* Plus Fabric Reinforcement 86 x 41 cm
- Conformable Circular Fenestration 3 cm
- Gusseted Hand Table Cover 157 x 147 cm
- Tube Holders
- Positioning Tape

CODE	DESCRIPTION	ITEMS/CASE
77450	Hand Drape, Sterile	11
13227	Hand Drape, Non-Sterile - handi-bin	108

HALYARD BASICS* HAND & FOOT DRAPE, 180 X 300 CM

- Conformable Circular Fenestration 3 cm, centered
- Spunbond Film



CODE	DESCRIPTION	ITEMS/CASE
89673	HALYARD BASICS* Hand & Foot Drape, Sterile	20
79695	HALYARD BASICS* Hand & Foot Drape, Non-Sterile	30

All codes in **bold** indicate a sterile product.

See Back Cover for Trademark Information

HIP DRAPES

ORTHOARTS* HIP DRAPE, 290 X 320 X 224 CM

- Armboard Covers
- Conformable Teardrop Fenestration 21 x 17 cm
- Heavy-Duty Fabric
- CONTROL* Plus Fabric Reinforcement 152 x 61 cm
- Tube Holders

CODE	DESCRIPTION	ITEMS/CASE
89346	ORTHOARTS* Hip Drape, Sterile	7
79346	ORTHOARTS* Hip Drape, Non-Sterile	7

ORTHOARTS* HIP DRAPE WITH POCKETS, 290 X 320 X 224 CM

- Pockets on Both Sides
- Armboard Covers
- Conformable Teardrop Fenestration 21 x 17 cm
- Heavy-Duty Fabric
- CONTROL* Plus Fabric Reinforcement 61 x 152 cm
- Tube Holders

CODE	DESCRIPTION	ITEMS/CASE
89345	ORTHOARTS* Hip Drape with Pockets, Sterile	6
79345	ORTHOARTS* Hip Drape with Pockets, Non-Sterile	6

ANTERIOR HIP DRAPE WITH LEGGINGS, 401 X 231 CM

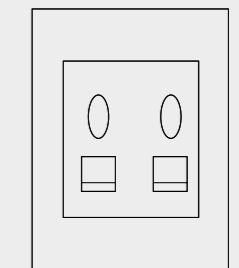
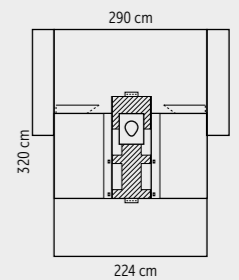
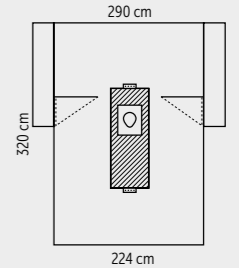
- Main Drape size : 401 x 231 cm
- Reinforcement size : 137 x 122 cm
- Fenestration size : 15 x 28 cm each one
- Basis weight: Thickness of base material: 78 GSM Tri-lamination Fabric
- High performance fabric as defined by EN 13795:2011
- Test results as per EN13795 available upon request

CODE	DESCRIPTION	ITEMS/CASE
K893462	Anterior Hip drape with leggings, Sterile	12
K793462	Anterior Hip drape with leggings, Non-Sterile	14

Nota Bene: new anterior hip drape with incise film is under development

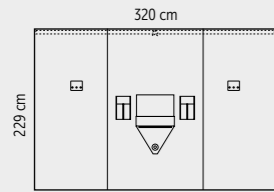
All codes in **bold** indicate a sterile product.

See Back Cover for Trademark Information



ORTHOPAEDIC DRAPES

ORTHOPAEDIC DRAPES

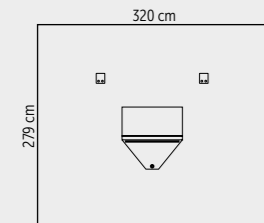


VERTICAL ISOLATION DRAPES

VERTICAL ISOLATION DRAPE, 320 X 229 CM

- Clear Film
- Adhesive Incise Area 41 x 76 cm
- Fluid Collection Pouch with Suction Port
- Tube Holders
- With Tape Strip for Attachment to Horizontal Rod
- Attachable Instrument Pouch

CODE	DESCRIPTION	ITEMS/CASE
77723	Vertical Isolation Drape, Sterile	14
76375	Vertical Isolation Drape, Non-Sterile	15



VERTICAL ISOLATION DRAPE, 320 X 279 CM

- Clear Film
- Adhesive Incise Area
- Fluid Collection Pouch with Suction Port
- Tube Holders
- With Tape Strip for Attachment to Horizontal Rod

CODE	DESCRIPTION	ITEMS/CASE
33415	Vertical Isolation Drape, Sterile	9
33412	Vertical Isolation Drape, Non-Sterile	11

KNEE ARTHROSCOPY DRAPES

KNEE ARTHROSCOPY DRAPE, 229 X 315 CM

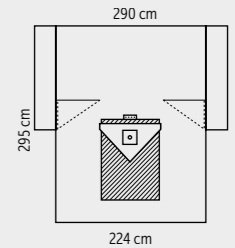
- Attached Fluid Collection Pouch with Suction Port
- Conformable Circular Fenestration 6 cm
- Tube Holders

CODE	DESCRIPTION	ITEMS/CASE
89265	Knee Arthroscopy Drape, Sterile	10
79265	Knee Arthroscopy Drape, Non-Sterile	150

ORTHOARTS* KNEE ARTHROSCOPY DRAPE, 290 X 295 X 224 CM

- Armboard Covers
- Fluid Collection Pouch with Reflux Shields and Suction Port
- Heavy-Duty Fabric
- CONTROL* Plus Fabric Reinforcement 91 x 121 cm
- Tube Holders

CODE	DESCRIPTION	ITEMS/CASE
89267	ORTHOARTS* Knee Arthroscopy Drape, Sterile	7
79267	ORTHOARTS* Knee Arthroscopy Drape, Non-Sterile	7

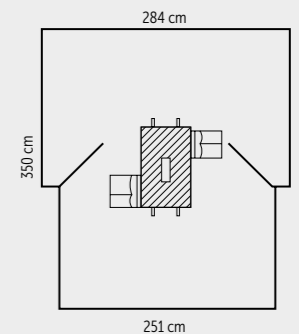


UNIVERSAL SPINE DRAPES

UNIVERSAL SPINE DRAPE, 284 X 350 X 251 CM

- SMS
- Absorbent CONTROL* Plus fabric reinforcement
- 10 x 30 cm fenestration
- Armboard covers
- Hook-n-loop tube holders
- Clear instrument pouch

CODE	DESCRIPTION	ITEMS/CASE
29221	Universal Spine Drape, Sterile	8
29224	Universal Spine Drape, Non-Sterile	9



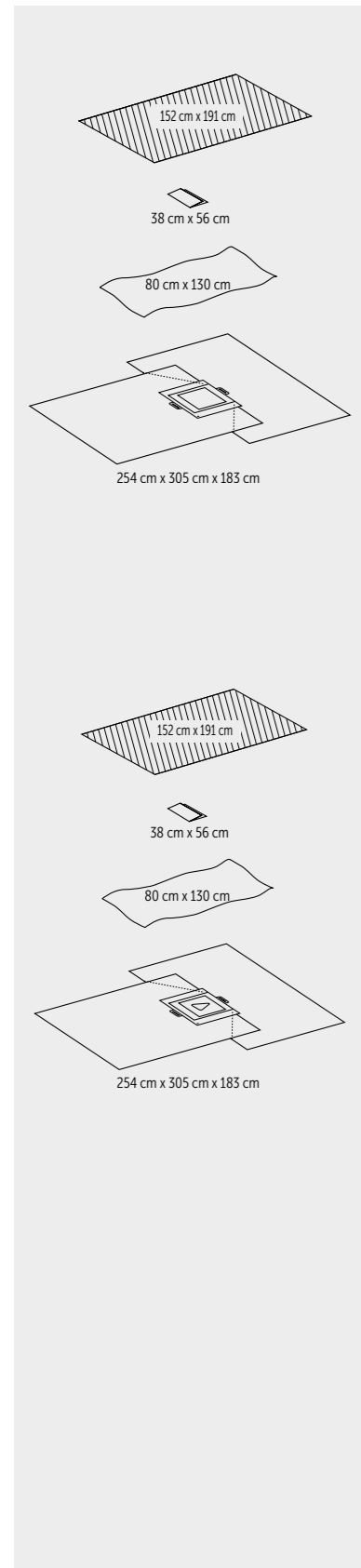
All codes in **bold** indicate a sterile product.

All codes in **bold** indicate a sterile product.

GYNAECOLOGY & OBSTETRICS

GYNAECOLOGY & OBSTETRICS PACKS

GYNAECOLOGY & OBSTETRICS PACKS



C-SECTION PACK I

CODE	DESCRIPTION	ITEMS/CASE
77454	C-Section Pack I	9
STERILE	NON-STERILE	CONTENTS
-	-	1 Sterilisation Wrap 96 x 96 cm
42222	42428	1 Back Table Cover, Reinforced 152 x 191 cm
89701	79720	1 Absorbent Towel 38 x 56 cm
-	76394	1 Baby Blanket 80 x 130 cm: • Absorbent
89529	79529	1 C-Section Fluid Collection Drape 254 x 305 x 183 cm: • Full Adhesive Incise Area • Fluid Collection Pouch with Suction Port and Malleable Band • Armboard Covers • Tube Holders

C-SECTION PACK II

CODE	DESCRIPTION	ITEMS/CASE
77455	C-Section Pack II	8
STERILE	NON-STERILE	CONTENTS
-	-	1 Sterilisation Wrap 96 x 96 cm
42222	42428	1 Back Table Cover, Reinforced 152 x 191 cm
89701	79720	1 Absorbent Towel 38 x 56 cm
-	76394	1 Baby Blanket 80 x 130 cm: • Absorbent
89528	79528	1 C-Section Fluid Collection Drape 254 x 305 x 183 cm: • Triangular Fenestrated Adhesive Incise Area • Fluid Collection Pouch with Suction Port and Malleable Band • Armboard Covers • Tube Holders

All codes in **bold** indicate a sterile product.

See Back Cover for Trademark Information

C-SECTION PACK III

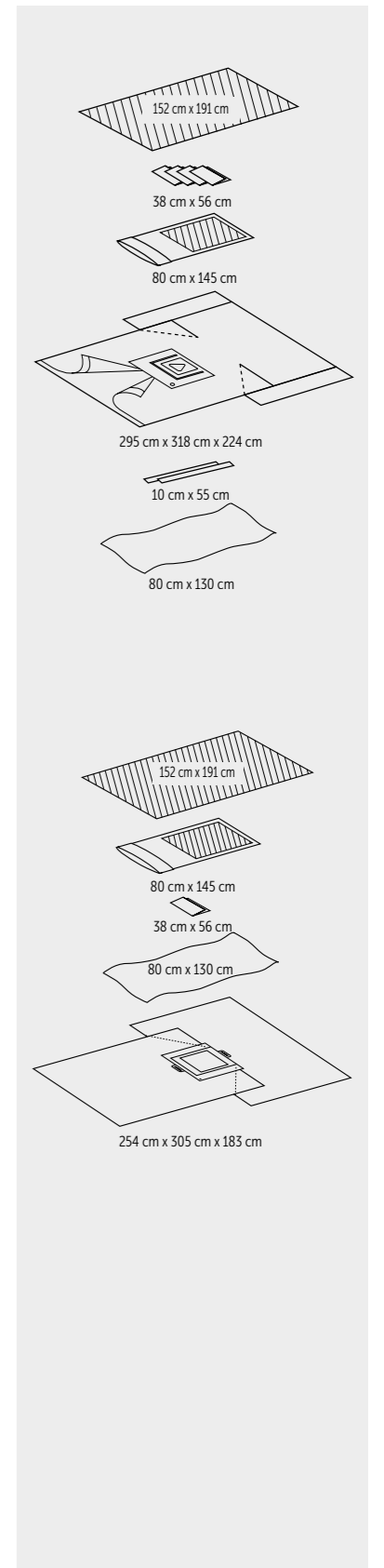
CODE	DESCRIPTION	ITEMS/CASE
88354	C-Section Pack III	11
STERILE	NON-STERILE	CONTENTS
42222	42428	1 Back Table Cover, Reinforced 152 x 191 cm
89603	79603	1 Mayo Stand Cover 80 x 145 cm
89701	79720	4 Absorbent Towels 38 x 56 cm
77353	76353	1 C-Section Drape with Attached Leggings 295 x 318 x 224 cm: • Armboard Covers • Attached Leggings • 36 x 33 cm Adhesive Incise Area with Triangular Fenestration • Fluid Collection Pouch with Suction Port
-	76394	1 Baby Blanket 80 x 130 cm: • Absorbent
89053	79053	2 Tape Strips 10 x 55 cm

C-SECTION PACK IV

CODE	DESCRIPTION	ITEMS/CASE
77491	C-Section Pack IV	10
STERILE	NON-STERILE	CONTENTS
-	-	1 Sterilisation Wrap 96 x 96 cm
42222	42428	1 Back Table Cover, Reinforced 152 x 191 cm
89603	79603	1 Mayo Stand Cover 80 x 145 cm
89701	79720	1 Absorbent Towel 38 x 56 cm
-	76394	1 Baby Blanket 80 x 130 cm: • Absorbent
89529	79529	1 C-Section Fluid Collection Drape 254 x 305 x 183 cm: • Full Adhesive Incise Area • Fluid Collection Pouch with Suction Port and Malleable Band • Armboard Covers • Tube Holders

All codes in **bold** indicate a sterile product.

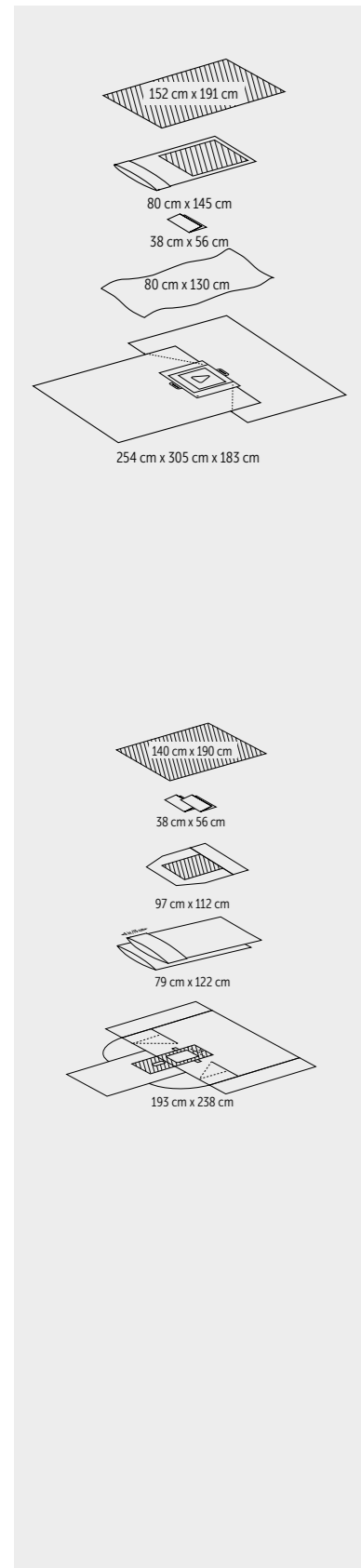
See Back Cover for Trademark Information



Gynaecology & Obstetrics Packs 65

GYNAECOLOGY & OBSTETRICS PACKS

GYNAECOLOGY & OBSTETRICS PACKS



C-SECTION PACK V

CODE	DESCRIPTION	ITEMS/CASE
77492	C-Section Pack V	8
STERILE	NON-STERILE	CONTENTS
-	-	1 Sterilisation Wrap 96 x 96 cm
42222	42428	1 Back Table Cover, Reinforced 152 x 191 cm
89603	79603	1 Mayo Stand Cover 80 x 145 cm
89701	79720	1 Absorbent Towel 38 x 56 cm
-	76394	1 Baby Blanket 80 x 130 cm: • Absorbent
89528	79528	1 C-Section Fluid Collection Drape 254 x 305 x 183 cm: • Triangular Fenestrated Adhesive Incise Area • Fluid Collection Pouch with Suction Port and Malleable Band • Armboard Covers • Tube Holders

GYNAECOLOGY PACK

CODE	DESCRIPTION	ITEMS/CASE
77865	Gynaecology Pack	10
STERILE	NON-STERILE	CONTENTS
-	-	1 Sterilisation Wrap 96 x 96 cm
42345	42365	1 Back Table Cover, Reinforced 140 x 190 cm
89701	79720	2 Absorbent Towels 38 x 56 cm
-	79411	1 Under Buttocks Drape, Zone Reinforced, Medium, 97 x 112 cm
89408	79408	2 Leggings 79 x 122 cm: • With 15 cm Cuff
-	-	1 Coeloscopy Sheet 193 x 238 cm

All codes in **bold** indicate a sterile product.

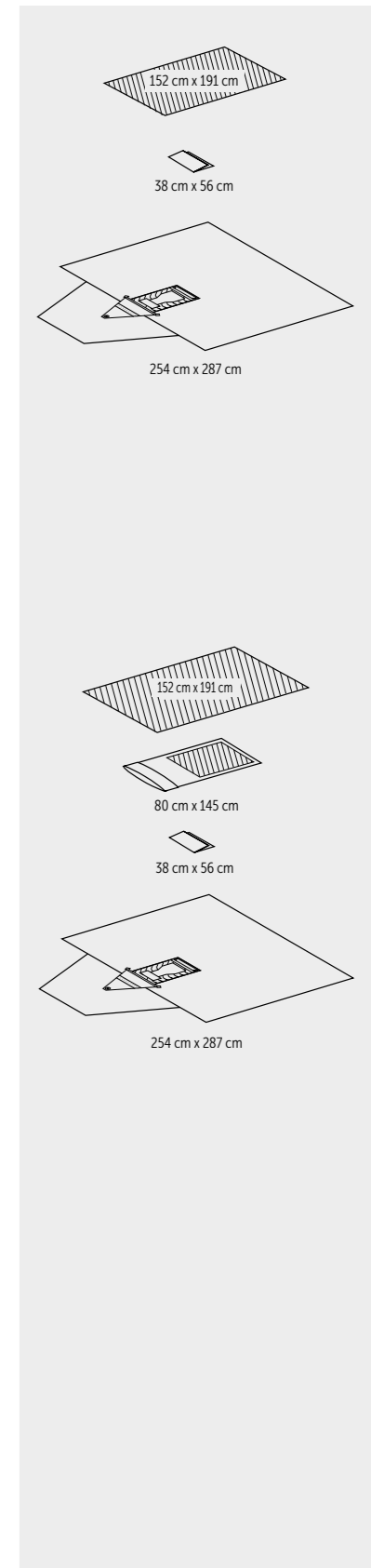
See Back Cover for Trademark Information

GYNAECOLOGY/UROLOGY PACK I

CODE	DESCRIPTION	ITEMS/CASE
77888	Gynaecology/Urology Pack I	12
STERILE	NON-STERILE	CONTENTS
-	-	1 Sterilisation Wrap 96 x 96 cm
42222	42428	1 Back Table Cover, Reinforced 152 x 191 cm
89701	79720	1 Absorbent Towel 38 x 56 cm
-	76888	1 Gynaecology/Urology Drape 254 x 287 cm: • Adjustable Fenestration with Flap • Fluid Collection Pouch with Screen and Suction Port • With Attached Leggings • Perineal Incise Film • CONTROL [®] Fabric Reinforcement • Positioning Tape

GYNAECOLOGY/UROLOGY PACK II

CODE	DESCRIPTION	ITEMS/CASE
77890	Gynaecology/Urology Pack II	11
STERILE	NON-STERILE	CONTENTS
-	-	1 Sterilisation Wrap 96 x 96 cm
42222	42428	1 Back Table Cover, Reinforced 152 x 191 cm
89603	79603	1 Mayo Stand Cover 80 x 145 cm
89701	79720	1 Absorbent Towel 38 x 56 cm
-	76888	1 Gynaecology/Urology Drape 254 x 287 cm: • Adjustable Fenestration with Flap • Fluid Collection Pouch with Screen and Suction Port • With Attached Leggings • Perineal Incise Film • CONTROL [®] Fabric Reinforcement • Positioning Tape



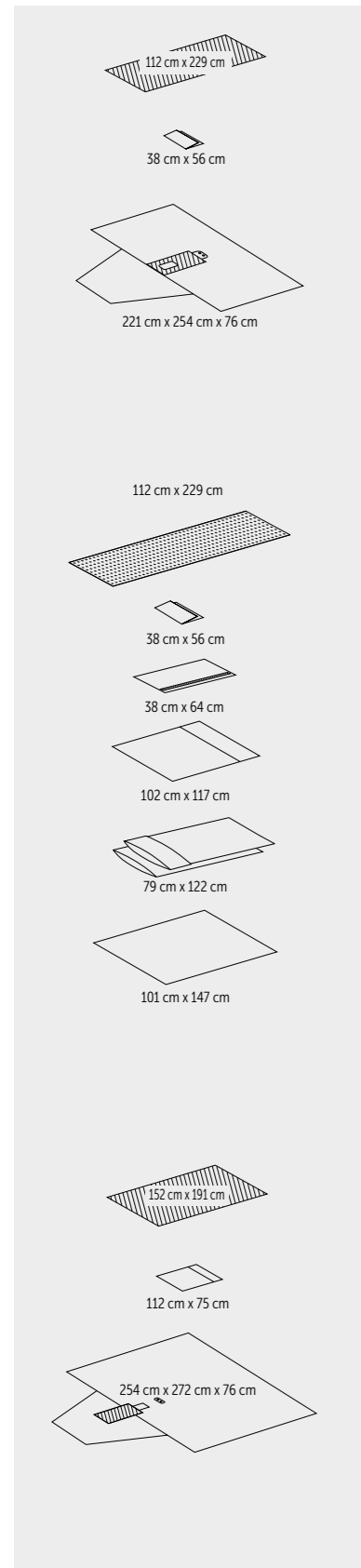
All codes in **bold** indicate a sterile product.

See Back Cover for Trademark Information

Gynaecology & Obstetrics Packs

GYNAECOLOGY & OBSTETRICS PACKS

GYNAECOLOGY & OBSTETRICS PACKS



LITHOTOMY PACK I

CODE	DESCRIPTION	ITEMS/CASE
88511	Lithotomy Pack I	10
STERILE	NON-STERILE	CONTENTS
42217	42448	1 Back Table Cover, Reinforced 112 x 229 cm
89701	79720	1 Absorbent Towel 38 x 56 cm
-	-	1 Lithotomy Drape with Attached Leggings, 221 x 254 x 76 cm: <ul style="list-style-type: none"> • 15 x 7 cm Perineal Fenestration • Positioning Tape • CONTROL[®] Fabric Reinforcement • Tube Holders

LITHOTOMY PACK II

CODE	DESCRIPTION	ITEMS/CASE
88521	Lithotomy Pack II	10
STERILE	NON-STERILE	CONTENTS
42217	42448	1 Back Table Cover, Reinforced 112 x 229 cm
89701	79720	1 Absorbent Towel 38 x 56 cm
-	79731	1 Utility Drape with Tape, 38 x 64 cm
-	-	1 Under Buttocks Drape, Zone Reinforced, Medium 102 x 117 cm
89408	79408	2 Leggings 79 x 122 cm: <ul style="list-style-type: none"> • With 15 cm Cuff
47614	47616	1 Half Drape 101 x 147 cm

LITHOTOMY PACK IV

CODE	DESCRIPTION	ITEMS/CASE
7779	Lithotomy Pack IV	12
STERILE	NON-STERILE	CONTENTS
-	-	1 Sterilisation Wrap 89 x 89 cm
42222	42428	1 Back Table Cover, Reinforced 152 x 191 cm
89411	-	1 Under Buttocks Drape, Zone Reinforced, Medium 112 x 75 cm
-	76384	1 Lithotomy Drape with Attached Leggings, 254 x 272 x 76 cm: <ul style="list-style-type: none"> • Tape around Fenestration • CONTROL[®] Plus Fabric Reinforcement • Tube Holders

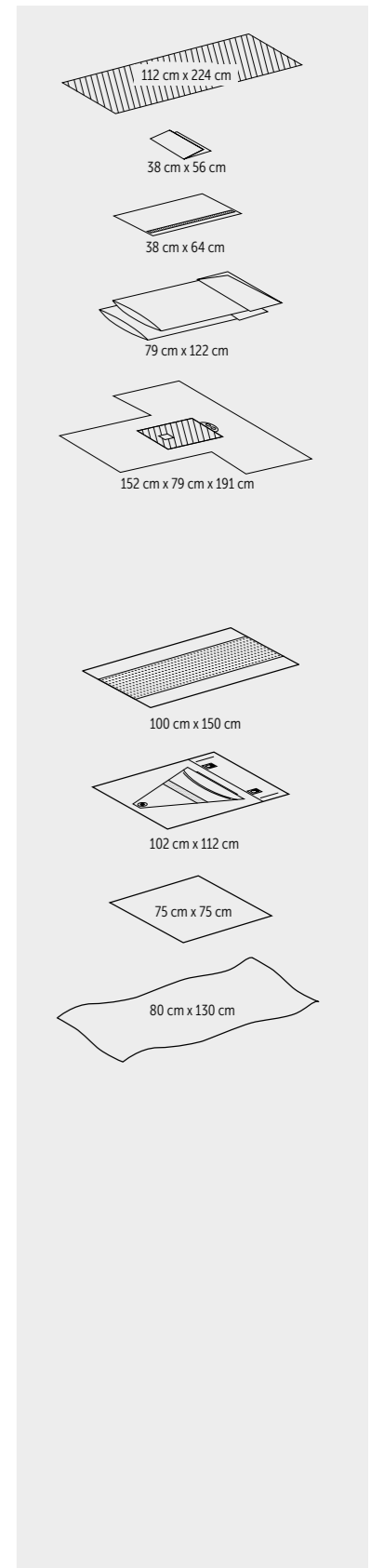
All codes in **bold** indicate a sterile product.

LITHOTOMY PACK V

CODE	DESCRIPTION	ITEMS/CASE
88551	Lithotomy Pack V	12
STERILE	NON-STERILE	CONTENTS
-	42302	1 Back Table Cover, Reinforced 112 x 224 cm
89701	79720	1 Absorbent Towel 38 x 56 cm
-	79731	1 Utility Drape with Tape, 38 x 64 cm
89408	79408	2 Leggings 79 x 122 cm: <ul style="list-style-type: none"> • With 15 cm Cuff
-	79551	1 Lithotomy T-Drape 152 x 79 x 191 cm: <ul style="list-style-type: none"> • 7 x 15 cm Fenestration • Positioning Tape • CONTROL[®] Fabric Reinforcement • Tube Holders

HALYARD BASICS* DELIVERY PACK

CODE	DESCRIPTION	ITEMS/CASE
88911	HALYARD BASICS* Delivery Pack	5
STERILE	NON-STERILE	CONTENTS
89632	79741	1 Back Table Cover, Zone Reinforced 100 x 150 cm
89677	79699	1 Utility Drape 75 x 75 cm
89584	-	1 Under Buttocks Drape 102 x 112 cm: <ul style="list-style-type: none"> • With Graduated Fluid Collection Pouch • Spunbond
-	-	1 Baby Blanket



All codes in **bold** indicate a sterile product.

GYNAECOLOGY & OBSTETRICS DRAPES

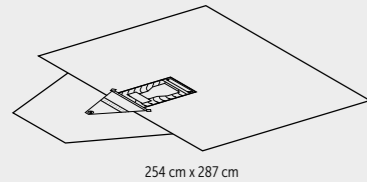
GYNAECOLOGY & OBSTETRICS DRAPES

GYNAECOLOGY/UROLOGY DRAPES

GYNAECOLOGY/UROLOGY DRAPE, 254 X 287 CM

- Perineal Incise Film
- Fluid Collection Pouch with Screen and Suction Port
- CONTROL* Fabric Reinforcement 39 x 72 cm
- Adjustable Fenestration with Flap
- Attached Leggings
- Positioning Tape

CODE	DESCRIPTION	ITEMS/CASE
76888	Gynaecology/Urology Drape, Non-Sterile	22

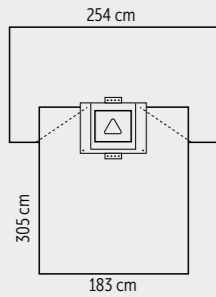


C-SECTION DRAPES

C-SECTION FLUID COLLECTION DRAPE, 254 X 305 X 183 CM

- Triangular Fenestrated Adhesive Incise Area
- Fluid Collection Pouch with Suction Port and Malleable Band
- Tube Holders
- Armboard Covers

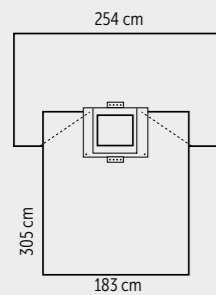
CODE	DESCRIPTION	ITEMS/CASE
89528	C-Section Fluid Collection Drape with Fenestration, Sterile	8
79528	C-Section Fluid Collection Drape with Fenestration, Non-Sterile	150



C-SECTION FLUID COLLECTION DRAPE, 254 X 305 X 183 CM

- Full Adhesive Incise Area
- Fluid Collection Pouch with Suction Port and Malleable Band
- Tube Holders
- Armboard Covers

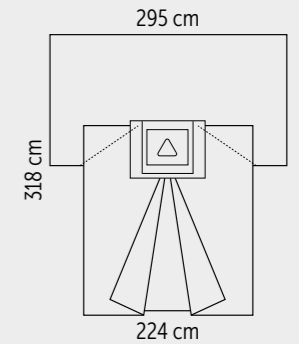
CODE	DESCRIPTION	ITEMS/CASE
89529	C-Section Fluid Collection Drape, Sterile	8
79529	C-Section Fluid Collection Drape, Non-Sterile	150



C-SECTION DRAPE WITH ATTACHED LEGGINGS, 295 X 318 X 224 CM

- Armboard Covers
- Attached Leggings 36 x 33 cm
- Adhesive Incise Area with Triangular Fenestration
- Fluid Collection Pouch with Suction Port

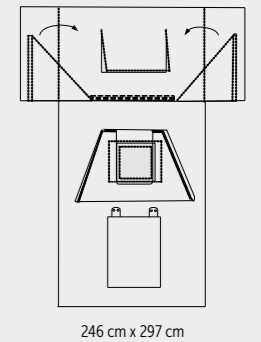
CODE	DESCRIPTION	ITEMS/CASE
77353	C-Section Drape with Attached Leggings, Sterile	18
76353	C-Section Drape with Attached Leggings, Non-Sterile	112



GENTLE C-SECTION DRAPE WITH FLUID COLLECTION POUCH, 246 X 297 CM

- SMS
- CONTROL* Fabric Reinforcement 43 x 56 cm
- Fluid Collection Pouch
- Full Incise
- Clear window fenestration 39.4 x 49.5 cm
- Fenestration 43.2 x 38.1 cm
- Two Flaps 76.2 x 63.5 cm
- Tube Holders
- Positioning Tape

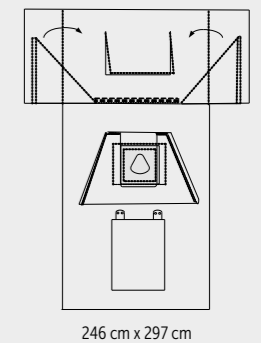
CODE	DESCRIPTION	ITEMS/CASE
K897213	Gentle C-Section Drape with Fluid Collection Pouch, Sterile	15
K797213	Gentle C-Section Drape with Fluid Collection Pouch, Sterile	20



GENTLE C-SECTION DRAPE WITH FLUID COLLECTION POUCH, 246 X 297 CM

- SMS
- CONTROL* Fabric Reinforcement 43 x 56 cm
- Fluid Collection Pouch
- 22.9 x 17.8 cm Incise Triangle Fenestration
- Window Fenestration 39.4 x 49.5 cm
- Two Flaps 76.2 x 63.5 cm
- Tube Holders

CODE	DESCRIPTION	ITEMS/CASE
K897215	Gentle C-Section Drape with Fluid Collection Pouch, Sterile	15
K797215	Gentle C-Section Drape with Fluid Collection Pouch, Non-Sterile	18



All codes in **bold** indicate a sterile product.

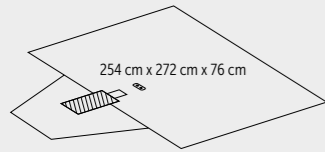
All codes in **bold** indicate a sterile product.

GYNAECOLOGY & OBSTETRICS DRAPES

LITHOTOMY DRAPES

LITHOTOMY DRAPE WITH ATTACHED LEGGINGS, 254 X 272 X 76 CM

- CONTROL[®] Plus Fabric Reinforcement 61 x 27 cm
- Tape around Fenestration
- Tube Holders



CODE	DESCRIPTION	ITEMS/CASE
76384	Lithotomy Drape with Attached Leggings, Non-Sterile	11

All codes in **bold** indicate a sterile product.

See Back Cover for Trademark Information

UROLOGY
UROLOGY PACKS

CYSTOSCOPY PACK I

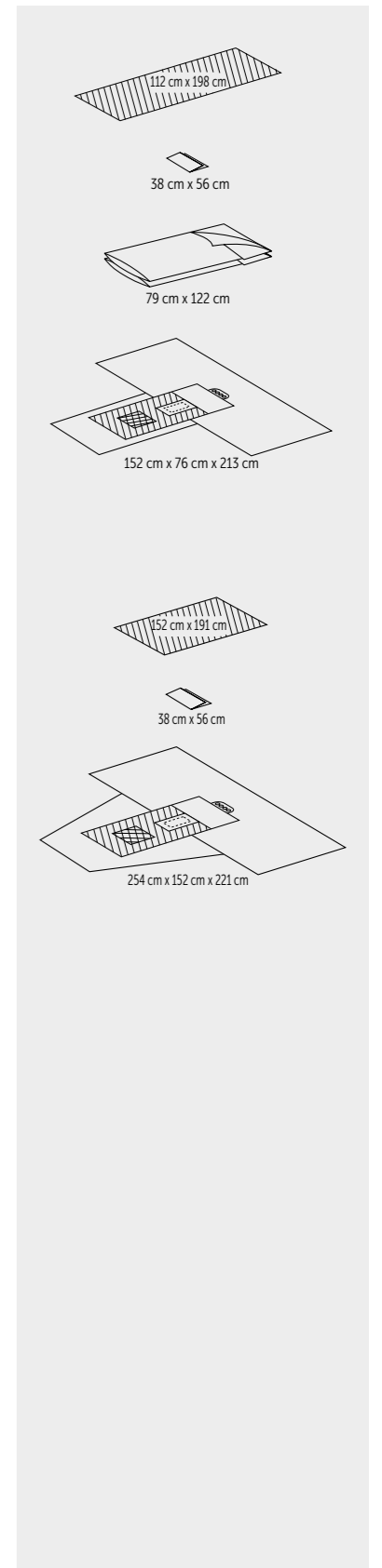
CODE	DESCRIPTION	ITEMS/CASE
88611	Cystoscopy Pack I	12
	STERILE	NON-STERILE
-	42447	1 Back Table Cover, Reinforced 112 x 198 cm
89701	79720	1 Absorbent Towel 38 x 56 cm
89408	79408	2 Leggings 79 x 122 cm: • With 15 cm Cuff
-	79540	1 Cystoscopy T-Drape 152 x 76 x 213 cm: • Perineal Fenestration 7 x 15 cm • 22 x 22 cm Screen • Positioning Tape • CONTROL [®] Fabric Reinforcement • Tube Holders

CYSTOSCOPY PACK II

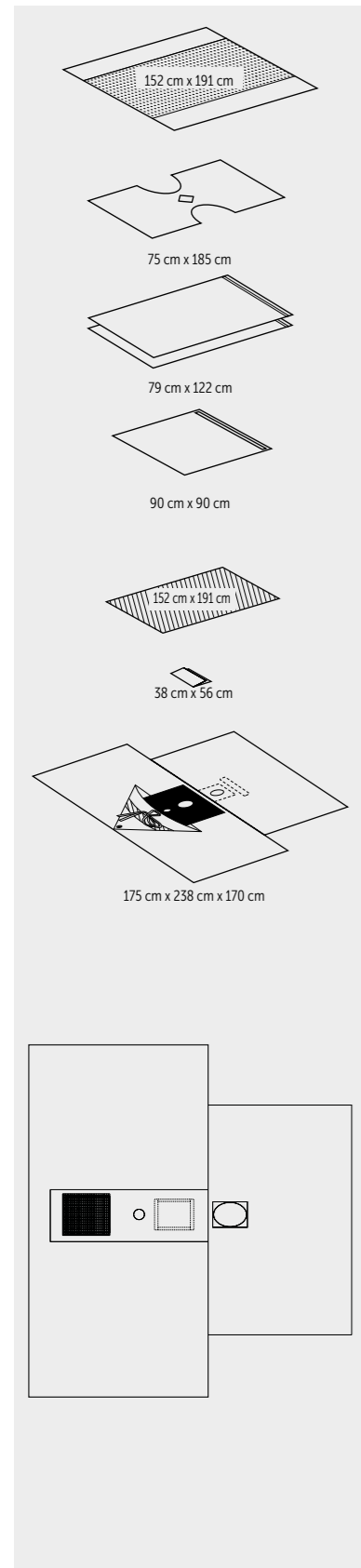
CODE	DESCRIPTION	ITEMS/CASE
88621	Cystoscopy Pack II	12
	STERILE	NON-STERILE
42222	42428	1 Back Table Cover, Reinforced 152 x 191 cm
89701	79720	1 Absorbent Towel 38 x 56 cm
-	79545	1 Cystoscopy Drape 254 x 152 x 221 cm: • With Attached Leggings • Perineal Fenestration 7 x 15 cm • 22 x 22 cm Screen • Positioning Tape • CONTROL [®] Fabric Reinforcement • Tube Holders

All codes in **bold** indicate a sterile product.

See Back Cover for Trademark Information



UROLOGY PACKS & DRAPES



HALYARD BASICS* CYSTOSCOPY PACK

CODE	DESCRIPTION	ITEMS/CASE
89681	HALYARD BASICS* Cystoscopy Pack	10
STERILE	NON-STERILE	CONTENTS
88673	78669	1 Back Table Cover, Zone Reinforced 152 x 191 cm
-	-	2 Leggings 79 x 122 cm
89679	79783	1 Utility Drape with Tape 90 x 90 cm: • Spunbond Film
-	79742	1 Cystoscopy Drape, 75 x 185 cm: • Diamond Fenestration 5.5 x 12.5 cm • Spunbond Film

T.U.R. PACK

CODE	DESCRIPTION	ITEMS/CASE
77885	T.U.R. Pack	12
STERILE	NON-STERILE	CONTENTS
-	-	1 Sterilisation Wrap 96 x 96 cm
42222	42428	1 Back Table Cover, Reinforced 152 x 191 cm
89701	79720	1 Absorbent Towel 38 x 56 cm
-	76885	1 T.U.R. Drape 175 x 238 x 170 cm: • With Attached Leggings • Fluid Collection Pouch with Screen, Suction Port and Tie • With Finger Cot

T.U.R. DRAPE MESH & LEGGINGS 220 X 255 X 190 CM

- With Attached Leggings
- For Manufacturing/Processing/Repacking
- With Drape, Delnet, Finger Cot, Reinforcement

CODE	DESCRIPTION	ITEMS/CASE
K768550	T.U.R. Drape w/Mesh & Builtin Leggings, Non-Sterile	13

All codes in **bold** indicate a sterile product.

See Back Cover for Trademark Information

UROLOGY DRAPES

CYSTOSCOPY DRAPE, 254 X 221 X 152 CM

- CONTROL* Plus Fabric Reinforcement 40 x 22 cm & Poly Reinforcement 40 x 101 cm
- Attached Leggings
- Fenestration 7 x 15 cm
- Screen 22 x 22 cm

CODE	DESCRIPTION	ITEMS/CASE
79545	Cystoscopy Drape, Non-Sterile	20

HALYARD BASICS* CYSTOSCOPY DRAPE, 75 X 185 CM

- Diamond Fenestration 5.5 x 12.5 cm
- Spunbond Film

CODE	DESCRIPTION	ITEMS/CASE
79742	HALYARD BASICS* Cystoscopy Drape, Non-Sterile	120

T.U.R. DRAPE, 175 X 238 X 170 CM

- With Attached Leggings
- Fluid Collection Pouch with Screen, Suction Port and Tie
- With Finger Cot

CODE	DESCRIPTION	ITEMS/CASE
76885	T.U.R. Drape, Non-Sterile	18

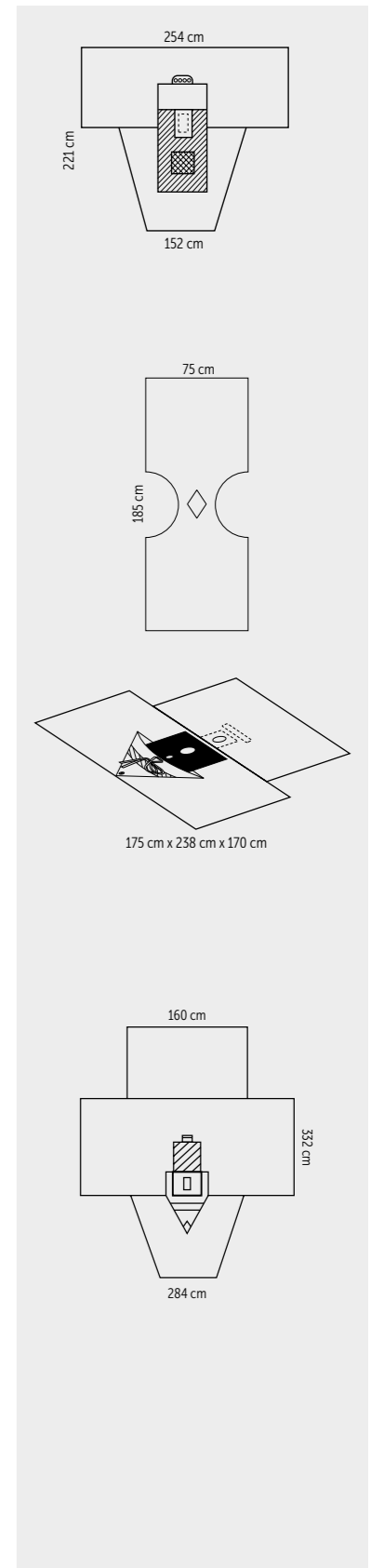
GYN/UROLOGY DRAPE

- Attached Fluid Collection Pouch
- With Suction Port/Screen
- Attached Leggings
- Positioning Tape
- CONTROL* Plus Fabric Reinforcement 36 x 43 cm
- Fenestration 8 x 15 cm
- Tube Holder/2 holes

CODE	DESCRIPTION	ITEMS/CASE
89204	Gyn/Urology Drape, Sterile	10

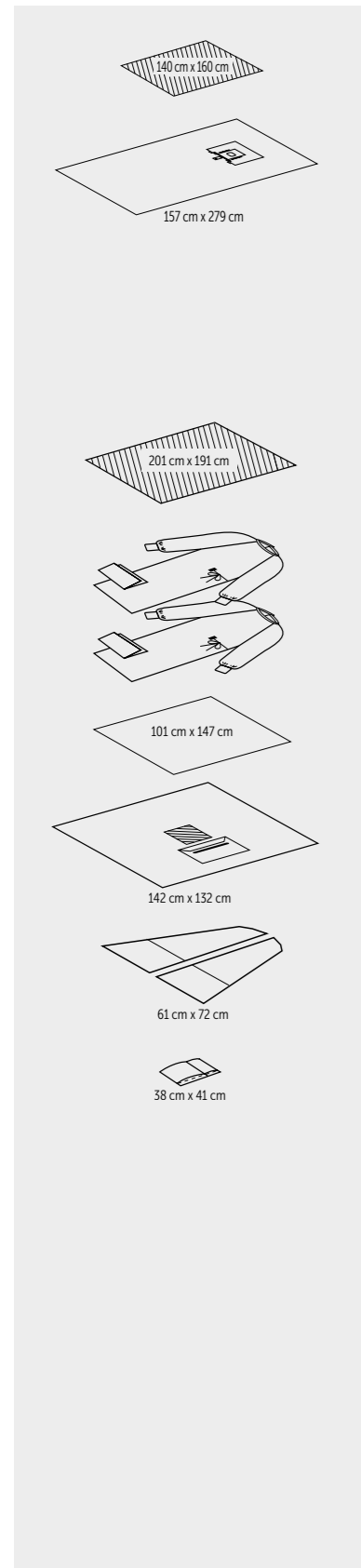
All codes in **bold** indicate a sterile product.

See Back Cover for Trademark Information



OPHTHALMOLOGY

OPHTHALMOLOGY PACKS



EYE PACK

CODE	DESCRIPTION	ITEMS/CASE
77744	Eye Pack	10
STERILE	NON-STERILE	CONTENTS
-	-	1 Sterilisation Wrap 89 x 89 cm
-	-	1 Back Table Cover, 140 x 160 cm, with Tape
-	-	1 Eye Drape 157 x 279 cm: • With Fluid Collection Pouch

OPHTHALMIC PACK

CODE	DESCRIPTION	ITEMS/CASE
77760	Ophthalmic Pack	8
STERILE	NON-STERILE	CONTENTS
42312	42313	1 Back Table Cover, Reinforced 191 x 201 cm
47614	47616	1 Half Drape 101 x 147 cm
90013	79973	2 Surgical Gowns Large, X-long
89701	79720	2 Absorbent Towels 38 x 56 cm
89304	79304	1 Ophthalmic Drape 132 x 142 cm • With Fluid Collection Pouch • 13 x 9 cm Rectangular Fenestration, with Incise • Eye Wick • Applicable for both Left and Right Eye
76214	76300	2 Armboard Covers 61 x 72 cm
89945	79945	1 Diathermy Pouch 38 x 41 cm

All codes in **bold** indicate a sterile product.

See Back Cover for Trademark Information

OPHTHALMOLOGY DRAPES

OPHTHALMIC DRAPE, 132 X 142 CM

- With One Single Fluid Collection Pouch
- 13 x 9 cm Rectangular Fenestration, with Incise
- Eye Wick (Sterile Version only)
- Applicable for both Left and Right Eye

CODE	DESCRIPTION	ITEMS/CASE
89304	Ophthalmic Drape, Sterile	40
79304	Ophthalmic Drape, Non-Sterile	100

OPHTHALMIC DRAPE, 132 X 142 CM

- With One Single Fluid Collection Pouch
- 8 cm Oval Fenestration, with Apertured Incise 9 x 12.7 cm
- Eye Wick (Sterile Version only)
- Applicable for both Left and Right Eye

CODE	DESCRIPTION	ITEMS/CASE
89305	Ophthalmic Drape, Oval Fenestration, Sterile	40
79305	Ophthalmic Drape, Oval Fenestration, Non-Sterile	100

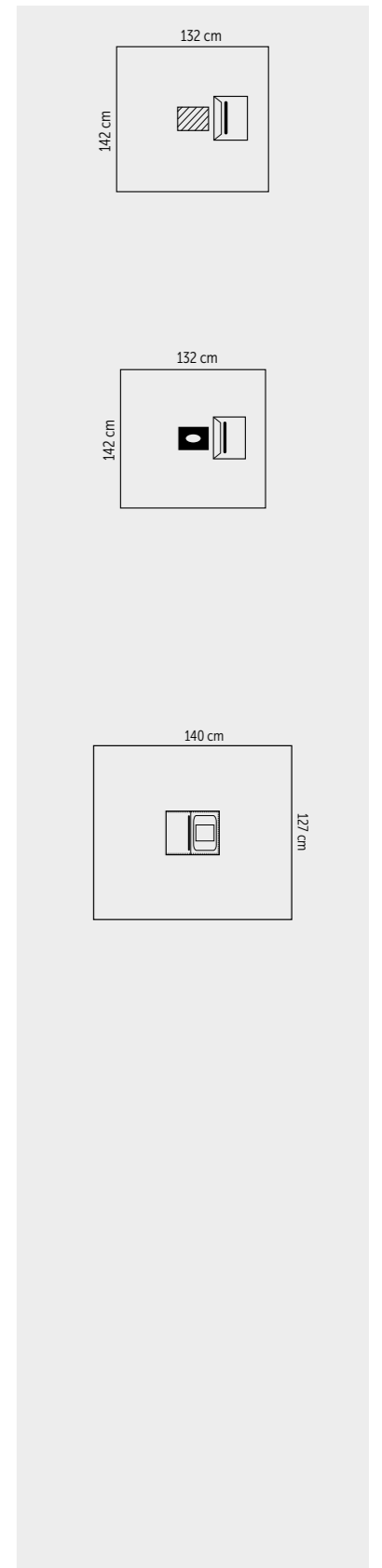
OPHTHALMIC DRAPE, 140 X 127 CM

- Supadrape Cellulose based Material with Clear Plastic Reinforcement around Fenestration
- 11.5 x 8.8 cm Rectangular Fenestration, with Incise
- With One Single Fluid Collection Pouch
- Applicable for both Left and Right Eye

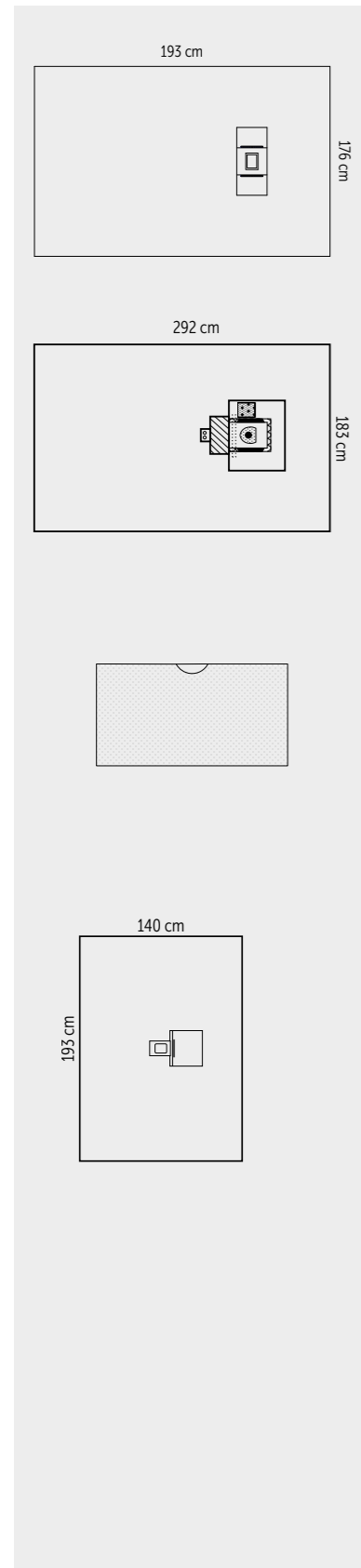
CODE	DESCRIPTION	ITEMS/CASE
K793043	Ophthalmic Drape, Non-Sterile	110

All codes in **bold** indicate a sterile product.

See Back Cover for Trademark Information



OPHTHALMOLOGY DRAPES



OPHTHALMIC DRAPE, 176 X 193 CM

- SMS
- Fenestration 7 x 17 cm
- With Fluid Collection Pouch

CODE	DESCRIPTION	ITEMS/CASE
K793050	Ophthalmic Drape, Non-Sterile	120

OCUARTS* OPHTHALMIC DRAPE, 183 X 292 CM

- 3 x 5 cm Oval Fenestration
- 15 x 20 cm Incise
- Fluid Collection Pouch around Fenestration, with Foam Band
- Breather Bar
- Tube Holders

CODE	DESCRIPTION	ITEMS/CASE
79356	OCUARTS* Ophthalmic Drape, Non-Sterile	20

OPHTHALMIC LASIK DRAPE 38 X 20.3CM

- Bi-Laminated Drape Size : 20 x 38 cm
- Fenestration Size with incise : 2 x 6 cm

CODE	DESCRIPTION	ITEMS/CASE
K793053	Ophthalmic Lasik Drape , Non-Sterile	1200

EYE DRAPE, 140 X 193 CM

- With One Single Fluid Collection Pouch
- 7,6 x 10 cm Rectangular Fenestration, with Incise 18 x 13 cm
- Applicable for both Left and Right Eye

CODE	DESCRIPTION	ITEMS/CASE
77873	Eye Drape, Sterile	25
76321	Eye Drape, Non-Sterile	50

All codes in **bold** indicate a sterile product.

See Back Cover for Trademark Information

OPHTHALMOLOGY DRAPES

EYE DRAPE, 140 X 193 CM

- With Double Fluid Collection Pouches
- 4,5 x 7 cm Oval Fenestration, without Incise
- Positioning Tape

CODE	DESCRIPTION	ITEMS/CASE
77707	Eye Drape, Sterile	30
76346	Eye Drape, Non-Sterile	36

EYE DRAPE, 176 X 193 CM

- With Double Fluid Collection Pouches
- 4,5 x 7 cm Oval Fenestration, with Incise 9,5 x 12 cm

CODE	DESCRIPTION	ITEMS/CASE
59710	Eye Drape, Sterile	28
76393	Eye Drape, Non-Sterile	50

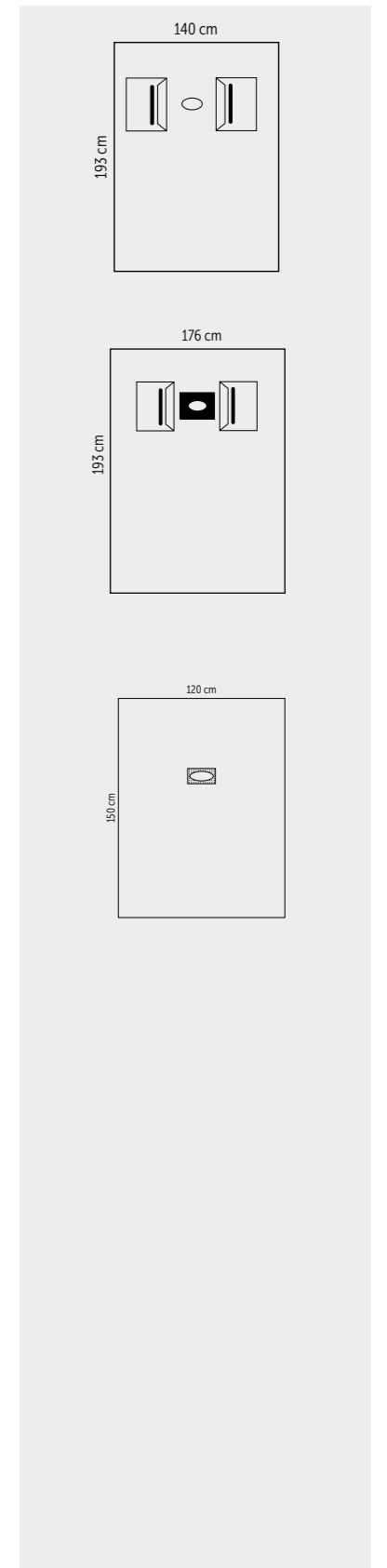
HALYARD BASICS* BILATERAL EYE FENESTRATED DRAPE WITH TAPE, 120 X 150 CM

- Horizontal Rounded Rectangular Fenestration 7 x 16 cm, centered
- Spunbond Film
- Positioning Tape

CODE	DESCRIPTION	ITEMS/CASE
79744	HALYARD BASICS* Bilateral Eye Fenestrated Drape with Tape, Non-Sterile	80

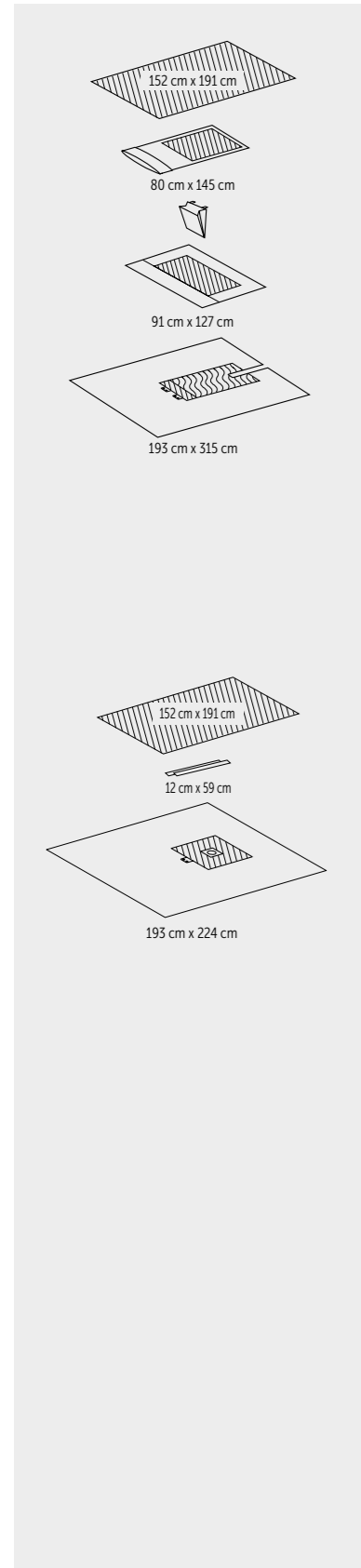
All codes in **bold** indicate a sterile product.

See Back Cover for Trademark Information



ENT

ENT PACKS



ENT PACK III

CODE	DESCRIPTION	ITEMS/CASE
88223	ENT Pack III	6
STERILE	NON-STERILE	CONTENTS
42222	42428	1 Back Table Cover, Reinforced, 152 x 191 cm
89603	79603	1 Mayo Stand Cover 80 x 145 cm
-	-	1 Suture Bag
-	79430	1 Head Drape 91 x 127 cm: <ul style="list-style-type: none"> • Turban • Positioning Tape
89352	79351	1 ENT Split Drape 193 x 315 cm: <ul style="list-style-type: none"> • With 7 x 71 cm Split • Positioning Tape • CONTROL[®] Fabric Reinforcement • Tube Holders • 2 SMS tube holders

ENT PACK IV

CODE	DESCRIPTION	ITEMS/CASE
77823	ENT Pack IV	10
STERILE	NON-STERILE	CONTENTS
-	-	1 Sterilisation Wrap 89 x 89 cm
42222	42428	1 Back Table Cover, Reinforced, 152 x 191 cm
-	-	2 Iso-Seal Tape Strips 12 x 59 cm
-	-	1 ENT Drape with Incise, 193 x 224 cm: <ul style="list-style-type: none"> • Incise 15 x 15 cm • With 11 x 11 cm Fenestration • CONTROL[®] Plus Fabric Reinforcement

All codes in **bold** indicate a sterile product.

See Back Cover for Trademark Information

ENT

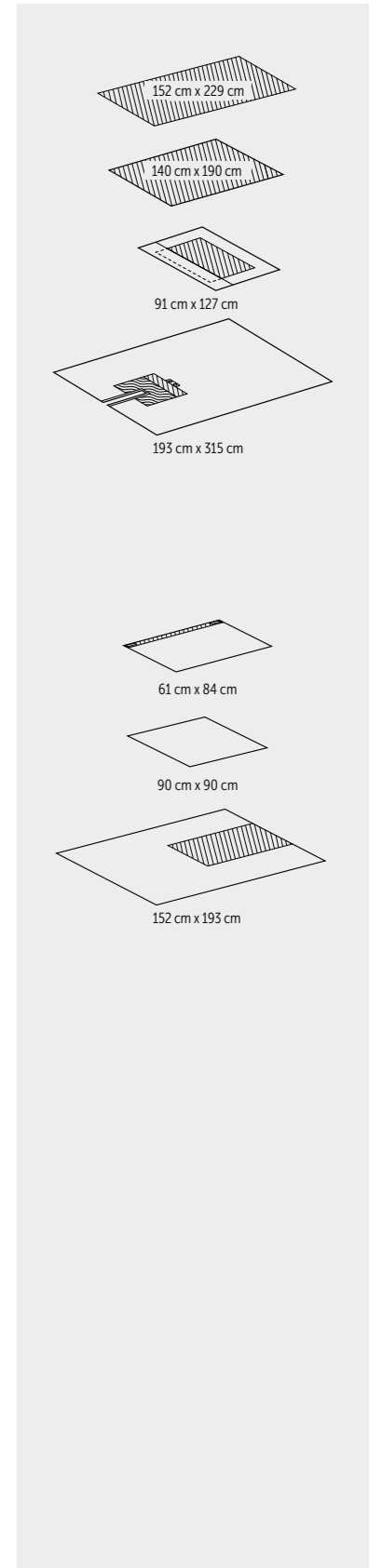
ENT PACKS

ENT PACK V – HEAD AND NECK

CODE	DESCRIPTION	ITEMS/CASE
76209	ENT Pack V – Head and Neck	7
STERILE	NON-STERILE	CONTENTS
-	-	1 Sterilisation Wrap 89 x 89 cm
42224	42451	1 Back Table Cover, Reinforced, 152 x 229 cm
42345	42365	1 Back Table Cover, Reinforced, 140 x 190 cm
-	79430	1 Head Drape 91 x 127 cm: <ul style="list-style-type: none"> • Turban • Positioning Tape
89352	79351	1 ENT Split Drape 193 x 315 cm: <ul style="list-style-type: none"> • With 7 x 71 cm Split • Positioning Tape • CONTROL[®] Fabric Reinforcement • Tube Holders

HEAD PACK

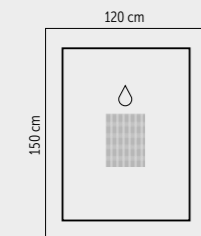
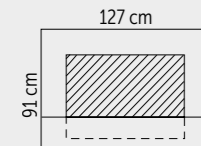
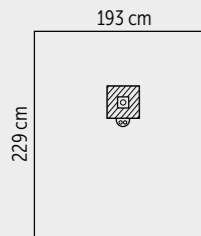
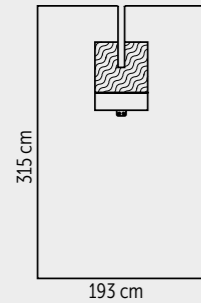
CODE	DESCRIPTION	ITEMS/CASE
76234	Head Pack	20
STERILE	NON-STERILE	CONTENTS
-	-	1 Sterilisation Wrap 89 x 89 cm
-	-	1 Three-Quarter Drape 152 x 193 cm
89353	76323	1 Utility Drape 90 x 90 cm
-	-	1 Head Drape, 61 x 84 cm: <ul style="list-style-type: none"> • 5 cm tape over full length



All codes in **bold** indicate a sterile product.

See Back Cover for Trademark Information

ENT DRAPES



ENT DRAPES

ENT SPLIT DRAPE, 193 X 315 CM

- CONTROL* Fabric Reinforcement 58 x 61 cm
- 7 x 71 cm Split
- Tube Holders
- Positioning Tape

CODE	DESCRIPTION	ITEMS/CASE
89352	ENT Split Drape, Sterile	18
79351	ENT Split Drape, Non-Sterile	25

ENT DRAPE, 193 X 229 CM

- With 5 x 6 cm Fenestration
- CONTROL* Plus Fabric Reinforcement 84 x 81 cm
- Positioning Tape
- Tube Holders

CODE	DESCRIPTION	ITEMS/CASE
89010	ENT Drape, Sterile	18

HEAD DRAPES

HEAD DRAPE, 127 X 91 CM

- Turban
- Positioning Tape

CODE	DESCRIPTION	ITEMS/CASE
79430	Head Drape, Non-Sterile	60

DENTAL DRAPES

HALYARD BASICS* DENTAL FENESTRATED DRAPE, 120 X 150 CM

- Tear Drop Fenestration 10 x 15 cm, 40 cm from top
- SMS
- Absorbent Reinforcement

CODE	DESCRIPTION	ITEMS/CASE
89543	HALYARD BASICS* Dental Fenestrated Drape, Sterile	15
79543	HALYARD BASICS* Dental Fenestrated Drape, Non-Sterile	68

All codes in **bold** indicate a sterile product.

See Back Cover for Trademark Information

NEUROLOGY CRANIOTOMY DRAPES

CRANIOTOMY DRAPE, 310 X 340 X 188 CM

- CONTROL* Plus Fabric Reinforcement 91 x 61 cm
- 20 x 30 cm Oval Fenestration
- Clear Gusseted Anesthesia Panels
- Screen and Suction Port
- 58 x 114 cm Pouch

CODE	DESCRIPTION	ITEMS/CASE
89062	Craniotomy Drape, Sterile	9
79075	Craniotomy Drape, Non-Sterile	15

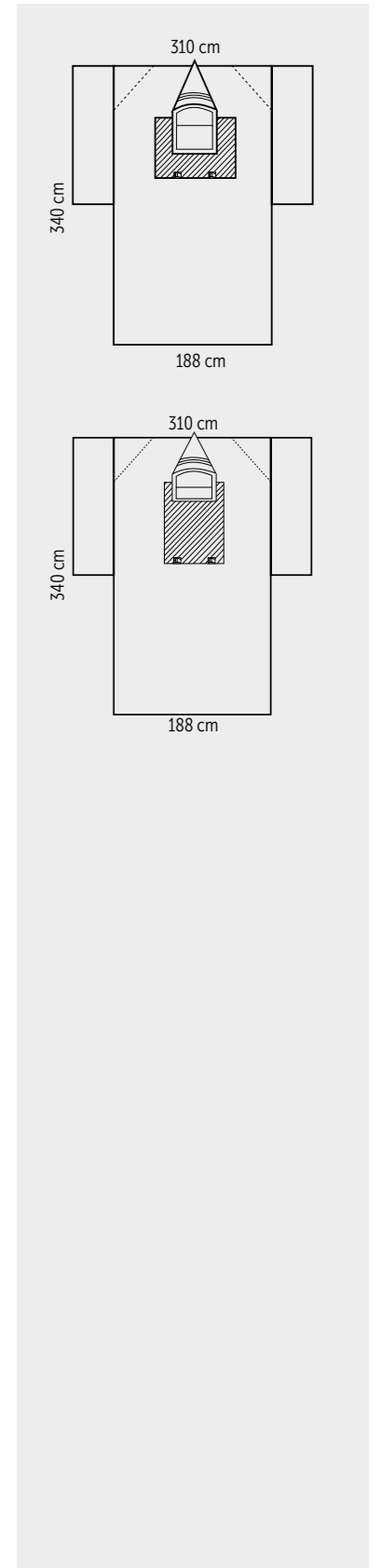
CRANIOTOMY DRAPE, 310 X 340 X 188 CM

- CONTROL* Plus Fabric Reinforcement 91 x 61 cm
- 15 x 23 cm Oval Fenestration
- 58 x 92 cm Pouch with Screen and Suction Port
- Gusseted Anaesthesia Panels

CODE	DESCRIPTION	ITEMS/CASE
77466	Craniotomy Drape, Sterile	12
76396	Craniotomy Drape, Non-Sterile	14

All codes in **bold** indicate a sterile product.

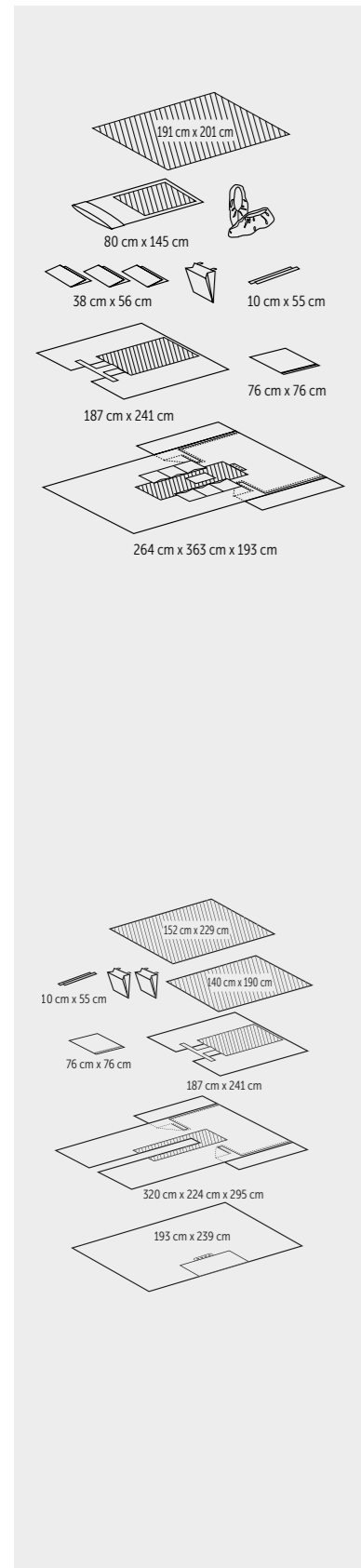
See Back Cover for Trademark Information



CARDIOVASCULAR & ANGIOGRAPHY

CARDIOVASCULAR & ANGIOGRAPHY PACKS

CARDIOVASCULAR & ANGIOGRAPHY PACKS



CARDIO PACK II

CODE	DESCRIPTION	ITEMS/CASE
77748	Cardio Pack II	3
STERILE	NON-STERILE	CONTENTS
-	-	1 Sterilisation Wrap 115 x 115 cm
42312	42313	1 Back Table Cover, Reinforced, 191 x 201 cm
89603	79603	1 Mayo Stand Cover, 80 x 145 cm
-	76340	2 Foot Covers
89701	79720	3 Absorbent Towels 38 x 56 cm
89053	79053	2 Tape Strips 10 x 55 cm
-	-	1 Suture Bag: • Double Tape
89313	79313	1 Utility Drape with Tape, 76 x 76 cm
-	76356	1 Perineal Drape 187 x 241 cm: • Split 44 x 95 cm • Positioning Tape • CONTROL [®] Plus Fabric Reinforcement
86357	76357	1 CV Incise Sheet 264 x 363 x 193 cm: • With Pouches • CONTROL [®] Plus Fabric Reinforcement • Tube Holders

CARDIO SPLIT PACK

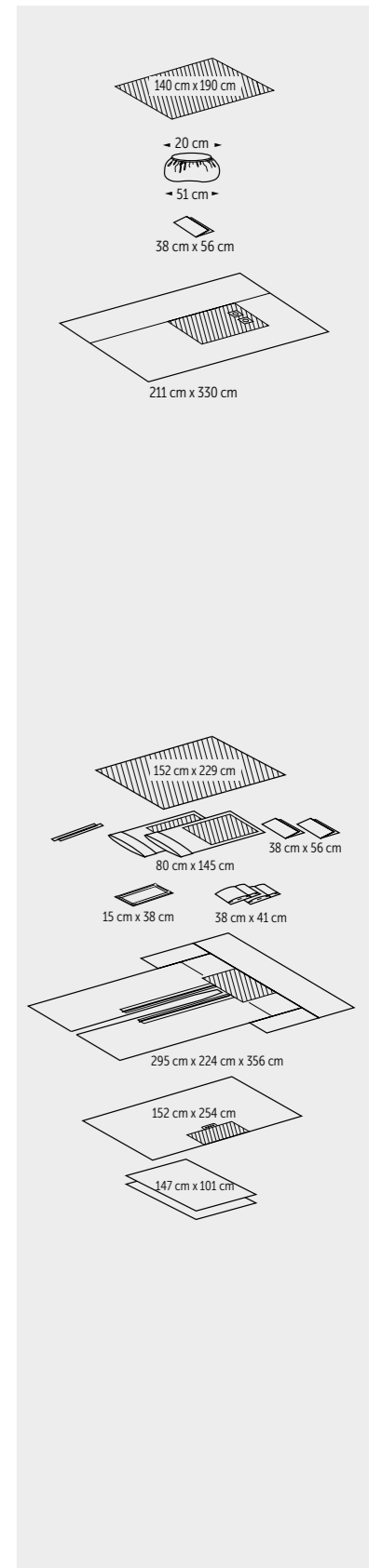
CODE	DESCRIPTION	ITEMS/CASE
77749	Cardio Split Pack	3
STERILE	NON-STERILE	CONTENTS
-	-	1 Sterilisation Wrap 115 x 115 cm
42224	42451	1 Back Table Cover, Reinforced, 152 x 229 cm
89053	79053	2 Tape Strips 10 x 55 cm
-	-	2 Suture Bags: • Double Tape
42345	-	1 Back Table Cover, Reinforced 140 x 190 cm
89313	79313	1 Utility Drape with Tape, 76 x 76 cm
-	76356	1 Perineal Drape 187 x 241 cm: • Split 44 x 95 cm • Positioning Tape • CONTROL [®] Plus Fabric Reinforcement
-	76378	1 CV Split Drape 320 x 224 x 295 cm: • Positioning Tape • CONTROL [®] Plus Fabric Reinforcement
-	78961	1 Bottom Drape 193 x 239 cm: • Positioning Tape • CONTROL [®] Plus Fabric Reinforcement • Tube Holders

All codes in **bold** indicate a sterile product.

See Back Cover for Trademark Information

DILATATION PACK

CODE	DESCRIPTION	ITEMS/CASE
76248	Dilatation Pack	8
STERILE	NON-STERILE	CONTENTS
-	-	1 Sterilisation Wrap 89 x 89 cm
42345	-	1 Back Table Cover, Reinforced, 140 x 190 cm
-	-	1 X-Ray Protection Cover
89701	79720	1 Absorbent Towel 38 x 56 cm
89048	79109	1 Femoral Angiography Drape 211 x 330 cm: • 68 x 330 cm Window • Two 12 cm Diameter Fenestrations • CONTROL [®] Plus Fabric Reinforcement 81 x 122 cm • Positioning Tape



CARDIOVASCULAR PACK III

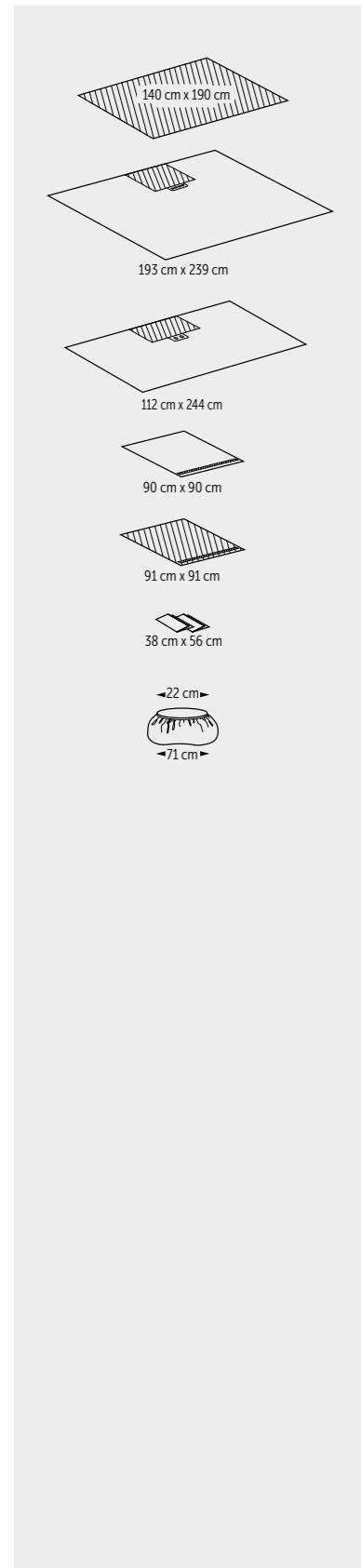
CODE	DESCRIPTION	ITEMS/CASE
77892	Cardiovascular Pack III	3
STERILE	NON-STERILE	CONTENTS
-	-	1 Sterilisation Wrap 115 x 115 cm
42224	42451	1 Back Table Cover, Reinforced, 152 x 229 cm
89053	79053	2 Tape Strips 10 x 55 cm
89701	79720	2 Absorbent Towels 38 x 56 cm
89603	79603	2 Mayo Stand Covers 80 x 145 cm
-	-	1 Perineal Cover 15 x 38 cm
89945	79945	2 Diathermy Pouches 38 x 41 cm
-	-	1 CV Split Drape 295 x 224 x 356 cm • 17 x 233 cm Split • CONTROL [®] Plus Fabric Reinforcement • Armboard Covers
89381	79360	1 Ortho Bar Drape 152 x 254 cm
47614	47616	2 Half Drapes 147 x 101 cm

All codes in **bold** indicate a sterile product.

See Back Cover for Trademark Information

CARDIOVASCULAR & ANGIOGRAPHY PACKS

CARDIOVASCULAR & ANGIOGRAPHY PACKS



PACEMAKER PACK

CODE	DESCRIPTION	ITEMS/CASE
77870	Pacemaker Pack	8
STERILE	NON-STERILE	CONTENTS
-	-	1 Sterilisation Wrap 89 x 89 cm
-	-	1 Back Table Cover, Reinforced 140 x 190 cm
-	-	1 Bottom Drape 193 x 239 cm
-	-	• CONTROL* Plus Fabric Reinforcement
-	-	• Positioning Tape
-	-	1 Bar Drape 112 x 244 cm
-	-	• CONTROL* Plus Fabric Reinforcement
-	-	• Positioning Tape
-	-	1 Utility Drape with Tape 90 x 90 cm
-	-	1 Standard Absorbent Drape 91 x 91 cm
-	-	2 Absorbent Towels 38 x 56 cm
-	-	1 X-Ray Cover 71 cm

CARDIOVASCULAR DRAPES

CVARTS* HEAVY-DUTY SPLIT DRAPE, 274 X 315 X 203 CM

- Armboard Covers
- Split 15 x 213 cm
- Longitudinal Line-Control Flaps
- Heavy-Duty Fabric
- CONTROL* Plus Fabric Reinforcement 58 x 203 cm around Split
- Positioning Tape

CODE	DESCRIPTION	ITEMS/CASE
89452	CVARTS* Heavy-Duty Split Drape, Sterile	6

CVARTS* CV INCISE DRAPE, 274 X 315 X 203 CM

- Armboard Covers
- Chest Adhesive Incise Area 30 x 38 cm
- Leg Adhesive Incise Area 55 x 96 cm
- CONTROL* Plus Fabric Reinforcement 115 x 216 cm
- Longitudinal Flaps
- Tube Holder

CODE	DESCRIPTION	ITEMS/CASE
79466	CVARTS* CV Incise Drape, Non-Sterile	6

CVARTS* BILATERAL UNDERLEG PERINEAL DRAPE, 213 X 203 CM

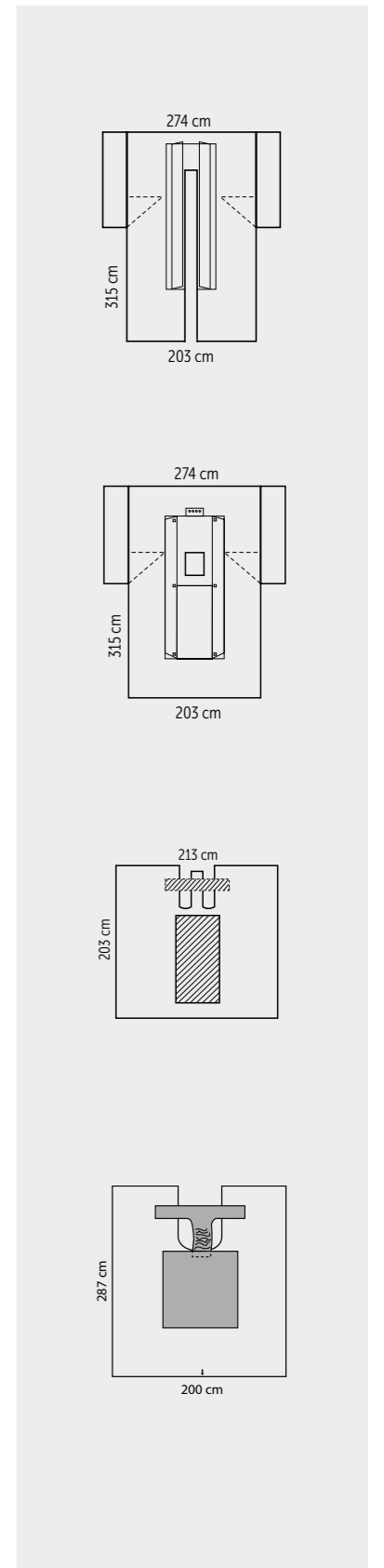
- Impervious Plastic
- Impervious Perineal Cover
- Umbilicus Cover
- CONTROL* Plus Fabric Reinforcement 122 x 76 cm
- Positioning Tape

CODE	DESCRIPTION	ITEMS/CASE
79453	CVARTS* Bilateral Underleg Perineal Drape, Non-Sterile	18

CVARTS* BILATERAL UNDERLEG PERINEAL DRAPE, 200 X 287 CM

- CONTROL* Fabric Reinforcement 127 x 76 cm
- Positioning Tape

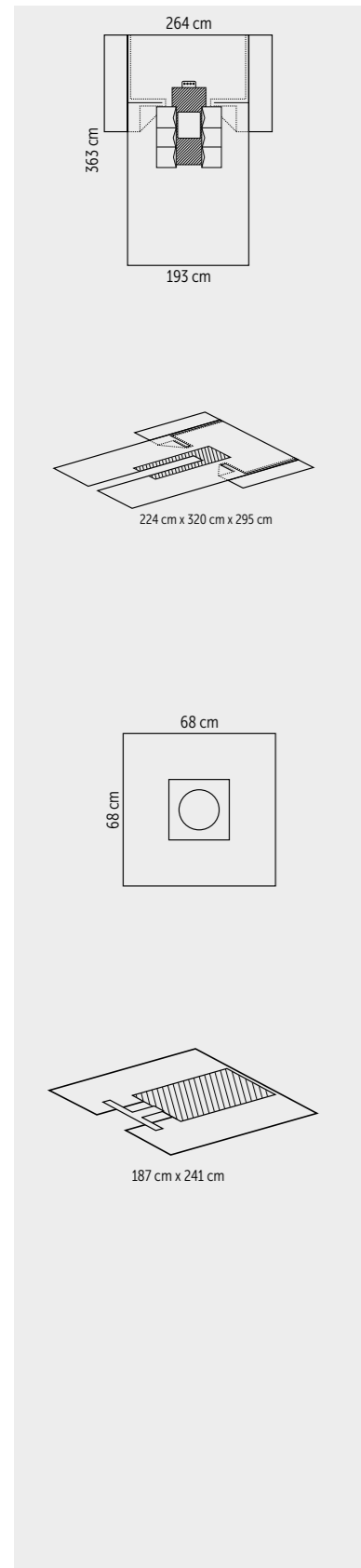
CODE	DESCRIPTION	ITEMS/CASE
K894530	CVARTS* Bilateral Underleg Perineal Drape, Sterile	18
K794530	CVARTS* Bilateral Underleg Perineal Drape, Non-Sterile	18



All codes in **bold** indicate a sterile product.

All codes in **bold** indicate a sterile product.

CARDIOVASCULAR & ANGIOGRAPHY DRAPES



CV INCISE DRAPE, 264 X 363 X 193 CM

- With Pouches
- CONTROL[®] Plus Fabric Reinforcement 122 x 53 cm
- Tube Holders

CODE	DESCRIPTION	ITEMS/CASE
86357	CV Incise Drape, Sterile	12
76357	CV Incise Drape, Non-Sterile	11

CV SPLIT DRAPE, 224 X 320 X 295 CM

- Armboard Covers
- CONTROL[®] Plus Fabric Reinforcement 107 x 216 cm
- Positioning Tape

CODE	DESCRIPTION	ITEMS/CASE
76378	CV Split Drape, Non-Sterile	9

FENESTRATED DRAPE, 68 X 68 CM

- SMS
- Circular Fenestration 18 cm, centered
- CONTROL[®] Fabric Reinforcement 30 x 30 cm

CODE	DESCRIPTION	ITEMS/CASE
K792015	Fenestrated Drape, Non-Sterile	180

PERINEAL DRAPE, 187 X 241 CM

- SMS
- Split 44 x 95 cm
- CONTROL[®] Plus Fabric Reinforcement 99 x 141 cm
- Positioning Tape

CODE	DESCRIPTION	ITEMS/CASE
76356	Perineal Drape, Non-Sterile	17

All codes in **bold** indicate a sterile product.

See Back Cover for Trademark Information

CARDIOVASCULAR & ANGIOGRAPHY DRAPES

DEFIBRILLATOR DRAPE I, 264 X 193 X 345 CM

- Armboard Covers
- Heavy-Duty fabric
- 30 x 51 cm Fenestration with Incise Film
- Two Side Pouches 30 x 66 cm
- One Pocket 38 x 38 cm
- Two Pockets 12 x 17 cm
- Tube Holders

CODE	DESCRIPTION	ITEMS/CASE
76354	Defibrillator Drape I, Non-Sterile	5

ANGIOGRAPHY DRAPES

FEMORAL ANGIOGRAPHY DRAPE, 193 X 279 CM

- SMS
- Two 12 cm Diameter Fenestrations
- CONTROL[®] Plus Fabric Reinforcement 81 x 122 cm
- Positioning Tape

CODE	DESCRIPTION	ITEMS/CASE
89714	Femoral Angiography Drape, Sterile	14
79714	Femoral Angiography Drape, Non-Sterile	160

HALYARD BASICS[®] FEMORAL ANGIOGRAPHY DRAPE, 239 X 350 CM, WITH SINGLE WINDOW

- SMS
- Two 12 cm Diameter Fenestrations
- 68 x 315 cm Window

CODE	DESCRIPTION	ITEMS/CASE
79582	HALYARD BASICS [®] Femoral Angiography Drape with Single Window, Non-Sterile	24

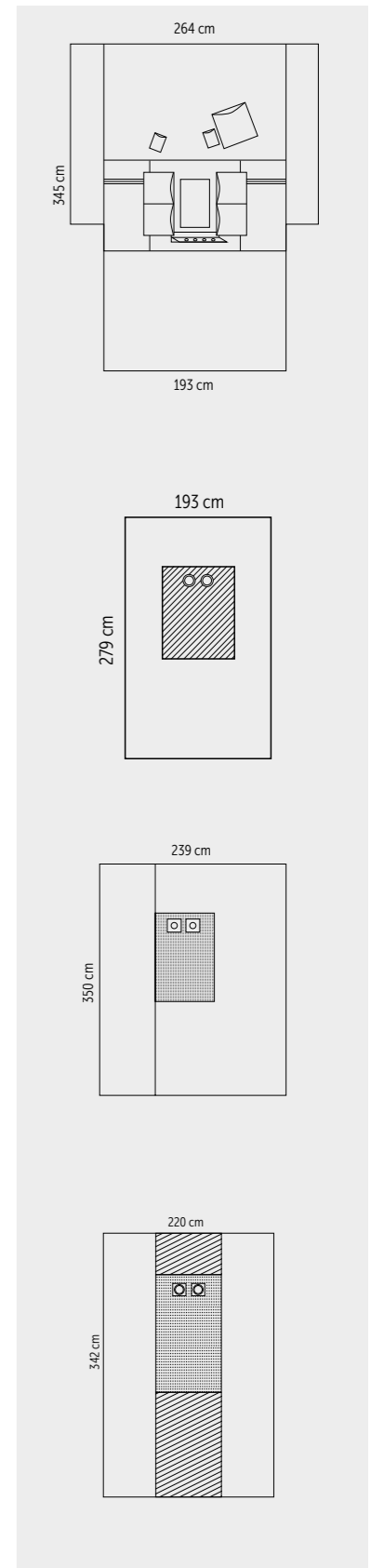
EXTRA-LONG FEMORAL ANGIOGRAPHY DRAPE, 220 X 342 CM, WITH DUAL WINDOWS

- SMS
- Two 12.7 cm Diameter Fenestrations (8.8 cm Diameter Incise)
- Two 69 x 342 cm Windows
- CONTROL[®] Plus Fabric Reinforcement 81 x 152 cm

CODE	DESCRIPTION	ITEMS/CASE
13296	Extra-Long Femoral Angiography Drape, Non-Sterile	180

All codes in **bold** indicate a sterile product.

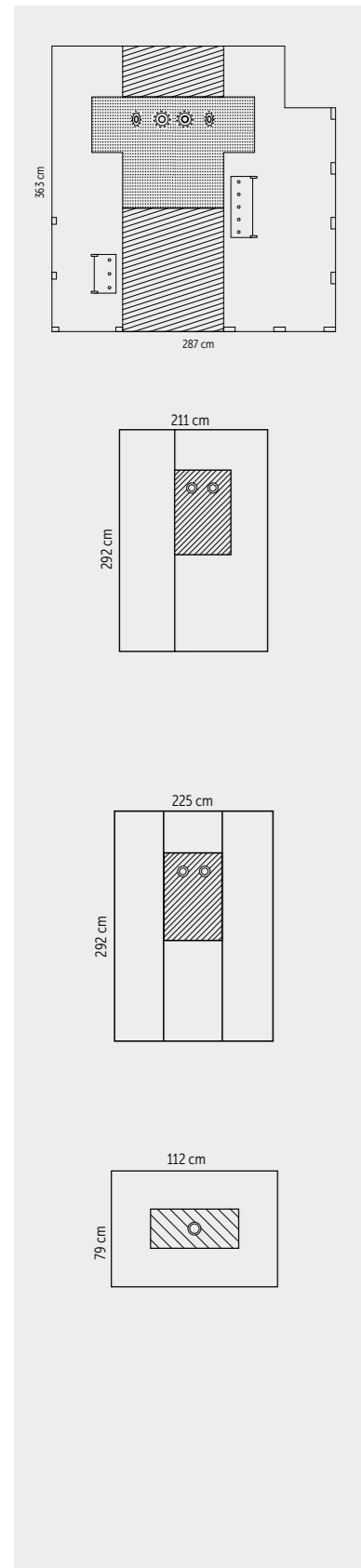
See Back Cover for Trademark Information



Cardiovascular & Angiography Drapes

CARDIOVASCULAR & ANGIOGRAPHY DRAPES

CARDIOVASCULAR & ANGIOGRAPHY DRAPES



ACIST CVI® DRAPE, 287 X 363 CM

- SMS
- Enlarged Windows fit to cover the ACIST® Equipment
- Special Opening for passing ACIST® Manifold
- Two Femoral Fenestrations
- Two Radial Fenestrations
- CONTROL® Fabric Reinforcement
- Positioning Tabs on the Windows

CODE	DESCRIPTION	ITEMS/CASE
K797065	ACIST CVI® Drape, Non-Sterile	22

FEMORAL ANGIOGRAPHY DRAPE, 211 X 292 CM, WITH SINGLE WINDOW

- SMS
- Two 12 cm Diameter Fenestrations
- 68 x 292 cm Window
- CONTROL® Plus Fabric Reinforcement 81 x 122 cm
- Positioning Tape

CODE	DESCRIPTION	ITEMS/CASE
89715	Femoral Angiography Drape with Single Window, Sterile	16
79715	Femoral Angiography Drape with Single Window, Non-Sterile	200

FEMORAL ANGIOGRAPHY DRAPE, 225 X 292 CM, WITH DUAL WINDOWS

- SMS
- Two 12 cm Diameter Fenestrations
- Dual 68 x 292 cm Windows
- CONTROL® Plus Fabric Reinforcement 81 x 122 cm
- Positioning Tape

CODE	DESCRIPTION	ITEMS/CASE
89716	Femoral Angiography Drape with Dual Windows, Sterile	18
79716	Femoral Angiography Drape with Dual Windows, Non-Sterile	200

BRACHIAL ANGIOGRAPHY DRAPE, 112 X 79 CM

- SMS
- 8 cm Circular Fenestration
- CONTROL® Plus Fabric Reinforcement, 27 x 61 cm
- Positioning Tape

CODE	DESCRIPTION	ITEMS/CASE
89471	Brachial Angiography Drape, Sterile	50

All codes in **bold** indicate a sterile product.

See Back Cover for Trademark Information

IMPERVIOUS EXTRA-LONG FEMORAL ANGIOGRAPHY DRAPE, 221 X 343 CM, WITH DUAL WINDOWS

- SMS
- Two 12 cm Diameter Fenestrations
- Fabric Reinforcement 343 x 81 cm
- Two Dual Plastic Windows (343 x 70 cm)
- Extra Long Film Based Drape
- Incise with Release Liner

CODE	DESCRIPTION	ITEMS/CASE
79749	Impervious Extra-Long Femoral Angiography Drape, Non-Sterile	144

FEMORAL ANGIOGRAPHY DRAPE, 193 X 330 CM

- SMS
- Two 12 cm Diameter Fenestrations
- CONTROL® Plus Fabric Reinforcement 81 x 122 cm
- Positioning Tape

CODE	DESCRIPTION	ITEMS/CASE
79063	Femoral Angiography Drape, Non-Sterile	160

FEMORAL ANGIOGRAPHY DRAPE, 211 X 330 CM, WITH SINGLE WINDOW

- SMS
- 68 x 330 cm Window
- Two 12 cm Diameter Fenestrations
- CONTROL® Plus Fabric Reinforcement 81 x 122 cm
- Positioning Tape

CODE	DESCRIPTION	ITEMS/CASE
89048	Femoral Angiography Drape with Single Window, Sterile	16
79109	Femoral Angiography Drape with Single Window, Non-Sterile	200

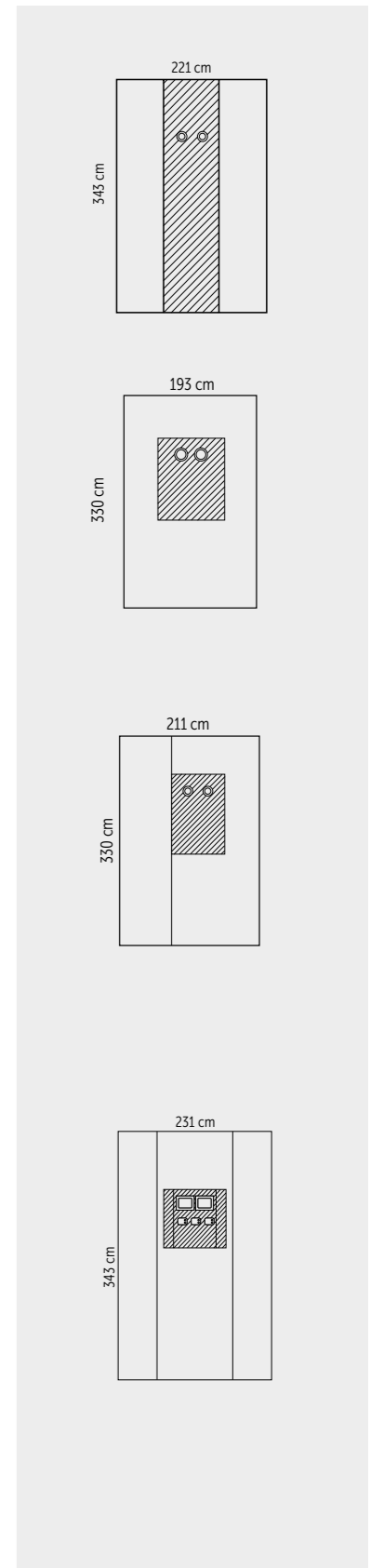
PACEMAKER DRAPE WITH FENESTRATED INCISE, 231 X 343 CM

- SMS
- Absorbent CONTROL® Plus fabric reinforcement with pockets 25 cm deep
- Two 7 x 12 cm fenestrations
- Tube Holders
- Dual Clear Film Poly Windows

CODE	DESCRIPTION	ITEMS/CASE
29229	Pacemaker Drape with Fenestrated Incise, Sterile	12
29231	Pacemaker Drape with Fenestrated Incise, Non-Sterile	12

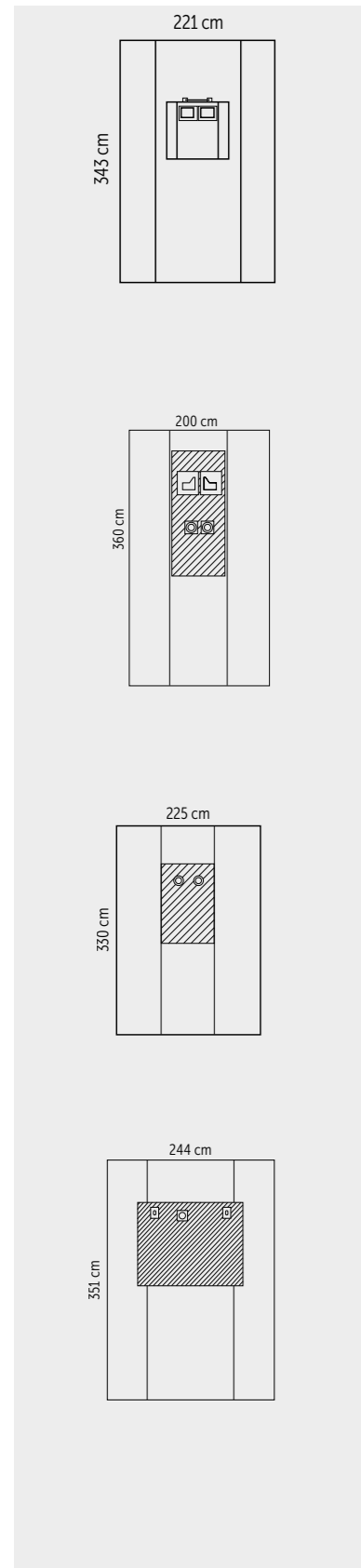
All codes in **bold** indicate a sterile product.

See Back Cover for Trademark Information



CARDIOVASCULAR & ANGIOGRAPHY DRAPES

CARDIOVASCULAR & ANGIOGRAPHY DRAPES



PACEMAKER DRAPE, 221 X 343 CM

- SMS
- CONTROL* Plus Fabric Reinforcement 81 x 89 cm
- Two 20 x 15 cm Fenestrations with Incise 25 x 20 cm
- Dual Clear Film Poly Windows 56 x 343 cm

CODE	DESCRIPTION	ITEMS/CASE
89368	Pacemaker Drape, Sterile	11
79368	Pacemaker Drape, Non-Sterile	12

FEMORAL ANGIOGRAPHY/IJ ACCESS COMBINATION DRAPE, 200 X 360 CM

- SMS
- Absorbent CONTROL* Plus fabric reinforcement
- Two 9 cm adhesive circular fenestrations
- Two 18 x 18 cm trapezoidal fenestrations
- Clear Side Poly Windows

CODE	DESCRIPTION	ITEMS/CASE
29225	Femoral Angiography/IJ Access Combination Drape, Sterile	15
29226	Femoral Angiography/IJ Access Combination Drape, Non-Sterile	15

FEMORAL ANGIOGRAPHY DRAPE, 225 X 330 CM, WITH DUAL WINDOWS

- SMS
- Dual 68 x 330 cm Windows
- Two 12 cm Diameter Fenestrations
- CONTROL* Plus Fabric Reinforcement 81 x 122 cm
- Positioning Tape

CODE	DESCRIPTION	ITEMS/CASE
7776	Femoral Angiography Drape with Dual Windows, Sterile	14
76386	Femoral Angiography Drape with Dual Windows, Non-Sterile	200

RADIAL FEMORAL ANGIOGRAPHY DRAPE, 244 X 351 CM

- SMS
- Dual Windows 63 x 350 cm
- CONTROL* Plus Fabric Reinforcement 122 x 154 cm
- Two Oval Radial Fenestrations 12 x 7.6 cm
- One Round Femoral Fenestration, Diameter 12.7 cm

CODE	DESCRIPTION	ITEMS/CASE
76681	Radial Femoral Angiography Drape, Non-Sterile	150

All codes in **bold** indicate a sterile product.

See Back Cover for Trademark Information

PAEDIATRIC FEMORAL ANGIOGRAPHY DRAPE, 193 X 310 CM, WITH SINGLE WINDOW

- SMS
- 64 x 215 cm Window
- Two 7.6 cm Diameter Fenestrations
- CONTROL* Plus Fabric Reinforcement 122 x 61 cm
- Positioning Tape

CODE	DESCRIPTION	ITEMS/CASE
77382	Paediatric Femoral Angiography Drape with Single Window, Sterile	25
76382	Paediatric Femoral Angiography Drape with Single Window, Non-Sterile	14

HALYARD BASICS* RADIAL FEMORAL ANGIOGRAPHY DRAPE, 240 X 380 CM, WITH DUAL WINDOWS

- SMS
- Dual Windows 63 x 380 cm
- Two Oval Radial Fenestrations 12 x 7.6 cm
- Two Round Femoral Fenestrations, Diameter 12.7 cm

CODE	DESCRIPTION	ITEMS/CASE
89583	HALYARD BASICS* Radial Femoral Angiography Drape with Dual Windows, Sterile	12
79583	HALYARD BASICS* Radial Femoral Angiography Drape with Dual Windows, Non-Sterile	14

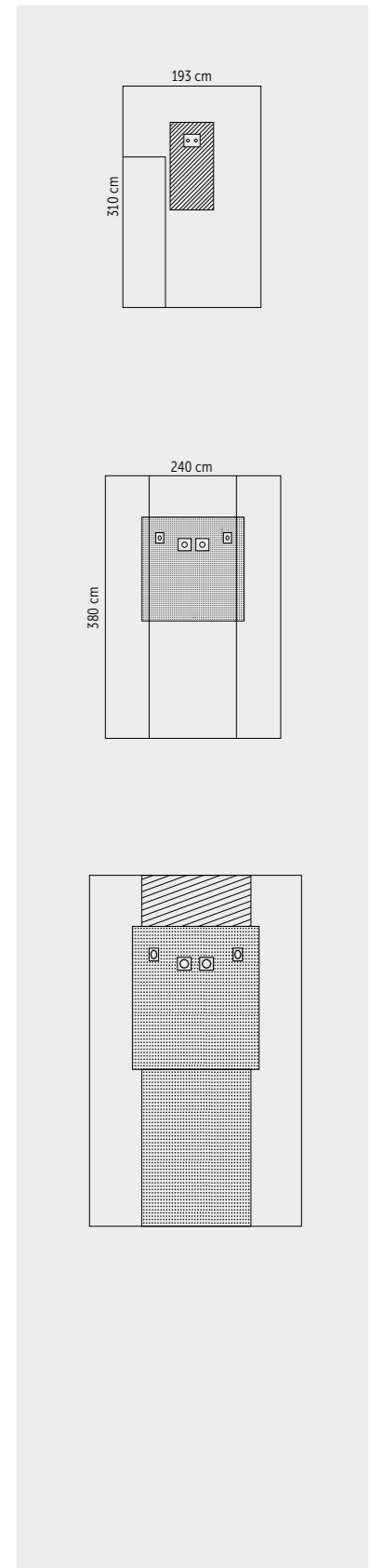
IMPERVIOUS RADIAL FEMORAL ANGIOGRAPHY DRAPE, WITH DUAL WINDOWS

- SMS
- Dual Windows 72 x 381 cm
- Two Round Fenestrations, Diameter 13.3 cm
- Two Oval Fenestrations 7.6 x 12.7 cm
- CONTROL* Fabric Reinforcement
- Extra CONTROL* Fabric Reinforcement at the Bottom
- Non-Sterile

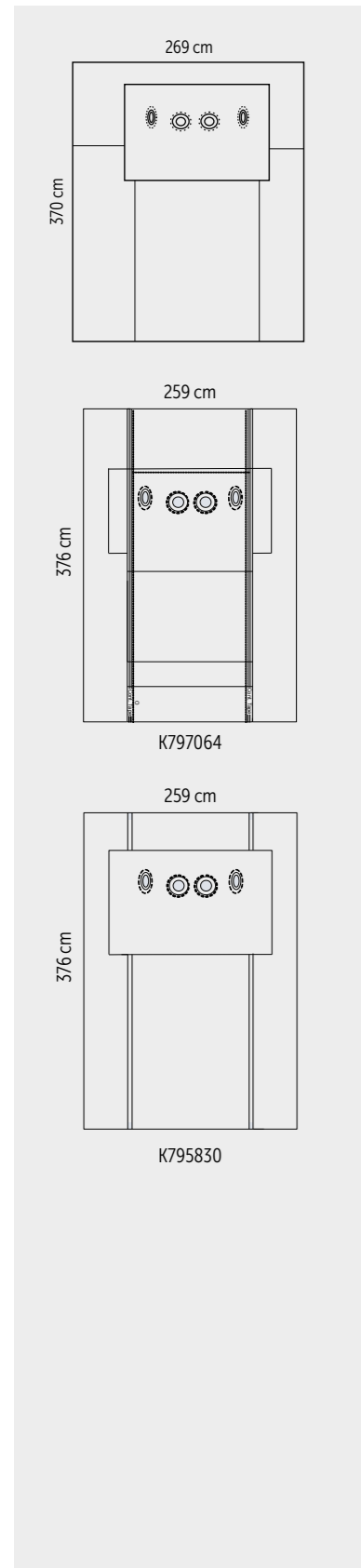
CODE	SIZE	REINFORCEMENT	ITEMS/CASE	
K797067	264 x 381 cm	137 x 180 cm	Extra 120 x 161 cm	20
K797160	234 x 381 cm	157 x 122 cm	Extra 91 x 220 cm	16

All codes in **bold** indicate a sterile product.

See Back Cover for Trademark Information



CARDIOVASCULAR & ANGIOGRAPHY DRAPES



IMPERVIOUS RADIAL FEMORAL ANGIOGRAPHY DRAPE, 269 X 370 CM, WITH DUAL WINDOWS

- SMS/Film Laminate
- Two Plastic Dual Windows 73.7 x 274 cm & 127 x 274 cm
- Reinforcement with Fenestrations size 121.9 x 157.5 cm
- Two Oval Fenestrations 11.7 x 8.9 cm
- Two Round Fenestrations, Diameter 12.7 cm

CODE	DESCRIPTION	ITEMS/CASE
K797162	Impervious Radial Femoral Angiography Drape with Dual Windows, Non-Sterile	20

RADIAL FEMORAL ANGIOGRAPHY DRAPE, 259 X 376 CM, WITH DUAL WINDOWS

- SMS
- CONTROL* Plus Fabric Reinforcement 165 x 122 cm & 128 x 122 cm & 30.5 x 122 cm
- Two Oval Radial Fenestrations 8.9 x 12.1 cm
- Two Round Femoral Fenestrations, Diameter 12.7 cm
- Dual Clear Film Poly Windows
- Positioning Tape

CODE	DESCRIPTION	ITEMS/CASE
K797064	Radial Femoral Angiography Drape with Dual Windows, Non-Sterile	20
K795830	Radial Femoral Angiography Drape, 4 holes	14

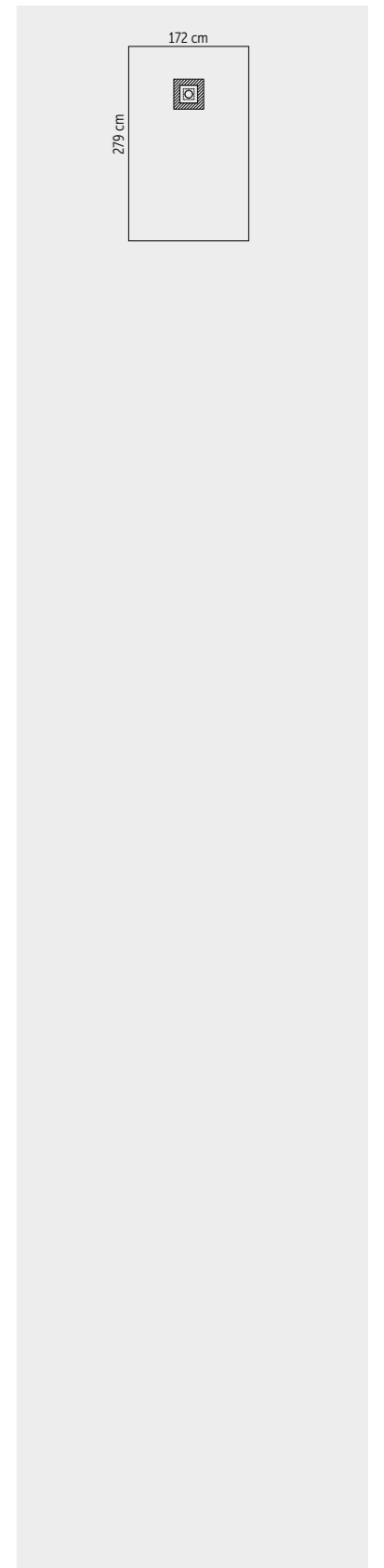
CATHETER PLACEMENT

CATHETER PLACEMENT DRAPES

CVC DRAPE, SINGLE FENESTRATION, 172 X 279 CM

- SMS
- Absorbent CONTROL* Plus Fabric Reinforcement
- 10 cm Fenestration
- Incise Window

CODE	DESCRIPTION	ITEMS/CASE
29149	CVC Drape, Single Fenestration, Sterile	20
29148	CVC Drape, Single Fenestration, Non-Sterile	27

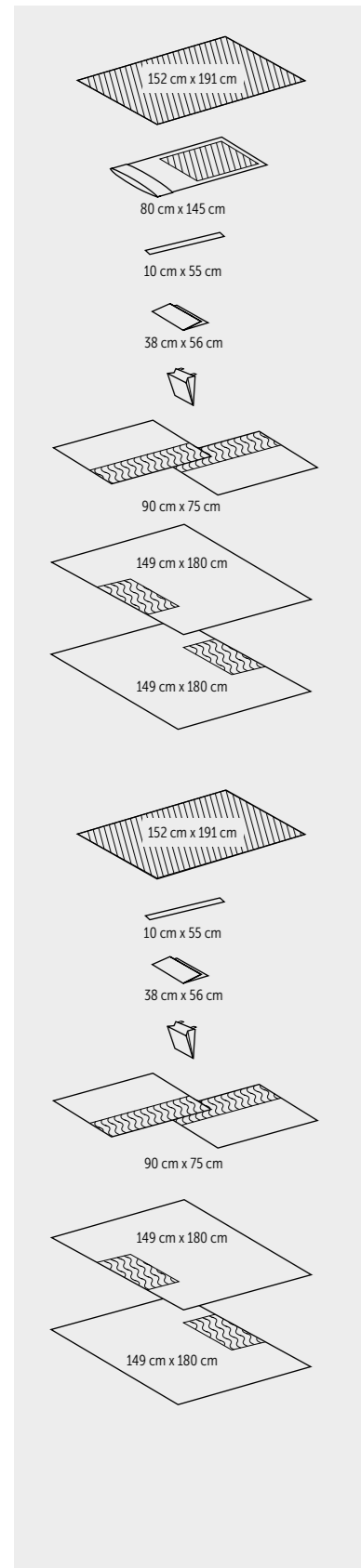


All codes in **bold** indicate a sterile product.

All codes in **bold** indicate a sterile product.

PAEDIATRICS

PAEDIATRICS PACKS



UNIVERSAL PACK, SMALL

CODE	DESCRIPTION	ITEMS/CASE
88762	Universal Pack, Small, incl. Mayo Stand Cover	11
STERILE	NON-STERILE	CONTENTS
-	-	1 Sterilisation Wrap 96 x 96 cm
89603	79603	1 Mayo Stand Cover 80 x 145 cm
42222	42428	1 Back Table Cover, Reinforced 152 x 191 cm
89053	79053	1 Tape Strip 10 x 55 cm
89701	79720	1 Absorbent Towel 38 x 56 cm
-	-	1 Suture Bag
-	-	2 Side Drapes 90 x 75 cm: <ul style="list-style-type: none"> • Positioning Tape, 2.5 cm width • CONTROL[®] Plus Fabric Reinforcement
-	79214	1 Bottom Drape 149 x 180 cm: <ul style="list-style-type: none"> • Positioning Tape, 2.5 cm width • CONTROL[®] Plus Fabric Reinforcement
-	79215	1 Top Drape 149 x 180 cm: <ul style="list-style-type: none"> • Positioning Tape, 2.5 cm width • CONTROL[®] Plus Fabric Reinforcement

UNIVERSAL PACK, SMALL

CODE	DESCRIPTION	ITEMS/CASE
88763	Universal Pack, Small, excl. Mayo Stand Cover	11
STERILE	NON-STERILE	CONTENTS
-	-	1 Sterilisation Wrap 96 x 96 cm
42222	42428	1 Back Table Cover, Reinforced 152 x 191 cm
89053	79053	1 Tape Strip 10 x 55 cm
89701	79720	1 Absorbent Towel 38 x 56 cm
-	-	2 Side Drapes 90 x 75 cm: <ul style="list-style-type: none"> • Positioning Tape, 2.5 cm width • CONTROL[®] Plus Fabric Reinforcement
-	79214	1 Bottom Drape 149 x 180 cm: <ul style="list-style-type: none"> • Positioning Tape, 2.5 cm width • CONTROL[®] Plus Fabric Reinforcement
-	79215	1 Top Drape 149 x 180 cm: <ul style="list-style-type: none"> • Positioning Tape, 2.5 cm width • CONTROL[®] Plus Fabric Reinforcement

All codes in **bold** indicate a sterile product.

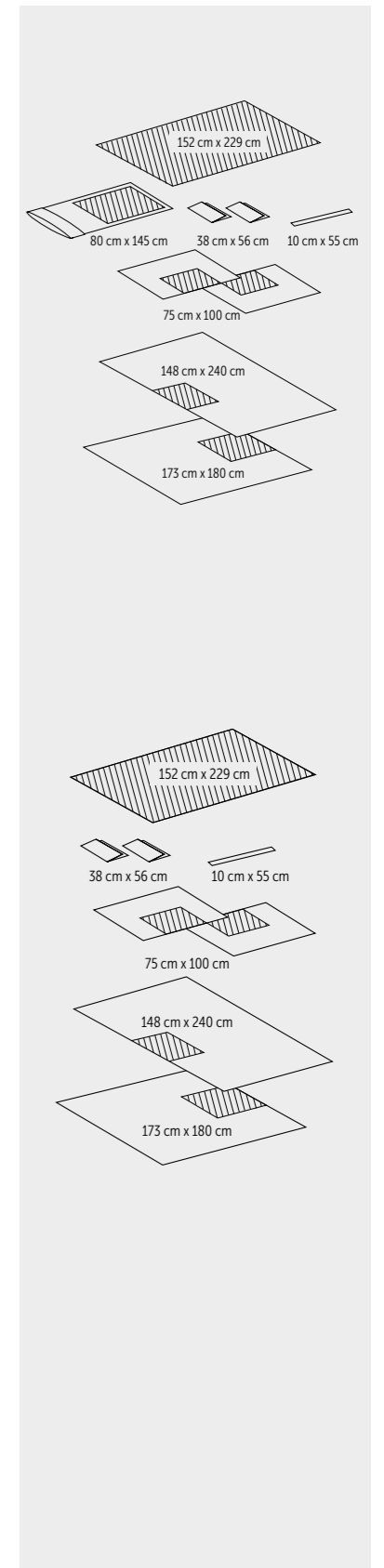
See Back Cover for Trademark Information

PAEDIATRICS

PAEDIATRICS PACKS

UNIVERSAL PACK

CODE	DESCRIPTION	ITEMS/CASE
88100	Universal Pack, incl. Mayo Stand Cover	12
STERILE	NON-STERILE	CONTENTS
42224	42451	1 Back Table Cover, Reinforced 152 x 229 cm
89603	79603	1 Mayo Stand Cover 80 x 145 cm
89053	79053	1 Tape Strip 10 x 55 cm
89701	79720	2 Absorbent Towels 38 x 56 cm
-	79012	2 Side Drapes 75 x 100 cm: <ul style="list-style-type: none"> • Positioning Tape • CONTROL[®] Plus Fabric Reinforcement
-	79011	1 Bottom Drape 173 x 180 cm: <ul style="list-style-type: none"> • Positioning Tape • CONTROL[®] Plus Fabric Reinforcement
-	79010	1 Top Drape 148 x 240 cm: <ul style="list-style-type: none"> • Positioning Tape • CONTROL[®] Plus Fabric Reinforcement



UNIVERSAL PACK

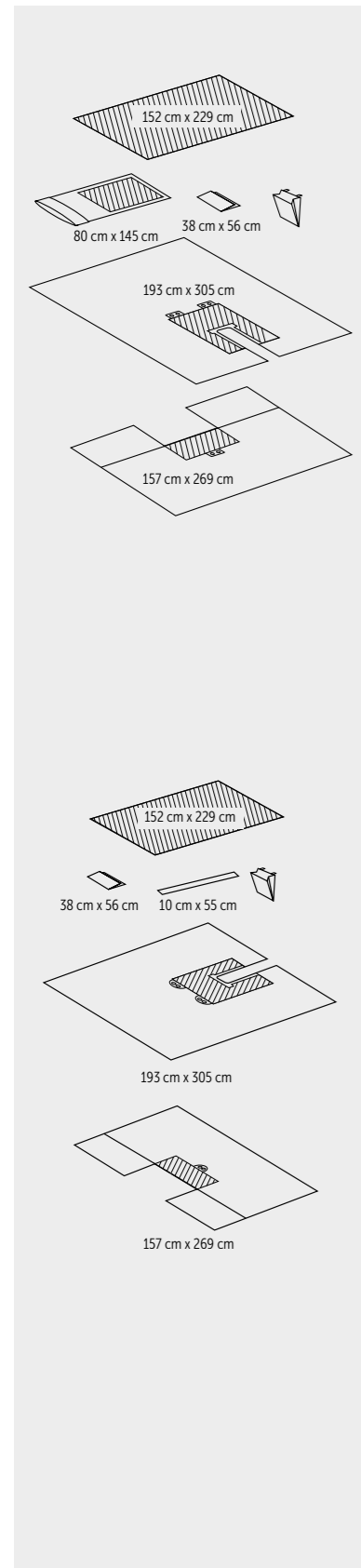
CODE	DESCRIPTION	ITEMS/CASE
88103	Universal Pack, excl. Mayo Stand Cover	12
STERILE	NON-STERILE	CONTENTS
-	-	1 Sterilisation Wrap 96 x 96 cm
42224	42451	1 Back Table Cover, Reinforced 152 x 229 cm
89053	79053	1 Tape Strip 10 x 55 cm
89701	79720	2 Absorbent Towels 38 x 56 cm
-	79012	2 Side Drapes 75 x 100 cm: <ul style="list-style-type: none"> • Positioning Tape • CONTROL[®] Plus Fabric Reinforcement
-	79011	1 Bottom Drape 173 x 180 cm: <ul style="list-style-type: none"> • Positioning Tape • CONTROL[®] Plus Fabric Reinforcement
-	79010	1 Top Drape 148 x 240 cm: <ul style="list-style-type: none"> • Positioning Tape • CONTROL[®] Plus Fabric Reinforcement

All codes in **bold** indicate a sterile product.

See Back Cover for Trademark Information

PAEDIATRICS PACKS

PAEDIATRICS PACKS



U-BAR* PACK VI

CODE	DESCRIPTION	ITEMS/CASE
77794	U-BAR* Pack VI	9
STERILE	NON-STERILE	CONTENTS
-	-	1 Sterilisation Wrap 96 x 96 cm
-	42451	1 Back Table Cover, Reinforced 152 x 229 cm
89603	79603	1 Mayo Stand Cover 80 x 145 cm
89701	79720	1 Absorbent Towel 38 x 56 cm
-	-	1 Suture Bag
-	76361	1 U-Drape 193 x 305 cm: • Split 10 x 101 cm • Positioning Tape • CONTROL* Plus Fabric Reinforcement • Tube Holders
-	76363	1 Bar Drape 157 x 269 cm: • Armboard Covers • Positioning Tape • CONTROL* Plus Fabric Reinforcement • Tube Holders

U-BAR* PACK

CODE	DESCRIPTION	ITEMS/CASE
77853	U-BAR* Pack	10
STERILE	NON-STERILE	CONTENTS
-	-	1 Sterilisation Wrap 89 x 89 cm
-	42451	1 Back Table Cover, Reinforced 152 x 229 cm
89701	79720	1 Absorbent Towel 38 x 56 cm
-	-	1 Suture Bag
-	76361	1 U-Drape 193 x 305 cm: • Split 10 x 101 cm • Positioning Tape • CONTROL* Plus Fabric Reinforcement • Tube Holders
-	76363	1 Bar Drape 157 x 269 cm: • Armboard Covers • Positioning Tape • CONTROL* Plus Fabric Reinforcement • Tube Holders
89053	79053	1 Tape Strip 10 x 55 cm

All codes in **bold** indicate a sterile product.

See Back Cover for Trademark Information

SMALL PROCEDURE PACK II

CODE	DESCRIPTION	ITEMS/CASE
77717	Small Procedure Pack II	10
STERILE	NON-STERILE	CONTENTS
-	-	Sterilisation Wrap 89 x 89 cm
42222	42428	1 Back Table Cover, Reinforced 152 x 191 cm
-	-	1 Fenestrated Drape 211 x 241 cm: • Circular Fenestration 12 cm centered • CONTROL* Plus Fabric Reinforcement
89701	79720	2 Absorbent Towels 38 x 56 cm
89053	79053	1 Tape Strip 10 x 55 cm

HALYARD BASICS* BASIC PACK

CODE	DESCRIPTION	ITEMS/CASE
89682	HALYARD BASICS* Basic Pack	10
STERILE	NON-STERILE	CONTENTS
89632	79741	1 Back Table Cover, Zone Reinforced, 100 x 150 cm: • Spunbond
89679	79783	4 Utility Drapes with Tape, 90 x 90 cm: • Spunbond Film

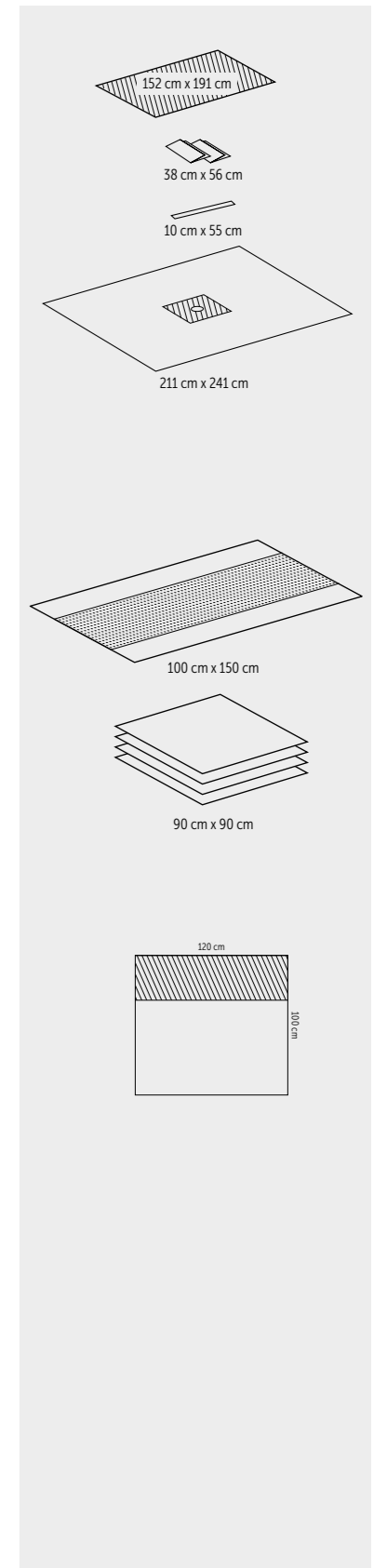
SIDE DRAPE WITH ADHESIVE, 120 X 100 CM

- SMS
- Adhesive size 2,5cm x 120 cm

CODE	DESCRIPTION	ITEMS/CASE
K795805	Side Drape with Adhesive	70

All codes in **bold** indicate a sterile product.

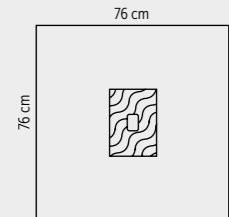
See Back Cover for Trademark Information



PAEDIATRICS DRAPES

PAEDIATRICS DRAPES

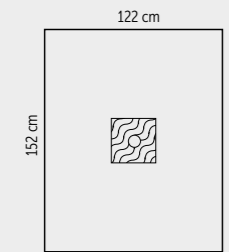
FENESTRATED DRAPES



MINOR PROCEDURE FENESTRATED DRAPE, 76 X 76 CM

- Fenestration 3 x 5 cm
- CONTROL[®] Fabric Reinforcement 12 x 20 cm
- Positioning Tape

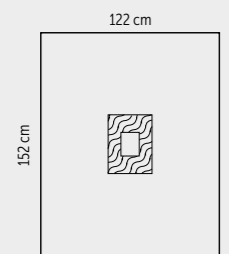
CODE	DESCRIPTION	ITEMS/CASE	ITEMS/DISPENSER	DISPENSERS/CASE
89206	Minor Procedure Fenestrated Drape, Sterile	100	25 x 4	4
79206	Minor Procedure Fenestrated Drape, Non-Sterile	250 -	-	-



MINOR PROCEDURE FENESTRATED DRAPE, 122 X 152 CM

- Fenestration (Diameter 7 cm)
- CONTROL[®] Fabric Reinforcement 31 x 31 cm
- Positioning Tape

CODE	DESCRIPTION	ITEMS/CASE
89207	Minor Procedure Fenestrated Drape, Sterile	40
79207	Minor Procedure Fenestrated Drape, Non-Sterile	60



MINOR PROCEDURE FENESTRATED DRAPE, 122 X 152 CM

- Fenestration 12 x 15 cm
- CONTROL[®] Fabric Reinforcement 41 x 31 cm
- Positioning Tape

CODE	DESCRIPTION	ITEMS/CASE
89208	Minor Procedure Fenestrated Drape, Sterile	40
79208	Minor Procedure Fenestrated Drape, Non-Sterile	60

All codes in **bold** indicate a sterile product.

See Back Cover for Trademark Information

BREAST/CHEST DRAPES

BREAST DRAPE, 254 X 315 X 193 CM

- Fenestration 15 x 15 cm
- CONTROL[®] Fabric Reinforcement 51 x 71 cm
- Hook and Loop Tube and Line Control
- Armboard Covers

CODE	DESCRIPTION	ITEMS/CASE
89236	Breast Drape, Sterile	10
79236	Breast Drape, Non-Sterile	20

ANGIOGRAPHY DRAPES

PAEDIATRIC FEMORAL ANGIOGRAPHY DRAPE, 193 X 310 CM, WITH SINGLE WINDOW

- 64 x 215 cm Window
- Two 7.6 cm Diameter Fenestrations
- CONTROL[®] Plus Fabric Reinforcement 122 x 61 cm
- Positioning Tape

CODE	DESCRIPTION	ITEMS/CASE
77382	Paediatric Femoral Angiography Drape with Single Window, Sterile	25
76382	Paediatric Femoral Angiography Drape with Single Window, Non-Sterile	14

BABY BLANKETS

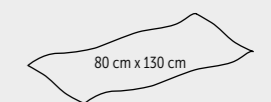
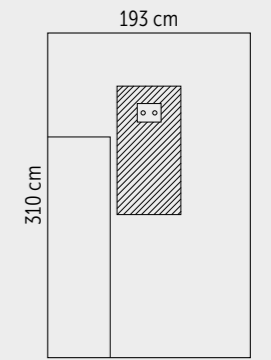
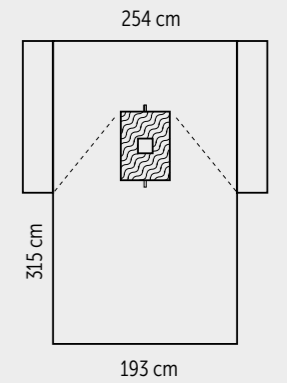
BABY BLANKET, 80 X 130 CM

- Absorbent

CODE	DESCRIPTION	ITEMS/CASE
76394	Baby Blanket, Non-Sterile	141

All codes in **bold** indicate a sterile product.

See Back Cover for Trademark Information



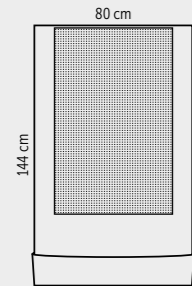
EQUIPMENT COVERS

EQUIPMENT COVERS

EQUIPMENT COVERS

MAYO STAND COVERS

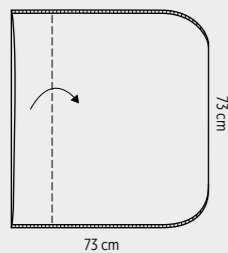
MAYO STAND COVERS



CODE STERILE	NON-STERILE	DESCRIPTION	STERILE	ITEMS/CASE NON-STERILE
89601	79601	58 x 137 cm	54	150
-	79602	76 x 145 cm	-	120
89603	79603	80 x 145 cm	44	120
47348	78657	HALYARD BASICS® Mayo Stand Cover, 80 x 144 cm: • Zone-Reinforced • Spunbond	40	90
14007	76358	Reinforced Mayo Stand Cover, 76 x 145 cm: • CONTROL® Plus Fabric Reinforcement 61 x 76 cm	44	68
77883	-	Mayo Cover Reinforcement 60 x 80 cm: • CONTROL® Plus Fabric Reinforcement	50	-
77452	-	Large Mayo Stand Cover, 121 x 182 cm • CONTROL® Plus Fabric Reinforcement 119 x 88 cm • Cuff 18 cm	15	-
-	K796011	Reinforced Mayo Stand Cover, 80 x 145 cm • CONTROL® Fabric Reinforcement	-	60
-	K796012	Reinforced Mayo Stand Cover, 95 x 195 cm • CONTROL® Fabric Reinforcement	-	54

STOOL COVERS

STOOL COVER



CODE STERILE	NON-STERILE	DESCRIPTION	STERILE	ITEMS/CASE NON-STERILE
K103600	K103502	Stool Cover, 73 x 73 cm, Non-Sterile • SMS	140	150

All codes in **bold** indicate a sterile product.

See Back Cover for Trademark Information

BACK TABLE COVERS

BACK TABLE COVERS, ZONE-REINFORCED

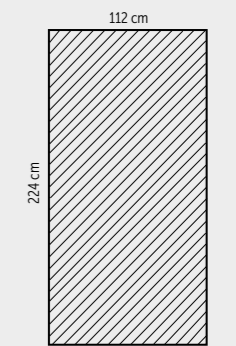
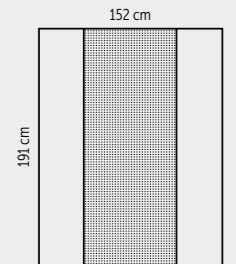
CODE STERILE	NON-STERILE	DESCRIPTION	STERILE	ITEMS/CASE NON-STERILE
89632	79741	HALYARD BASICS® Back Table Cover, Zone-Reinforced, 100 x 150 cm: • Spunbond	50	70
88673	78669	HALYARD BASICS® Back Table Cover, Zone-Reinforced, 152 x 191 cm: • Spunbond	20	50

BACK TABLE COVERS, REINFORCED

CODE STERILE	NON-STERILE	DESCRIPTION	STERILE	ITEMS/CASE NON-STERILE
42217	42448	Back Table Cover, Reinforced, 112 x 229 cm	28	640
-	42447	Back Table Cover, Reinforced, 112 x 198 cm	-	800
-	42446	Back Table Cover, Reinforced, 112 x 112 cm	-	1280
-	42228	Back Table Cover, Reinforced, 178 x 279 cm	36	320
-	42449	Back Table Cover, Reinforced, 127 x 229 cm	-	560
42222	42428	Back Table Cover, Reinforced, 152 x 191 cm	28	540
-	42481	Back Table Cover, Reinforced, 152 x 152 cm	-	660
-	42225	Back Table Cover, Reinforced, 152 x 229 cm	-	480
-	42409	Back Table Cover, Reinforced, Fan Fold, 178 x 279 cm	36	200
-	42366	Back Table Cover, Reinforced, Heavy Duty, Fan Fold, 152 x 229 cm	-	200
-	42367	Back Table Cover, Reinforced, Heavy Duty, 178 x 279 cm	-	160
-	42302	Back Table Cover, Reinforced, Fan Fold, 112 x 224 cm	-	60
42345	42365	Back Table Cover, Reinforced, 140 x 190 cm	24	420
-	42480	Back Table Cover, Reinforced, 150 x 150 cm	-	720
42224	42451	Back Table Cover, Reinforced, 152 x 229 cm	36	480
42312	42313	Back Table Cover, Reinforced, 191 x 201 cm	20	32
-	76372	Back Table Cover 190 x 240 cm with CONTROL® Plus Fabric Reinforcement 102 x 240 cm	-	8
42309	-	Back Table Cover, Reinforced, Heavy Duty, 177 x 279 cm	15	-
-	47520	Back Table Cover, Standard, 152 x 191 cm	-	480

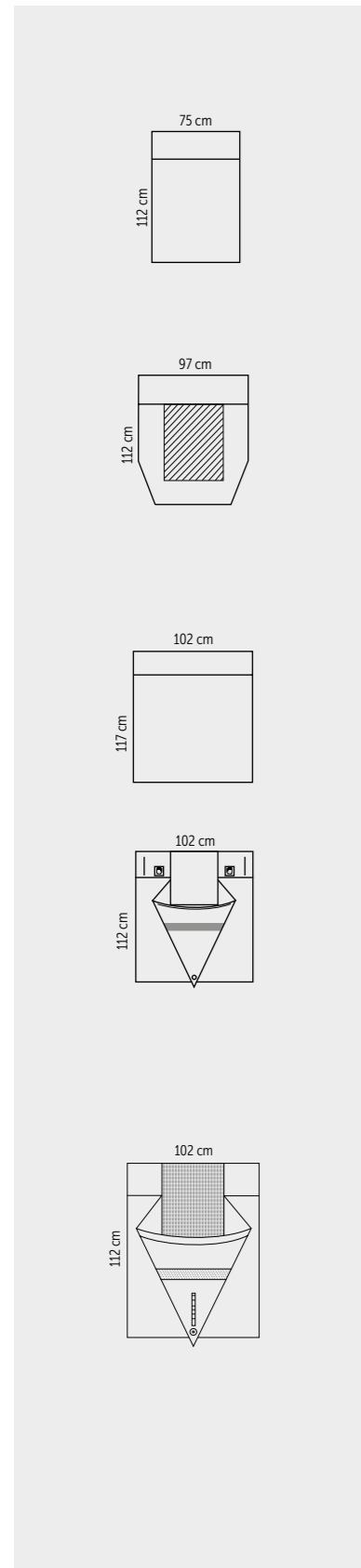
All codes in **bold** indicate a sterile product.

See Back Cover for Trademark Information



ACCESSORIES

ACCESSORIES



UNDER BUTTOCKS DRAPE

UNDER BUTTOCKS DRAPE, PLASTIC, 75 X 112 CM

CODE	DESCRIPTION	ITEMS/CASE
89411	Under Buttocks Drape, Plastic, Sterile	48

UNDER BUTTOCKS DRAPE, ZONE REINFORCED, MEDIUM, 97 X 112 CM

- Film Fabric Reinforcement

CODE	DESCRIPTION	ITEMS/CASE
79411	Under Buttocks Drape, Zone Reinforced, Medium, Non-Sterile	115

UNDER BUTTOCKS DRAPE, PLASTIC REINFORCED, LARGE, 102 X 117 CM

CODE	DESCRIPTION	ITEMS/CASE
89413	Under Buttocks Drape, Plastic Reinforced, Large, Sterile	50

UNDER BUTTOCKS DRAPE, 102 X 112 CM

- With Fluid Collection Pouch, Screen and Suction Port
- Adhesive Pouch Closure

CODE	DESCRIPTION	ITEMS/CASE
89415	Under Buttocks Drape, Sterile	40
79415	Under Buttocks Drape, Non-Sterile	100

HALYARD BASICS* UNDER BUTTOCKS DRAPE, 102 X 112 CM

- With Graduated Fluid Collection Pouch
- Spunbond

CODE	DESCRIPTION	ITEMS/CASE
89584	HALYARD BASICS* Under Buttocks Drape, Sterile	65
79584	HALYARD BASICS* Under Buttocks Drape, Non-Sterile	90

All codes in **bold** indicate a sterile product.

See Back Cover for Trademark Information

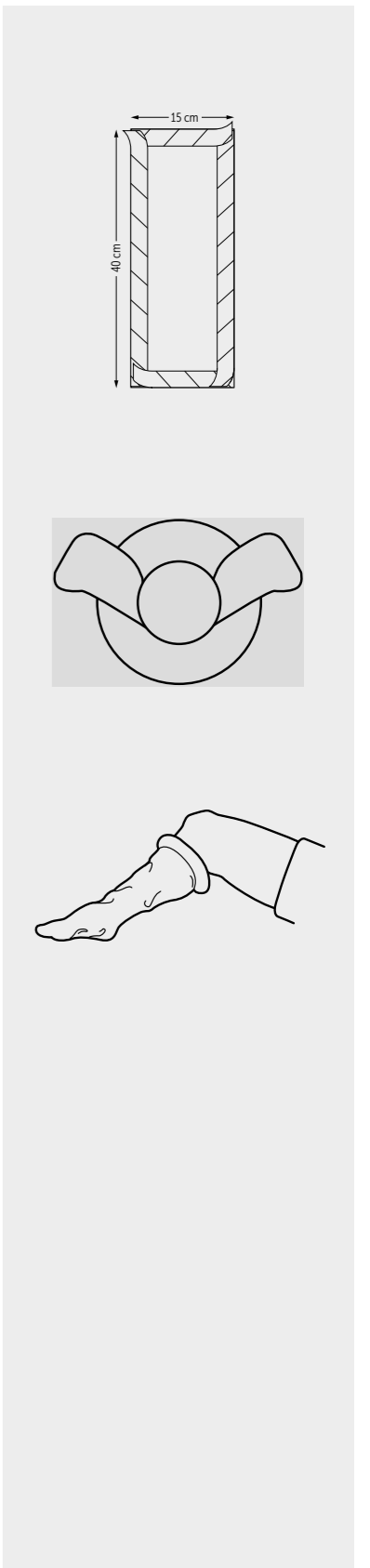
ACCESSORIES

PERINEAL COVER DRAPE

HALYARD BASICS* PERINEAL COVER DRAPE WITH TAPE, 15 X 40 CM

- Spunbond Film
- Positioning Tape

CODE	DESCRIPTION	ITEMS/CASE
89675	HALYARD BASICS* Perineal Cover Drape with Tape, Sterile	100
79697	HALYARD BASICS* Perineal Cover Drape with Tape, Non-Sterile	500



IMPERVIOUS STOCKINETTES

IMPERVIOUS STOCKINETTE, MEDIUM, 23 X 112 CM

CODE	DESCRIPTION	ITEMS/CASE
89811	Impervious Stockinette, Medium, Sterile	36

IMPERVIOUS STOCKINETTE, LARGE, 30 X 122 CM

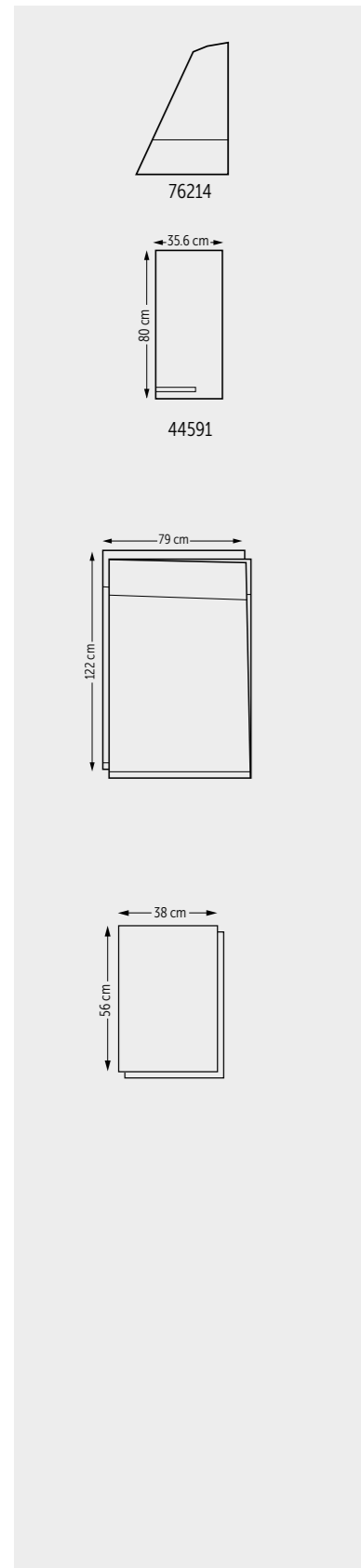
CODE	DESCRIPTION	ITEMS/CASE
89821	Impervious Stockinette, Large, Sterile	25

All codes in **bold** indicate a sterile product.

See Back Cover for Trademark Information

ACCESSORIES

ACCESSORIES



ARMBOARD COVERS

ARMBOARD COVER

- Cuff 15 cm

CODE	DESCRIPTION	ITEMS/PACKAGE	ITEMS/CASE
76214	Armboard Cover, 61 x 72 cm, Sterile	164 (2 covers/pouch)	
76300	Armboard Cover, 61 x 72 cm, Non-Sterile		166
44591	Armboard Cover, 35.5 x 80 cm, Non-Sterile	3000 (100 covers/poly bag)	

LEGGINGS

LEGGINGS, 79 X 122 CM, WITH 15 CM CUFF

CODE	DESCRIPTION	ITEMS/PACKAGE	ITEMS/CASE
89408	Leggings, Sterile Pair	2	52 (2x26)
79408	Leggings, Non-Sterile	-	70

TOWELS

ABSORBENT TOWELS, 38 X 56 CM

CODE	DESCRIPTION	ITEMS/PACKAGE	ITEMS/CASE
89701	Absorbent Towel, Sterile	2	200 (2x100)
79720	Absorbent Towel, Non-Sterile	-	1.000

All codes in **bold** indicate a sterile product.

See Back Cover for Trademark Information

TAPE STRIPS

TAPE STRIPS, 10 X 55 CM

CODE	DESCRIPTION	ITEMS/PACKAGE	ITEMS/CASE
89053	Tape Strips, Sterile	2	600
79053	Tape Strips, Non-Sterile	-	1.000

SLEEVES

SLEEVE, 15 X 59 CM

CODE	DESCRIPTION	ITEMS/PACKAGE	ITEMS/CASE
89791	Sleeve, Sterile	1	100

POUCHES

DIATHERMY POUCH, 38 X 41 CM

- 2 compartments

CODE	DESCRIPTION	ITEMS/PACKAGE	ITEMS/CASE
89945	Diathermy Pouch, Sterile	1	150
79945	Diathermy Pouch, Non-Sterile	-	220

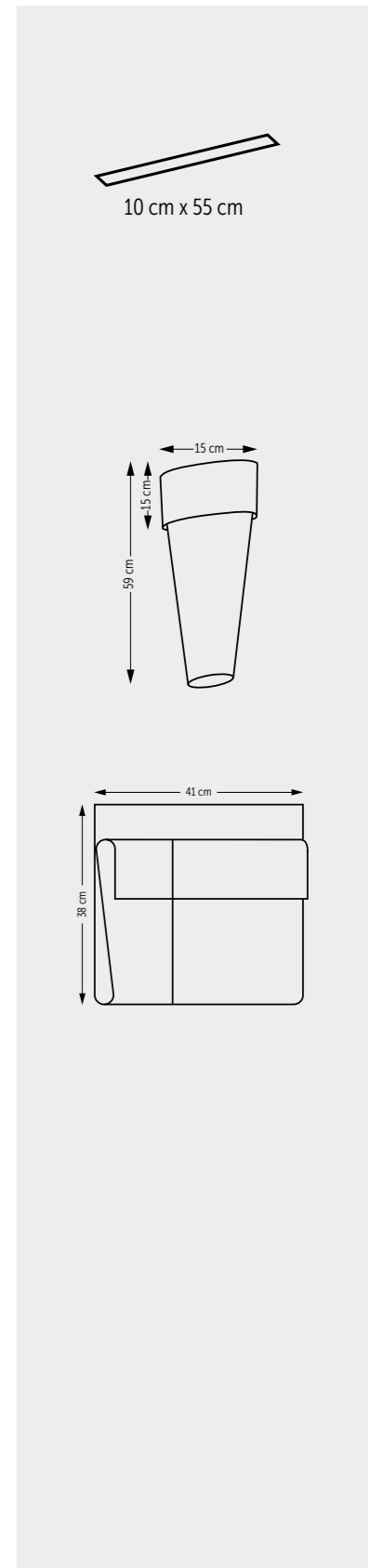
DIATHERMY POUCH, SMS HEAVY DUTY, 27 X 29 CM

- 2 Tape Strips at the Back

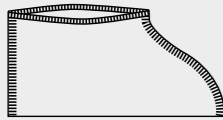
CODE	DESCRIPTION	ITEMS/PACKAGE	ITEMS/CASE
76270	Diathermy Pouch, SMS Heavy Duty, Sterile	1	200

All codes in **bold** indicate a sterile product.

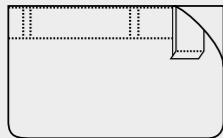
See Back Cover for Trademark Information



ACCESSORIES



76334



76340

FOOT COVERS

FOOT COVERS

CODE	DESCRIPTION	ITEMS/PACKAGE	ITEMS/CASE
76334	Foot Cover, Non-Sterile	1	300
76340	Foot Cover, Non-Sterile	1	400

MEDISHEETS

MEDISHEETS

- Polypropylene Spunbond Woven Cotton Fiber
- HD Polyethylene Underlayer
- Pulp

CODE	DESCRIPTION	ITEMS/CASE
QW030202	Medisheet Operating Table Cover, 102 x 228 cm, Non-Sterile	20
QW034602	Medisheet Operating Table Cover, 102 x 228 cm, with Lift Sheet, Non-Sterile	20
QW102302	Medisheet Operating Table Cover, 105 x 155 cm, Non-Sterile	50

All codes in **bold** indicate a sterile product.

See Back Cover for Trademark Information

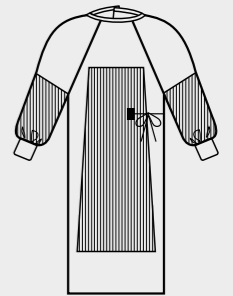
HALYARD BASICS*

HALYARD BASICS* SURGICAL GOWNS

HALYARD BASICS* FABRIC-REINFORCED SURGICAL GOWNS

- SMS Fabric
- Fabric-Reinforced Chest and Sleeves
- Overlapping Back
- Raglan Sleeves
- Low Linting Fabric
- Colour Coded Neck Binding: Green
- Sterile Gown packaged with 2 Towels

CODE	SIZE		LENGTH*	ITEMS/CASE	
	STERILE	NON-STERILE		STERILE	NON-STERILE
13815	-	X-Large, XX-Long	175 cm	32	-



* length back (neck to bottom)



Non-Reinforced Fabric



Fabric-Reinforced



High Performance Area

All codes in **bold** indicate a sterile product.

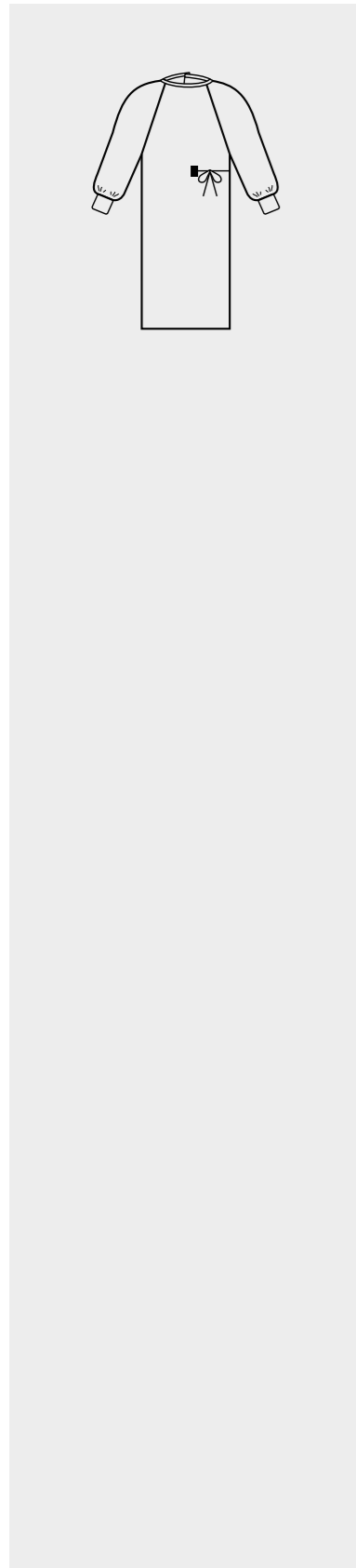
See Back Cover for Trademark Information

HALYARD BASICS*

HALYARD BASICS* SURGICAL GOWNS

EVOLUTION* 4

EVOLUTION* 4 SURGICAL GOWNS

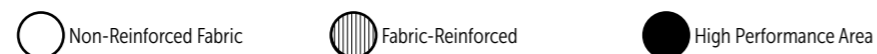


HALYARD BASICS* SURGICAL GOWNS

- SMS Fabric
- Overlapping Back
- Raglan Sleeves
- Low Linting Fabric
- Colour Coded Neck Binding: White
- Sterile Gown packaged with 2 Towels
- Meet EN13795 Standard Performance

CODE	SIZE		LENGTH*	ITEMS/CASE	
	STERILE	NON-STERILE		STERILE	NON-STERILE
13337	-	X-Large, XX-Long	175 cm	40	-
11783	33916	Large - Towel in Overwrap (handi-bin)	125 cm	40	440
11784	33917	X-Large - Towel in Overwrap (handi-bin)	131 cm	40	400
99294	32109	Large, X-Long - Towel in Overwrap (handi-bin)	145 cm	40	460
99295	32113	X-Large, X-Long - Towel in Overwrap (handi-bin)	150 cm	40	380
-	79284	Large (handi-bin)	125 cm	-	640
-	79294	Large, X-Long (handi-bin)	145 cm	-	560
-	79285	X-Large (handi-bin)	130 cm	-	560
-	79295	X-Large, X-Long (handi-bin)	150 cm	-	560

* length back (neck to bottom)



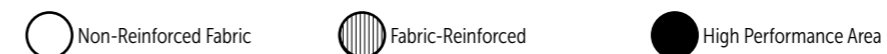
All codes in **bold** indicate a sterile product.

EVOLUTION* 4 FABRIC-REINFORCED SURGICAL GOWNS

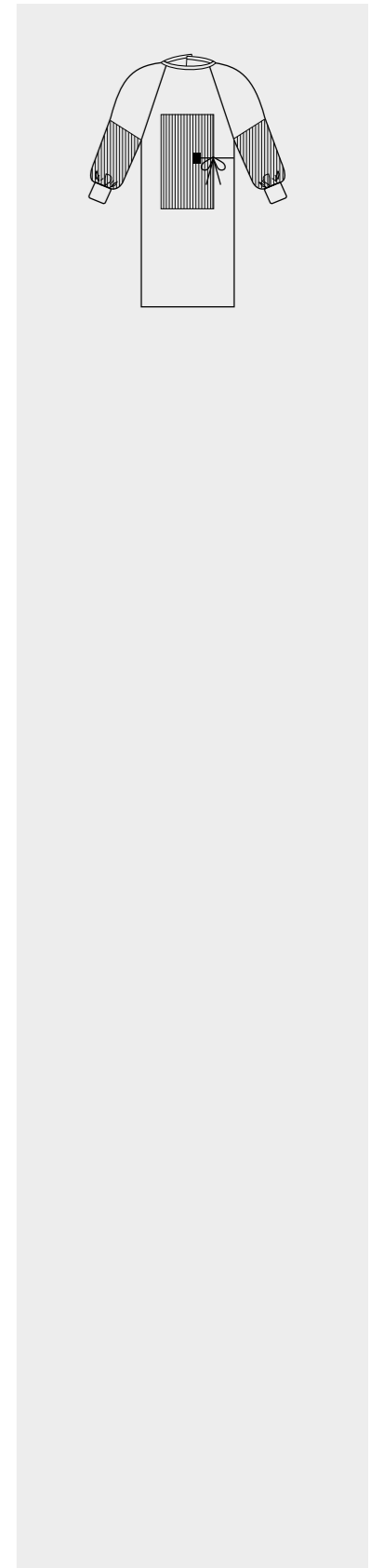
- EVOLUTION* 4 SMS Fabric
- Fabric-Reinforced Chest and Sleeves
- Raglan Sleeves
- Low Linting Fabric
- Colour Coded Neck Binding: Green
- Adjustable Neckline - Hook and Loop
- Sterile Gown packaged with 2 Towels
- Meet EN13795 Standard Performance

CODE	SIZE		LENGTH*	ITEMS/CASE	
	STERILE	NON-STERILE		STERILE	NON-STERILE
90112	78911	Large	123 cm	32	36
90113	78913	Large, X-Long	143 cm	30	54
90142	78921	X-Large	127 cm	30	36
90143	78923	X-Large, X-Long	148 cm	32	48
-	44763	Large, X-Long	145 cm	-	432
-	44764	X-Large, X-Long	151 cm	-	384

* length back (neck to bottom)



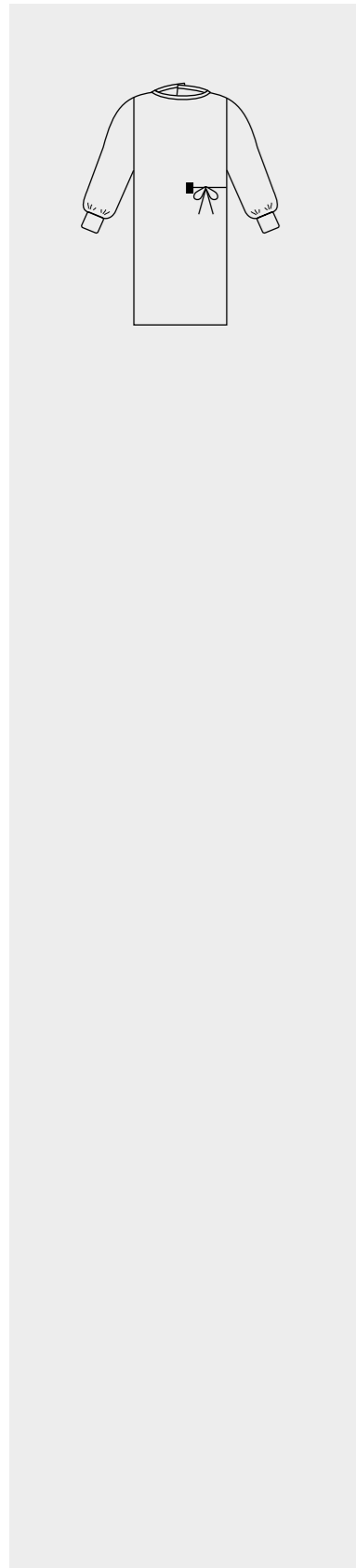
All codes in **bold** indicate a sterile product.



EVOLUTION* 4 SURGICAL GOWNS

ULTRA

ULTRA SURGICAL GOWNS

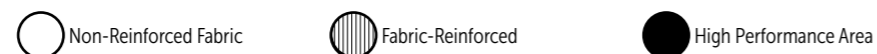


EVOLUTION* 4 SET-IN-SLEEVE SURGICAL GOWNS

- EVOLUTION* 4 SMS Fabric
- Set-In-Sleeves
- Low Linting Fabric
- Colour Coded Neck Binding: Yellow
- Adjustable Neckline – Hook and Loop
- Sterile Gown packaged with 2 Towels
- Meet EN13795 Standard Performance

CODE	SIZE		LENGTH*	ITEMS/CASE	
	STERILE	NON-STERILE		STERILE	NON-STERILE
90016	72978	Large	117 cm	36	640
90046	72988	X-Large	127 cm	32	640
90019	70391	Large, X-Long	132 cm	34	66
90049	70392	X-Large, X-Long	137 cm	34	60
-	79419	Large – Towel in Overwrap	111 cm	-	512
-	79434	X-Large – Towel in Overwrap	121 cm	-	448

* length back (neck to bottom)



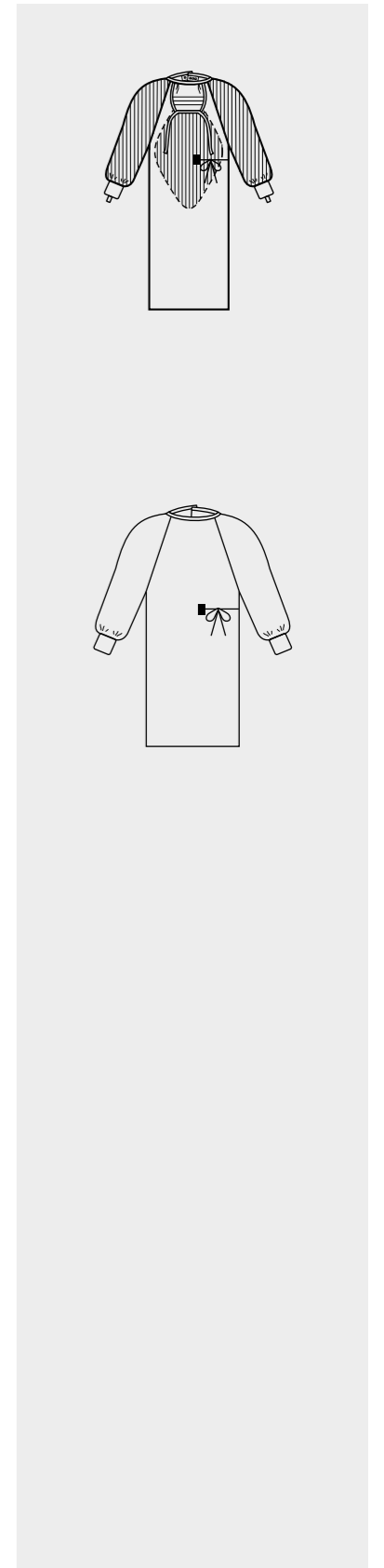
All codes in **bold** indicate a sterile product.

ULTRA FABRIC-REINFORCED SURGICAL GOWNS WITH NECK PROTECTION & THUMB LOOPS

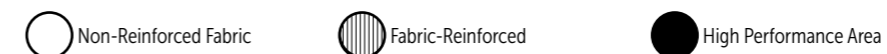
- SMS Fabric
- Extra Wide Fabric Reinforcements
- Raglan Sleeves
- Low Linting Fabric
- Colour Coded Neck Binding: Green
- Adjustable Neckline – Hook and Loop
- Neck Protection
- Thumb Loops
- Sterile Gown packaged with 1 Towel
- Meet EN13795 Standard Performance

CODE	SIZE		LENGTH*	ITEMS/CASE	
	STERILE	NON-STERILE		STERILE	NON-STERILE
90363	77337	Large, X-Long	143 cm	30	48
90373	77336	X-Large, X-Long	148 cm	28	36

ULTRA SURGICAL GOWNS



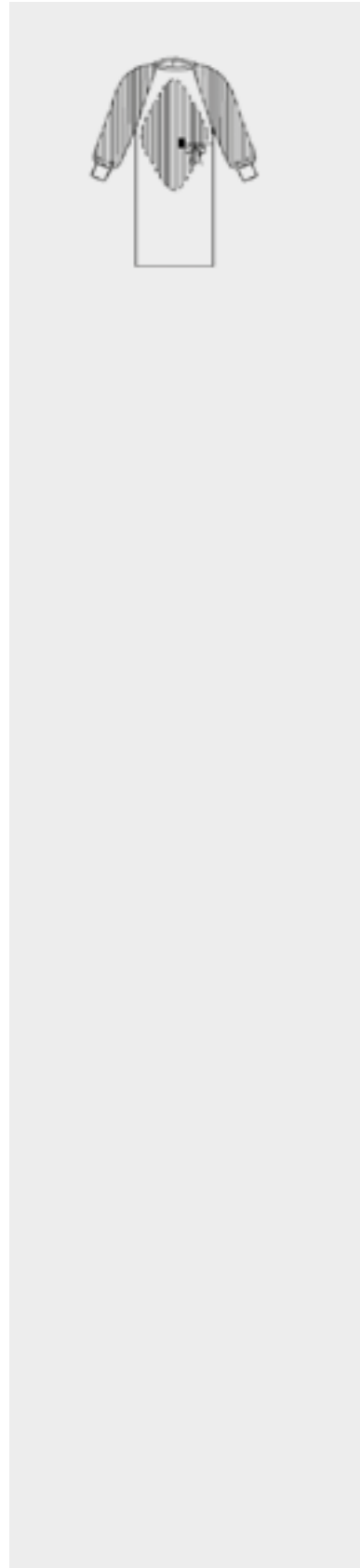
* length back (neck to bottom)



All codes in **bold** indicate a sterile product.

ULTRA SURGICAL GOWNS

ULTRA SURGICAL GOWNS

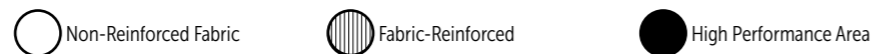


ULTRA FABRIC-REINFORCED SURGICAL GOWNS

- SMS Fabric
- Extra Wide Fabric Reinforcements
- Raglan Sleeves
- Low Linting Fabric
- Colour Coded Neck Binding: Green
- Adjustable Neckline – Hook and Loop
- Sterile Gown packaged with 1 Towel
- Meet EN13795 Standard Performance

CODE	SIZE		LENGTH*	ITEMS/CASE	
	STERILE	NON-STERILE		STERILE	NON-STERILE
95211	74911	LARGE	125 cm	30	32
95221	74921	X-LARGE	130 cm	28	28
-	74931	XX-LARGE	137 cm	-	28
95214	-	LARGE, X-LONG	145 cm	30	-
95224	77329	X-LARGE, X-LONG	150 cm	28	54

* length back (neck to bottom)

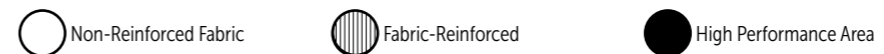


All codes in **bold** indicate a sterile product.

- SMS Fabric
- Low Linting Fabric
- Raglan Sleeves
- Colour Coded Neck Binding: Yellow
- Adjustable Neckline - Hook and Loop
- Generous Cut
- Sterile Gown packaged with 2 Towels (Gown **95131** packaged with 1 Towel)
- Meet EN13795 Standard Performance

CODE	SIZE		LENGTH*	ITEMS/CASE	
	STERILE	NON-STERILE		STERILE	NON-STERILE
-	47247	Small	117 cm	-	640
95113	-	Large	123 cm	32	40
95123	-	X-Large	128 cm	30	36
95131	71331	XX-Large	135 cm	28	36
95114	71626	Large, X-Long	138 cm	32	60
95124	71627	X-Large, X-Long	144 cm	30	48

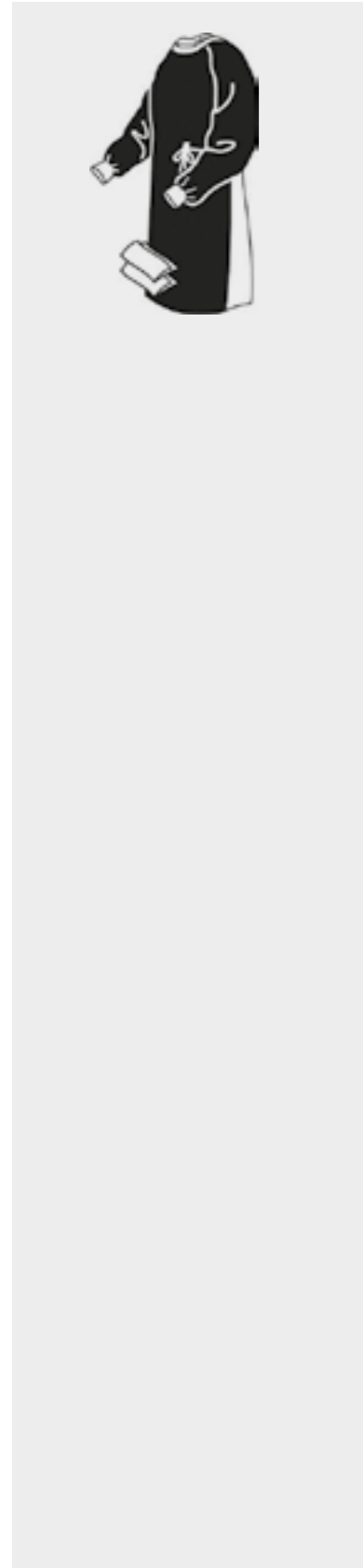
* length back (neck to bottom)



All codes in **bold** indicate a sterile product.

AERO CHROME*

AERO CHROME* SURGICAL GOWNS

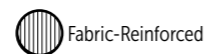
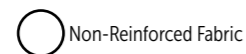


AERO CHROME* BREATHABLE PERFORMANCE SURGICAL GOWNS

- Red collar to identify a high performance gown
- Breathable back panel maximises airflow
- Distinctive colour makes it easy to choose the AAMI level 4 protection
- Excellent ignition resistance, with the highest rating for protection against ignition with surgical lasers
- Soft, light and breathable fabric keeps staff protected yet cool and comfortable
- Low linting to help reduce the risk of wound contamination and infection
- Meet the High Performance per EN13795-1-2019
- Meets AAMI Level 4 standard for surgical gowns, providing the highest level of fluid and microbial protection in the critical zones
- Sterile gown packaged with 2 towels

CODE	SIZE		LENGTH*	ITEMS/CASE	
	STERILE	NON-STERILE		STERILE	NON-STERILE
48395	48392NS	Large	125 cm	30	40
48397	48399NS	Large, X-Long	145 cm	30	36
48396	48393NS	X-Large	131 cm	28	32
48398	48400NS	X-Large, X-Long	151 cm	30	32
48402	48401NS	XX-Large, X-Long	137 cm	28	30
48403	48394NS	XX-Large	137 cm	28	32

* length back (neck to bottom)



All codes in **bold** indicate a sterile product.

OPERATING ROOM SAFETY PRODUCTS

SURGICAL PRODUCTS

LIGHT HANDLE COVERS

STANDARD LIGHT HANDLE COVER

- Ensures peace of mind for clinicians that the sterile field is protected
- Needs separate adaptor that fits specific operating room lights
- Phthalates-free
- Latex-Free
- PVC-free
- Sterile

CODE	DESCRIPTION	QUANTITY/CASE
AR-LHCB01	1 PACK	100
AR-LHCB02	2 PACK	120

A large range of Light Handle Adaptors for disposable light handle covers is available.

Please contact your account manager.

SKIN MARKER

- With flexible 15cm ruler
- Convenient packaging
- Non-toxic
- Non-tattooing
- Latex-free
- Phthalates-free
- PVC-free
- Sterile

CODE	DESCRIPTION	BOX QUANTITY	CASE QUANTITY
AR-26001	Standard Tip, blue barrel	25	150
AR-26002	Fine Tip, white barrel	25	150

ESMARK BANDAGE

- Advanced washing technology results in minimum powder
- Latex-free
- Phthalates-free
- PVC-free
- Sterile

CODE	SIZE	QUANTITY/CASE
AR-35309	7.5 x 275 cm	20
AR-35409	10 x 275 cm	20
AR-35609	15 x 275 cm	20
AR-35612	15 x 365 cm	20

TUBE POSITIONER

- Adhesive Backing
- Easily detachable by gloved personnel
- With integrated radiopaque to ensure x-ray detectability
- Latex-free
- Phthalates-free
- PVC-free
- Sterile

CODE	DESCRIPTION	QUANTITY/CASE
AR-30802	Tube Positioner	50

All codes in **bold** indicate a sterile product.

SAFETY PRODUCTS

NEEDLE COUNTERS

STANDARD NEEDLE COUNTER

- Surface magnet for safe storage
- Foam for secure needle parking
- Clearly markings on magnets and foam
- Simple latch opening mechanism
- High contrast numbers
- Latex-free
- Phthalates-free
- PVC-free
- Sterile

CODE	DESCRIPTION	COUNTS	CAPACITY	QUANTITY/CASE
AR-250101	Double Magnet	20	40	100
AR-250103	Single Magnet, Clear top	10	20	100
AR-250104	Double Magnet, Horizontal	30	60	100
AR-250401	Foam Block/Magnet	20	40	100
AR-250802	Foam Strip	15	15	100
AR-250504	Foam Adhesive	40	80	50

PREMIUM NEEDLE COUNTER

- Including blade removal feature
- Overlapping box edges
- Automatic passive locking latch
- Three interlocking hinges
- Latex-free
- Phthalates-free
- PVC-free
- Sterile

CODE	DESCRIPTION	COUNTS	CAPACITY	QUANTITY/CASE
AR-251104	Double Magnet	30	60	100
AR-251108	Double Magnet	60	120	108
AR-251401	Foam Block/Magnet	20	40	80
AR-251502	Foam Block/Adhesive	20	40	80
AR-251701	Magnet Foam/strips	15	30	100

INSTRUMENT PADS

MAGNETIC INSTRUMENT PAD

- Non-slip foam backing
- Special magnetic surface
- Latex-free
- Phthalates-free
- PVC-free

CODE	DESCRIPTION	QUANTITY/CASE
AR-25001	25 x 40cm	30

All codes in **bold** indicate a sterile product.

ENDOSCOPY, LAPAROSCOPY & ELECTROSURGICAL PRODUCTS

ELECTROSURGICAL TIP CLEANER

- Coated Scratch Pad
- Extended adhesive peel-off backing
- Easy removal by gloved staff
- Facilitates quick and easy instrument cleaning
- Latex-free
- Phthalates-free
- PVC-free
- Sterile

CODE	DESCRIPTION	QUANTITY/CASE
AR-32200	Cautery Tip Cleaner, 5 x 5cm	300

ANTI-FOG SOLUTION KIT

- Bottle capacity: 6ml
- Adhesive foam application pad
- X-ray detectable
- Latex-free
- Phthalates-free
- PVC-free
- Sterile

CODE	DESCRIPTION	QUANTITY/CASE
AR-7304412	Anti-fog Solution Kit, Sterile	48

All codes in **bold** indicate a sterile product.

TEMPERATURE MANAGEMENT

PATIENT WARMING BLANKETS

- Three Layer Warmth
- Shrink-wrapped
- Cost-Effective, electricity free
- For reflective blanket - green side to be placed towards the body
- Latex-free
- Phthalates-free
- PVC-free
- Non-Sterile

CODE	DESCRIPTION	QUANTITY/CASE
AR-4115175	Standard Patient Warming Blanket/Large 130x 190 cm	50
AR-480161	Reflective Warming Blanket/Large 122x 213 cm	50

All codes in **bold** indicate a sterile product.

See Back Cover for Trademark Information

HOLLOWARE MULTIPURPOSE BOWLS, BASINS AND TRAYS

PLACENTA BASINS

- Graduated in ml, cc and oz
- Optional lid available
- ETO Sterilisable
- No Latex
- No Phthalates
- Lot Traceable

CODE	DESCRIPTION	QUANTITY/CASE
AR-3000	Basin Placenta, 3000 ml	100
AR-9300	Lid Basin Placenta	100

ESMESIS BASIN

- Flexible Design
- Burr-free Edges
- Smooth round Edges
- Graduated in ml, cc and oz
- ETO Sterilisable
- No Latex
- No Phthalates
- Lot Traceable

CODE	DESCRIPTION	QUANTITY/CASE
AR-0700	Basis Emesis, 700 ml	320

RING BASINS

- Fits all standard ring stands
- AR-6000 graduated in ml, cc and oz
- AR-7000 graduated in cc
- ETO sterilisable
- No Latex
- No Phthalates
- Lot Traceable

CODE	DESCRIPTION	QUANTITY/CASE
AR-6000	Basin Ring, 6000 ml	60
AR-7000	Basin Ring, 6500 ml	38

All codes in **bold** indicate a sterile product.

See Back Cover for Trademark Information

Holloware Multipurpose Bowls, Basins and Trays

HOLLOWARE MULTIPURPOSE BOWLS, BASINS AND TRAYS

MULTIPURPOSE TRAYS

- Flexible design
- Burr-free edges preventing particle shedding
- Thick corners preventing cracking or breaking
- 'Clean' Product, no wiping necessary
- ETO sterilisable
- No Latex
- No Phthalates
- Lot Traceable

CODE	DESCRIPTION	SIZE	QUANTITY/CASE
AR-0541	Tray Shallow Small	11 x 13 x 25 cm	600
AR-0542	Tray Deep Small	11 x 13 x 5 cm	600
AR-0904	Tray 2 Compartment	24 x 11 x 4.5 cm	300
AR-0910	Tray 3 Compartment	25 x 24 x 4.9 cm	150
AR-0911	Tray J-Wire	27 x 22 x 5 cm	150
AR-0952	Tray Deep Large	24.5 x 14 x 5 cm	300
AR-1115	Tray Platform Small	28 x 38 x 2.5 cm	80
AR-1219	Tray Mayo	43 x 28 x 1.5 cm	40
AR-1416	Tray Platform Flat	38 x 24 x 2.5 cm	50
AR-1622	Tray Mayo Large	52 x 38 x 2 cm	30

BOWLS

- Graduated in ml, cc and oz
- Optional lids available
- ETO sterilisable
- No Latex
- No Phthalates
- Lot Traceable

CODE	DESCRIPTION	QUANTITY/CASE
AR-0250	Sponge Bowl, 250 ml	600
AR-9025	Lid Bowl, 250 ml	300
AR-0500	Sponge Bowl, 500 ml	390
AR-1000	Sponge Bowl, 1000 ml	340
AR-9100	Lid Bowl, 1000 & 1500 ml	160
AR-1500	Sponge Bowl, 1500 ml	320
AR-2500	Sponge Bowl, 2500 ml	160
AR-9250	Lid Bowl, 2500ml & Bowl G/W	120
AR-GW2000CT	Guidewire Bowl, 2500 ml	160

All codes in **bold** indicate a sterile product.

See Back Cover for Trademark Information

HOLLOWARE MULTIPURPOSE BOWLS, BASINS AND TRAYS

RECTANGULAR BASIN

- ETO Sterilisable
- No Latex
- No Phthalates
- Lot Traceable

CODE	DESCRIPTION	QUANTITY/CASE
AR-8000	Rectangular Basin 8000ml	50

MEDICINE CUPS

- Various colours available
- Tapered design for stacking
- Graduated in cc and oz
- ETO Sterilisable
- No Latex
- No Phthalates
- Lot Traceable

CODE	DESCRIPTION	COLOUR	QUANTITY/CASE
AR-0060	Cup medicine, 60 ml	Clear	1150
AR-0060-BL	Cup medicine, 60 ml	Blue	1150
AR-0060-RD	Cup medicine, 60 ml	Red	1150
AR-0060-GN	Cup medicine, 60 ml	Green	1150

All codes in **bold** indicate a sterile product.

See Back Cover for Trademark Information

Holloware Multipurpose Bowls, Basins and Trays

INDEX BY CODE

CODE	PAGE	CODE	PAGE	CODE	PAGE	CODE	PAGE
11783	110	42228	103	48397	116	76346	79
11784	110	42233	103	48398	116	76353	65, 71
13227	44, 45, 60	42302	69, 103	48399NS	116	76354	89
13228	58	42309	103	48400NS	116	76356	19, 84, 88
13231	26	42312	49, 52, 76, 84, 103	48401NS	116	76357	84, 88
13232	48, 50, 58	42313	49, 52, 76, 84, 103	48402	116	76358	102
13233	49, 58	42345	45, 52, 66, 81, 84, 85, 103	48403	116	76361	16, 17, 26, 98
13294	55			59705	34	76363	11, 16, 17, 29, 51, 98
13296	89	42365	66, 81, 103	59706	48	76364	17, 42
13337	110	42366	103	59707	44	76365	11, 13, 32
13815	109	42367	103	59709	19	76366	13, 30
14007	102	42409	103	59710	79	76367	13, 33
14364	23	42428	9, 10, 11, 13, 19, 20, 21, 44, 45, 47, 48, 50, 54, 64, 65, 66, 67, 68, 73, 74, 80, 96, 99, 103	70391	112	76368	27, 51, 54
14365	23			70392	112	76372	103
29148	95			70990	20	76374	20
29149	95			71331	115	76375	62
29219	59	42446	22, 103	71626	115	76377	21, 43
29220	59	42447	13, 73, 103	71627	115	76378	84, 88
29221	63	42448	68, 103	72978	112	76380	21, 40
29222	58, 59	42449	53, 103	72988	112	76382	93, 101
29223	59	42451	12, 13, 16, 17, 19, 20, 44, 48, 49, 51, 53, 54, 55, 81, 84, 85, 97, 98, 103	74911	114	76384	68, 72
29223NS	58			74921	114	76386	92
29224	63			74931	114	76393	79
29225	92	42480	103	76209	81	76394	64, 65, 66, 101
29226	92	42481	103	76214	76, 106	76396	83
29229	91	44591	106	76216	20	76492	19, 37
29231	91	44763	111	76226	45	76681	92
32109	110	44764	111	76234	81	76885	74, 75
32113	110	47247	115	76243	22	76888	67, 70
33412	62	47348	14, 18, 45, 46, 47	76246	49	77329	114
33415	62	47520	103	76248	85	77336	113
33916	110	47614	35, 54	76249	52	77337	113
33917	110	47616	35, 54	76263	21	77353	65, 71
42217	68, 103	47618	35	76270	107	77382	93, 101
42222	9, 10, 11, 13, 19, 20, 21, 44, 45, 47, 48, 50, 54, 64, 65, 66, 67, 68, 73, 74, 80, 96, 99, 103	47622	35	76271	52	77450	44, 45, 60
42224	12, 16, 20, 49, 51, 53, 54, 55, 81, 84, 85, 97, 103	47623	35	76291	19, 37	77452	102
42225	103	47631	35	76293	38	77454	64
42226	103	48392NS	116	76300	76, 106	77455	64
		48393NS	116	76321	78	77466	83
		48394NS	116	76323	34, 81	77491	65
		48395	116	76334	108	77492	66
		48396	116	76340	84, 108	77707	79

INDEX BY CODE

CODE	PAGE	CODE	PAGE	CODE	PAGE	CODE	PAGE		
77717	20, 99	79011	12, 31, 97	79345	53, 61	79704	89		
77723	62	79012	12, 32, 97	79346	53, 61	79705	90		
77744	76	79053	9, 10, 11, 12, 13, 17, 20, 44, 45, 48, 49, 50, 51, 52, 65, 84, 85, 96, 97, 98, 99, 107	79347	52	79706	90		
77748	84			79348	52, 55, 56	79720	9, 10, 11, 12, 13, 16, 17, 19, 20, 44, 48, 52, 54, 55, 64, 65, 66, 67, 68, 69, 73, 74, 76, 84, 85, 96, 97, 98, 99, 106		
77749	84	79063	91	79351	80, 81, 82	79731	38, 68, 69		
77760	76	79070	60	79356	78	79741	69, 99, 103		
77769	17	79075	83	79360	19, 29, 52, 85	79742	74, 75		
77772	13	79102	47, 50, 68, 76, 85	79363	27, 52	79744	79		
77776	92	79109	85, 91	79368	92	79745	20, 24		
77779	68	79122	19, 45, 49	79375	29	79749	91		
77780	19	79141	48	79408	66, 68, 69, 73, 106	79782	34		
77781	44	79206	22, 100	79411	66, 104	79783	37, 74, 99		
77783	45	79207	22, 100	79415	104	79784	24		
77784	50	79208	22, 100	79419	112	79787	14, 30		
77785	50	79209	23	79430	80, 81, 82	79790	14, 18, 33		
77790	48	79214	9, 30, 96	79434	112	79861	50		
77792	21	79215	9, 33, 96	79453	19, 87	79881	51, 52		
77794	16, 98	79216	10, 32	79466	87	79945	13, 76, 85, 107		
77797	51	79217	10, 30	79492	60	79970	45		
77798	48	79218	10, 33	79528	64, 66, 70	79973	20, 76		
77823	80	79222	43	79529	64, 65, 70	79983	45		
77853	17, 98	79223	43	79532	18, 27	86357	84, 88		
77865	66	79236	42, 101	79540	73	88100	12, 97		
77870	86	79265	62	79543	82	88103	12, 97		
77873	78	79267	51, 63	79545	73, 75	88113	16		
77880	13	79273	44, 59	79551	69	88183	53		
77881	47	79275	54, 56	79582	89	88203	49		
77883	102	79278	49	79583	93	88213	51		
77885	74	79279	47, 48, 57	79584	104	88223	80		
77888	67	79282	40	79601	45, 102	88233	55		
77890	67	79284	110	79602	102	88243	54		
77892	85	79285	110	79603	9, 10, 11, 12, 13, 16, 17, 19, 20, 21, 48, 49, 50, 51, 52, 53, 54, 55, 65, 66, 67, 80, 84, 85, 96, 97, 98, 102	88253	53		
78660	56	79293	22, 36, 37	79294	110	79692	23	88354	65
78669	14, 18, 20, 44, 45, 46, 47, 74, 103	79294	110	79295	110	79693	24	88511	68
78911	111	79295	110	79304	76, 77	79694	35, 44, 45, 46	88521	68
78913	111	79304	76, 77	79305	77	79695	60	88551	69
78921	111	79313	36, 84	79330	49, 51, 55, 56	79696	35	88611	73
78923	111	79333	53, 54, 57	79343	37	79697	105	88621	73
78961	11, 13, 54, 84					79699	36, 69		
78965	38								
79010	12, 33, 97								

INDEX BY CODE

CODE	PAGE	CODE	PAGE	CODE	PAGE	CODE	PAGE
88672	102	89293	36	89677	36, 69	95224	114
88673	14, 18, 20, 44, 45, 46, 74, 103	89301	26	89678	34	99294	110
88760	11	89304	76, 77	89679	37, 74, 99	99295	110
88762	9, 96	89305	77	89680	24	AR-0060	123
88763	9, 96	89311	27, 52	89681	74	AR-0060-BL	123
88764	10	89313	36, 84	89684	44	AR-0060-GN	123
88765	10	89331	49, 51, 55, 56	89686	20	AR-0060-RD	123
88767	11	89343	37	89687	46	AR-0250	122
88900	14	89345	53, 61	89701	9, 10, 11, 12, 13, 16, 17, 19, 20, 44, 48, 52, 54, 55, 64, 65, 66, 67, 68, 69, 73, 74, 76, 84, 85, 96, 97, 98, 99, 106	AR-0500	122
88901	14	89346	53, 61	89704	89	AR-0541	122
88902	18	89347	52	89705	90	AR-0542	122
88904	18	89348	52, 55, 56	89706	90	AR-0700	121
88907	47	89352	80, 81, 82	89791	107	AR-0904	122
88908	47	89353	34, 81	89811	49, 105	AR-0910	122
88910	45	89363	22, 37	89821	51, 53, 105	AR-0911	122
88911	69	89368	92	89861	50	AR-0952	122
89010	82	89381	19, 29, 52, 85	89881	51, 52	AR-1000	122
89048	85, 91	89408	66, 68, 69, 73, 106	89945	13, 76, 85, 107	AR-1115	122
89053	9, 10, 11, 12, 13, 17, 20, 44, 45, 48, 49, 50, 51, 52, 65, 84, 85, 96, 97, 98, 99, 107	89411	68, 104	90012	45	AR-1219	122
89062	83	89413	104	90013	20, 76	AR-1416	122
89070	60	89415	104	90016	112	AR-1500	122
89101	47, 50, 68, 76, 85	89452	87	90019	112	AR-1622	122
89121	19, 45, 49	89471	90	90043	45	AR-2500	122
89204	75	89492	60	90046	112	AR-3000	121
89206	22, 100	89528	64, 66, 70	90049	112	AR-6000	121
89207	22, 100	89529	64, 65, 70	90112	111	AR-7000	121
89208	22, 100	89543	82	90113	111	AR-8000	123
89209	23	89583	93	90142	111	AR-9025	122
89236	42, 101	89584	69, 104	90143	111	AR-9100	122
89251	42	89601	45, 102	90363	113	AR-9250	122
89265	62	89603	9, 10, 11, 12, 13, 16, 17, 19, 20, 21, 48, 49, 50, 51, 52, 53, 54, 55, 65, 66, 67, 80, 84, 85, 96, 97, 98, 102	90142	111	AR-9300	121
89267	51, 63	89632	69, 99, 103	90143	111	AR-25001	118
89271	44, 59	89670	23	90373	113	AR-26001	117
89275	54, 56	89671	24	95113	115	AR-26002	117
89276	58	89672	35, 44, 45, 46	95114	115	AR-30802	117
89278	49, 58	89673	46, 60	95123	115	AR-32200	119
89279	47, 48, 57	89674	35	95124	115	AR-35309	117
89282	40	89675	105	95131	115	AR-35409	117
89291	57	89676	37	95211	114	AR-35609	117
				95214	114	AR-35612	117
				95221	114	AR-250101	118
						AR-250103	118

INDEX BY CODE

CODE	PAGE	CODE	PAGE	CODE	PAGE	CODE	PAGE
AR-250104	118	K793214	27	K891027	24		
AR-250401	118	K793215	27	K892031	25		
AR-250504	118	K793216	28	K892032	26		
AR-250802	118	K793219	28	K892033	25		
AR-251104	118	K793462	61	K892034	25		
AR-251108	118	K793630	27	K892035	25		
AR-251401	118	K793703	29	K892036	25		
AR-251502	118	K794530	87	K892245	41		
AR-251701	118	K795610	31	K892246	41		
AR-480161	120	K795613	31	K893217	28		
AR-4115175	120	K795614	31	K893462	61		
AR-7304412	119	K795615	31	K894530	87		
AR-GW2000CT	122	K795711	33	K897065	90		
AR-LHCB01	117	K795805	32, 99	K897213	71		
AR-LHCB02	117	K795806	32	K897215	71		
K103502	102	K795830	94	K897312	38		
K103600	102	K796011	102	K897320	36		
K768550	74	K796012	102	K897321	36		
K790790	26	K796710	39	K897322	36		
K791020	36	K797064	94	QW030201	108		
K791022	34	K797065	90	QW034601	108		
K791023	34	K797067	93	QW102301	108		
K791024	34	K797160	93				
K791025	34	K797162	94				
K791026	34	K797213	71				
K791027	24	K797215	71				
K791412	29	K797310	38				
K792015	25, 88	K797320	36				
K792031	25	K797321	36				
K792032	26	K797322	36				
K792033	25	K887603	14				
K792034	25	K887621	15				
K792035	25	K887623	15				
K792036	25	K887625	15				
K792130	32	K887626	16				
K792245	41	K891012	39				
K792246	41	K891013	39				
K792610	23	K891022	34				
K793043	77	K891023	34				
K793050	78	K891024	34				
K793053	78	K891025	34				
K793210	57	K891026	34				

Halyard, now part of the Owens & Minor family, is focused on advancing health and healthcare by delivering clinically-superior infection prevention and surgical solutions. Halyard sells its recognised sterilisation wrap, facial protection, gloves, protective apparel, surgical drapes and gowns in more than 100 countries, and holds leading market positions across the portfolio. For more information, visit www.halyardhealth.co.uk.

For more information, please contact your Halyard Customer Care Team:

Customer Service Benelux

Customerservice.bnl@hyh.com

Belgium	Tel: 0800 89013	Fax: 0800 11733
Netherlands	Tel: 0800 0201733	Fax: 0800 0227549
Luxemburg	Tel: 0800 85266	Fax: 0800 26656

Customer Service Export

customerservice.export@hyh.com

Tel: +32 2 585 51 14 - Fax: +32 2 897 00 95

Customer Service UK & IE

Customerservice.uk.ie@hyh.com

Tel: 08000 85 82 04 - Fax: 08000 66 91 06

Customer Service South Africa

customerservice.za@hyh.com

Tel: 080 11 11 332 - Fax: 080 11 11 335

Kundendienst Deutschland – Österreich - Schweiz

kundendienst@hyh.com

Deutschland	Tel: 0800 0713552	Fax: 0800 1006814
Österreich/Schweiz	Tel: +32 2 5855114	Fax: +32 2 8970095

Customer Service France

serviceclients@hyh.com

Tel: 0805 54 27 51 - Fax: 0805 37 36 12

